

# Air Hand Dryer AK2630T

---



2630TSM005-V2.1

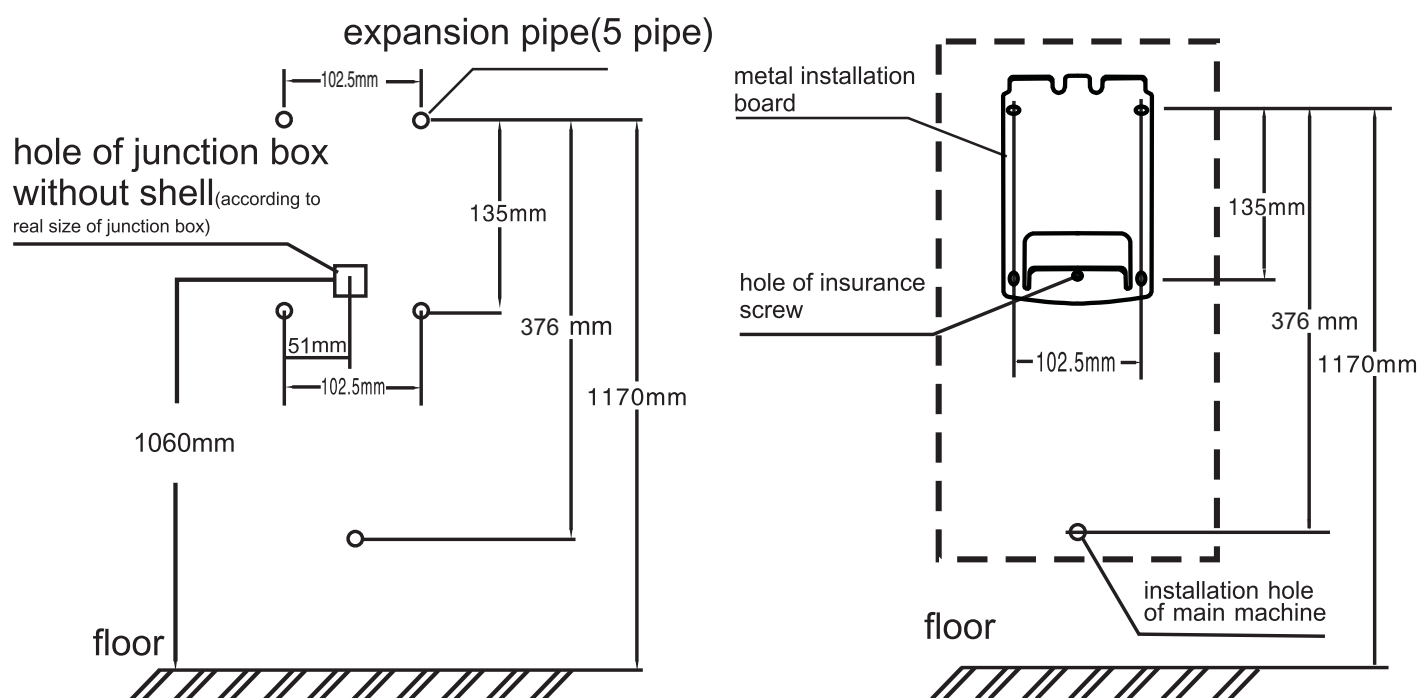
# Precautions before Installing

## ■ Do not install in the following places (otherwise may cause malfunction).

- Place with temperature below  $-10^{\circ}\text{C}$  or over  $40^{\circ}\text{C}$
- Place directly sprinkled by water
- Place with direct sunlight, strong light
- Place easy for condensation
- Place filled with corrosive, oxidizing and reducing gas
- Place with altitude over the range of 0 ~ 2000m

## ■ Installation location

- The following picture shows the recommended location.  
(If there is floor or obstacles below the hand dryer, the distance between machine and floor or obstacles should be at least 150mm.)
- Keep the right side of dryer away from mirror or wall, for the water droplets may splash out when you dry hands. ( the distance should be 100mm above )
- Please avoid the place easy to meet people and easy to encounter doors.
- Please select flat wall to install this product.

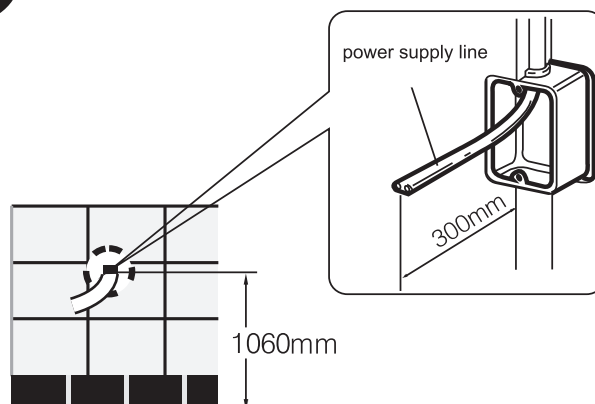


- Power cord should be  $1.5\text{mm}^2\text{--}2.0\text{mm}^2$

# Install method

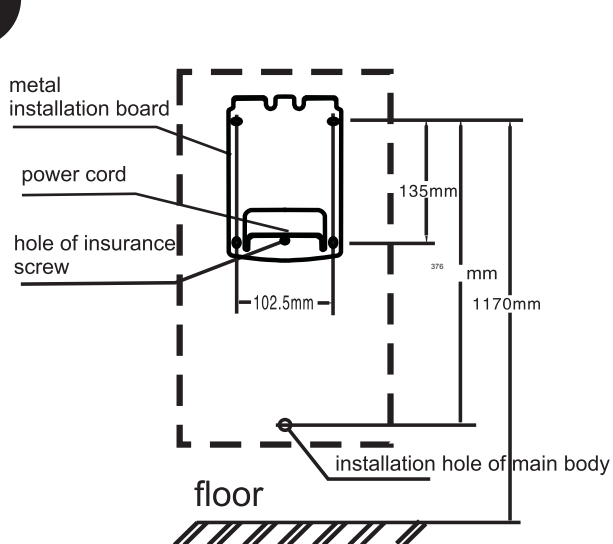
## 1 connect the line

- When installing dryer without junction box, you should install above the right side of dryer two-hole standard outlet corresponds to hand dryer. The distance should be 20-50cm.
- Please embed junction box without cover in the installation location when directly connecting power cord is needed. Otherwise, power cord will be forced out of body and can not be properly installed.



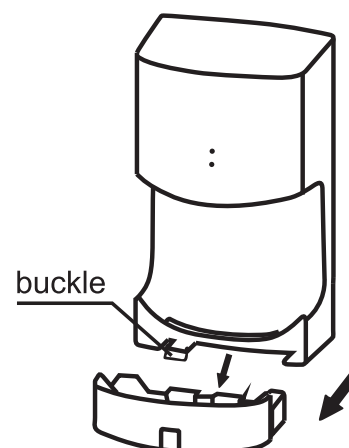
## 2 Place metal board

- Fix the metal board on wall with screws according to size.
- This machine provides a long power cord, please cut off the extra power cord as you need.
- Pull out power cord and connect it with power cord of hand dryer as you can see from right map.
- ❗ Wire connection must be based on the principle, that live wire connects with brown wire, null line connects with blue line, and individually wrapped with insulation tape to ensure no leakage.



## 3 Demolish the water disposal box

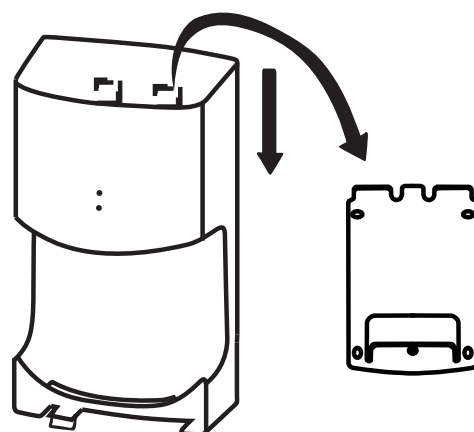
- Use one hand slightly open the buckle a little, while another hand pulls out water disposal device.



4

### Installation of body

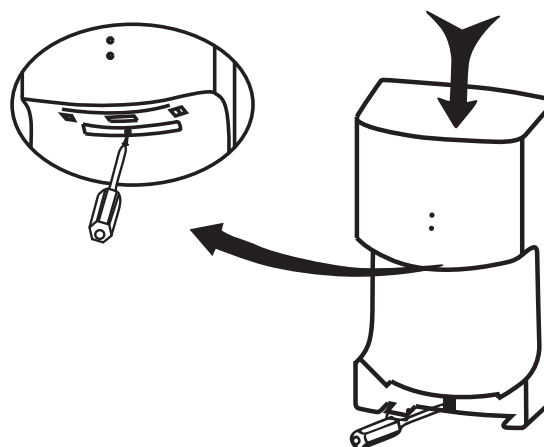
- Visual orientation, and make main body hang-  
ing on the metal plate on wall.



5

### Fix the body

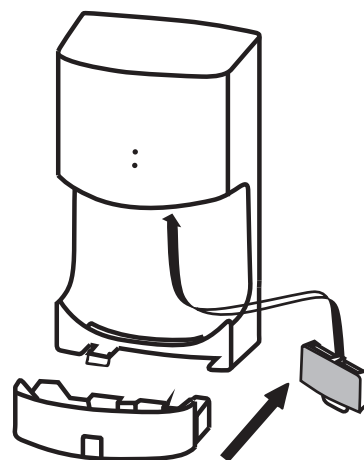
- Do as map indicated , press slightly on the  
body .
- And then pull out filter box ,aiming at hole of  
insurance screw use cross screwdriver to turn  
on one screw at an angle of 45 degree, until  
the hand dryer is fixed firmly.



6

### Install filter box and water disposal pan

- Slowly advancing filter as map indicates.  
Push water disposal pan to the end.



# Test run

	Steps	Confirm information	Check & Notice
1	Shake the machine gently	The machine is installed firmly without shaking	It will occur shaking and noisy when the machine doesn't install firmly
2	Confirm the power and voltage	Please use the rated power supply	It will burn out machines or cause human accidents if the power use incorrect
3	Switch on the power	Close external power supply switch or insert the power plugs	Power socket must be match the machine plug
4	Put the power switch to [ON]	The power indicator light and the power switch indicator light bright Switch on the power after put on the drain tank	Please check the power when the indicator light not bright
5	Slid in your hands to drying	High speed wind blow out It can try to work after the power switch on 5 s	Please confirm whether your hands are far away from the sensor parts if there is no wind blowing out
6	Put the heating switch to [ON]	The heating switches indicator light bright when working and there is high speed hot wind blow out	It can change the hot and cold wind when the machine is working

