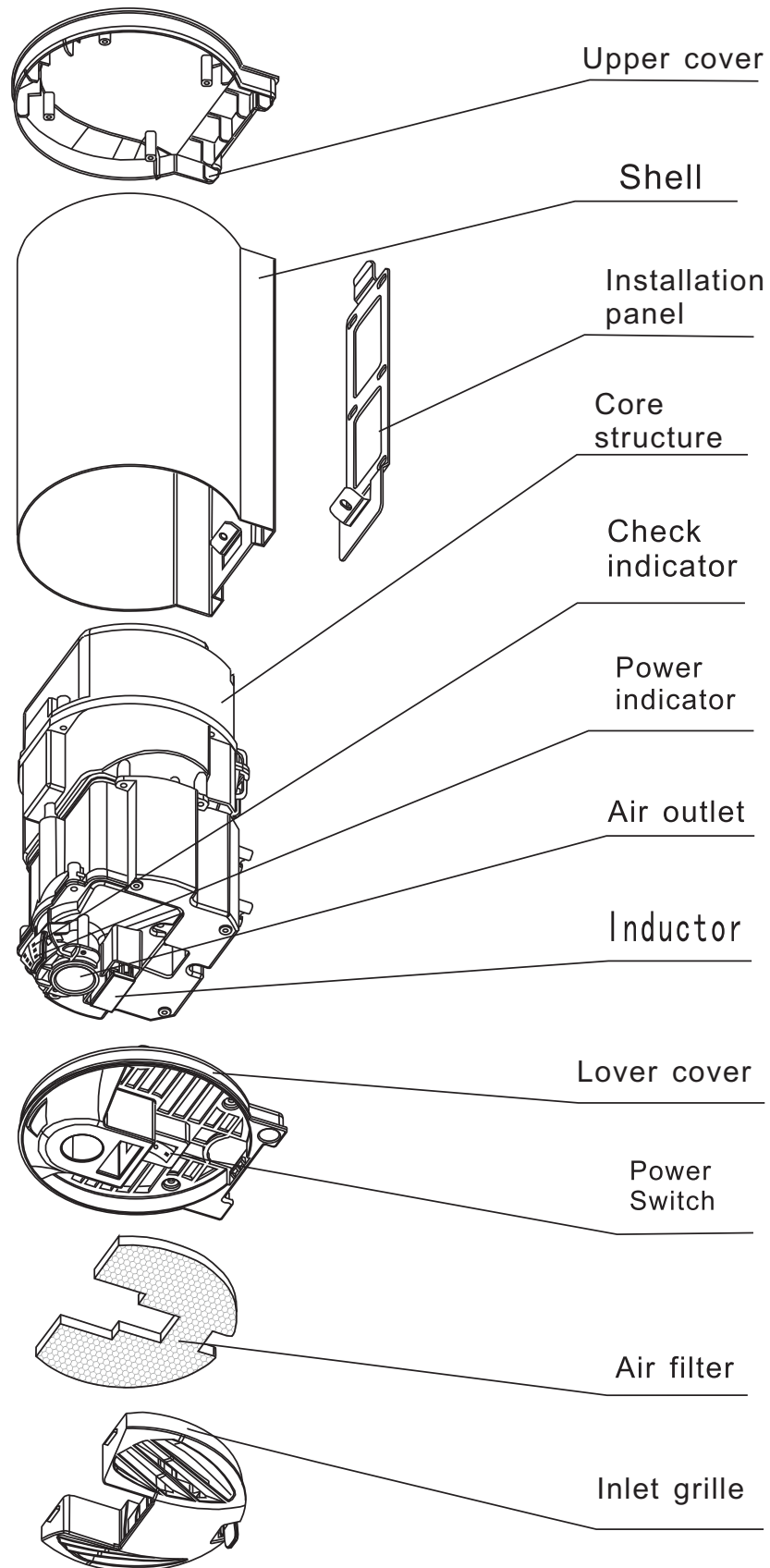


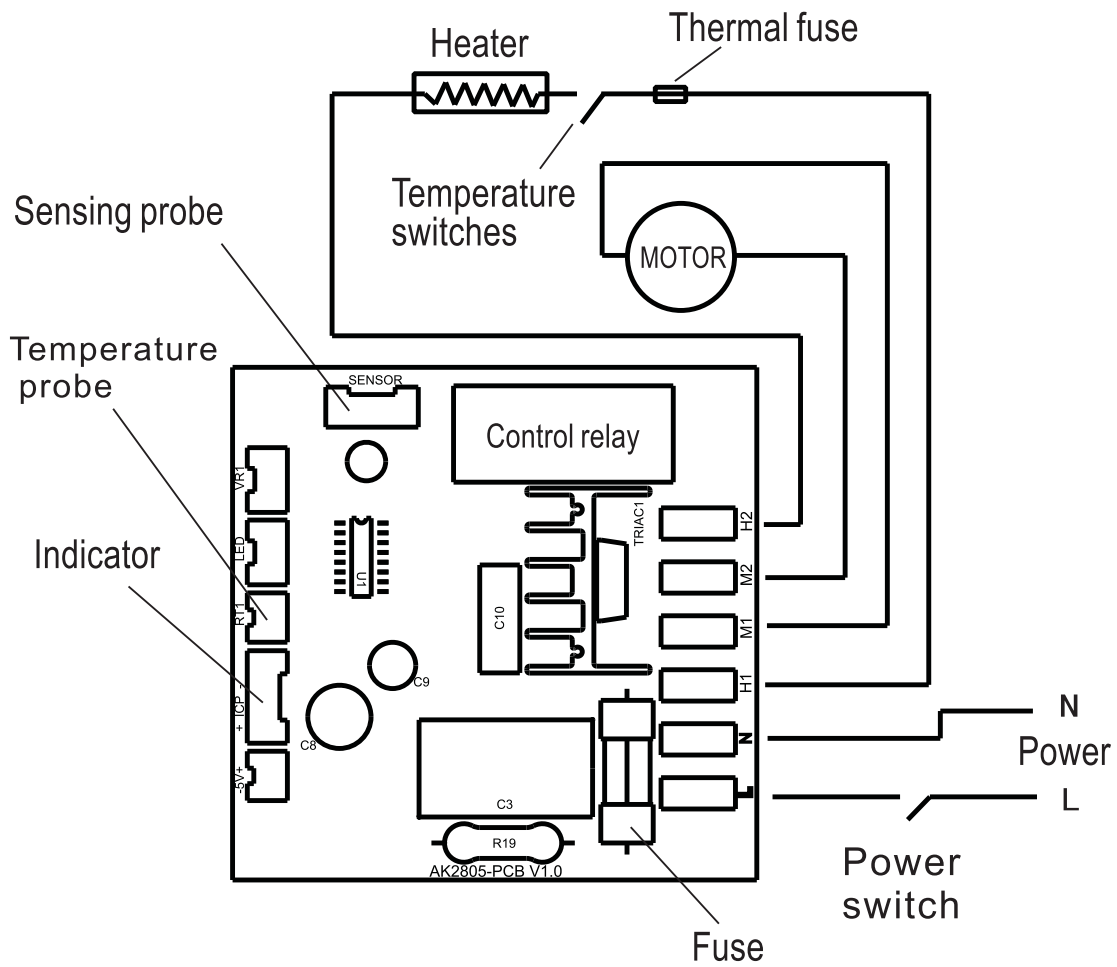




# Name of each part



# Electrical diagram

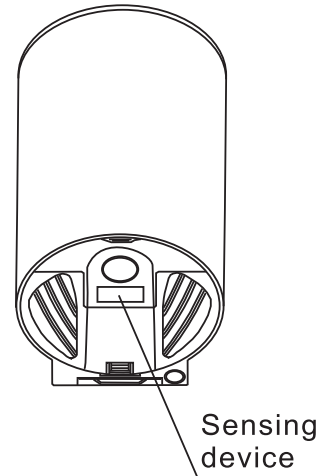


# Daily use and maintenance

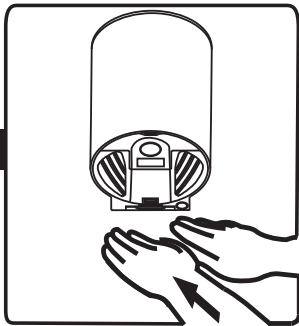
## External maintenance

- Screw with a soft dry cloth or towel Sassafra. Please use neutral detergent Please don't use organic solvents, acid or alkali toilet cleaner, cleaning brush etc.
- ❗ Otherwise, the machine will destroy machine surface finish or produce discoloration.
- ❗ If using a chemical cloth, make sure that the use of attention.

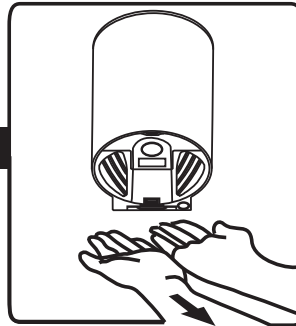
1



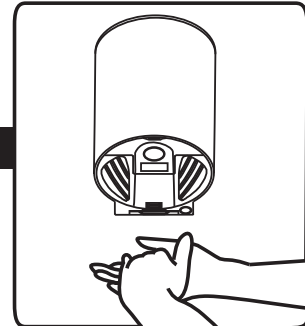
2



Slowly moving up the back of the hand before and after



Palm of the hand before and after slowly moving upwards



Mutual hands