

Application

Mixer, Water-pump, Oil-pump, Air-pump and etc.

Characteristics

- Multi poles to increase the output torque
- Non-brush structure and long life design
- High torque density encapsulation
- High performance NdFeB magnet

Picture

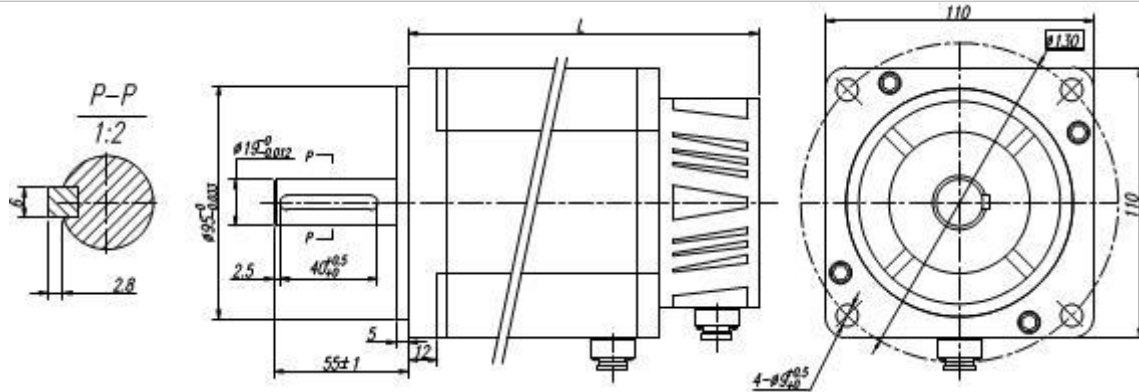


Specification

Model	Rated power	Rated voltage	Current	Number of poles	Rated speed	Rated torque	Peak torque	Moment constant	Length	Weight
	W	VDC	A		rpm	N. cm	N. cm	N. cm/A		
D1105-20025	600	310	2.5	8	3000	200	600	80	159	4.5
D1105-40050	1200	310	5			400	1200	80	189	5.5
D1105-60060	1800	310	6			600	1800	100	219	6.7

*Note: We can customize the special speed, Voltage, Assembled size.

Mechanical Dimensions



Wiring Diagram

