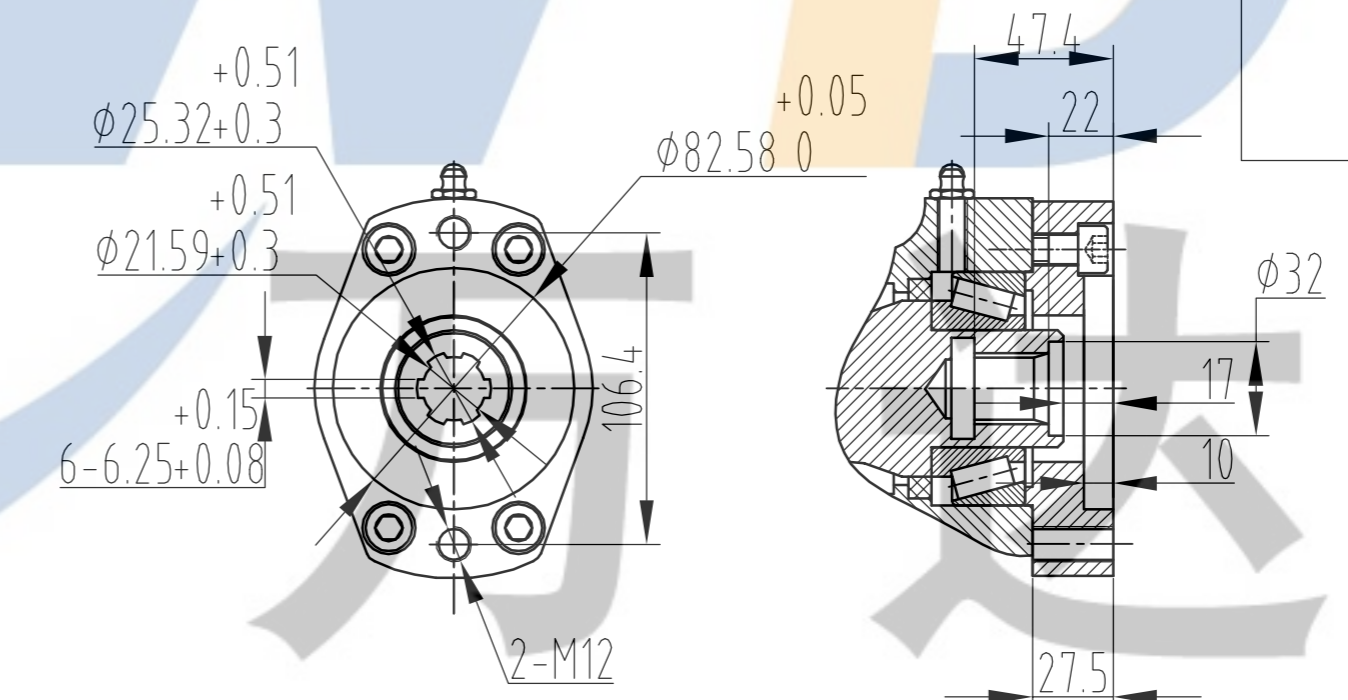
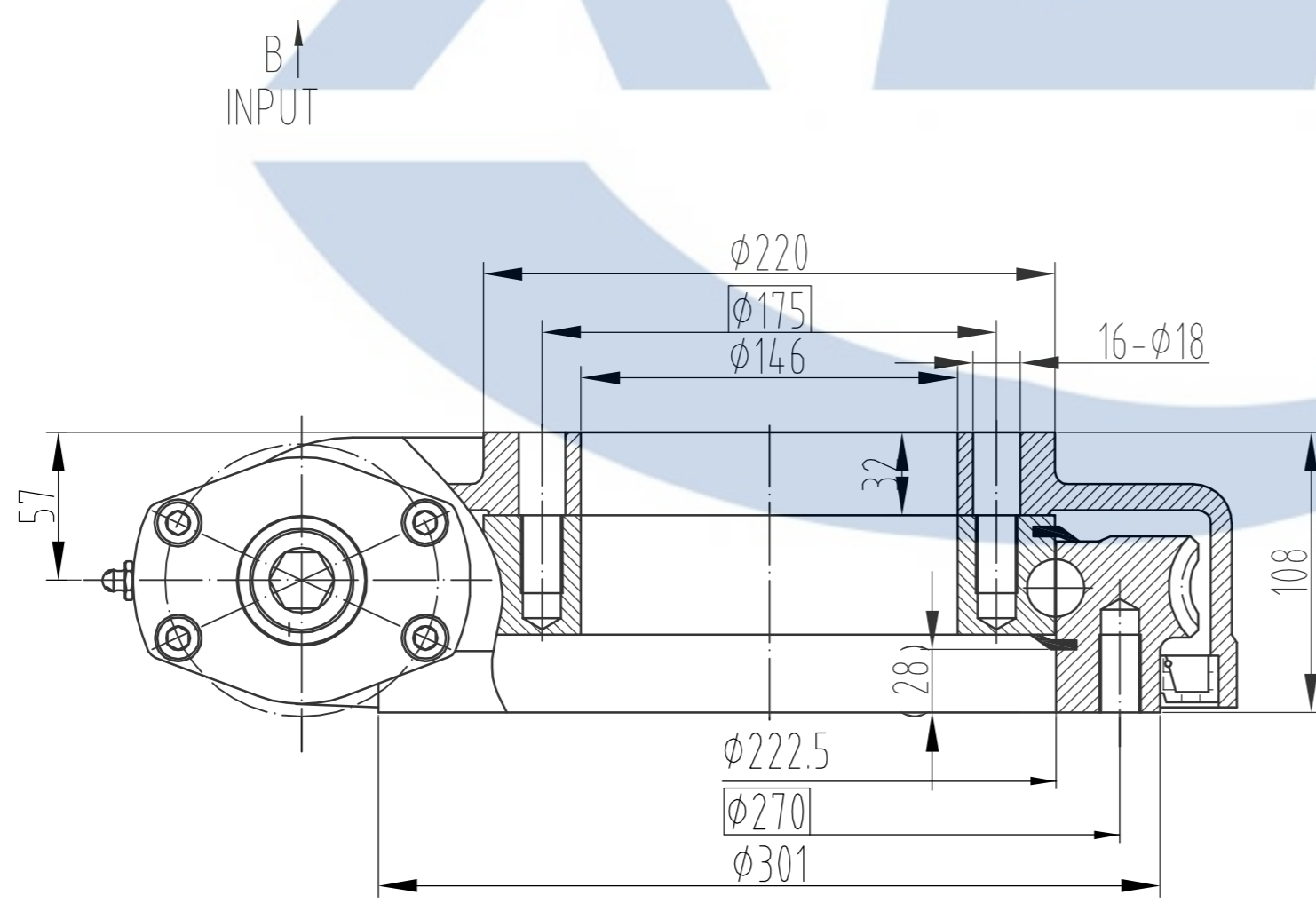
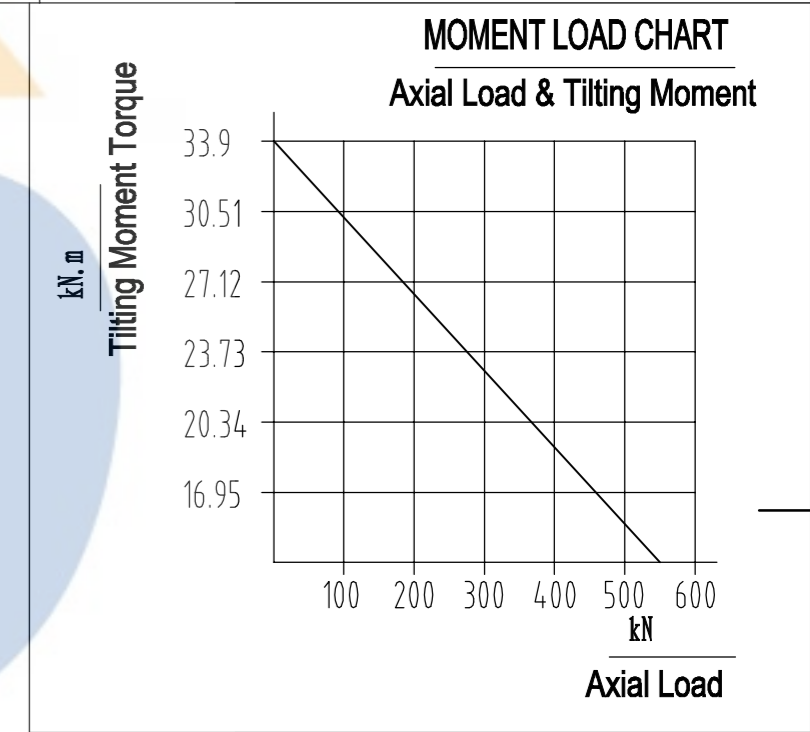


Slewing Drive Performance Data	
Gear Ratio	62:1
Output Torque	8kN.m
Tilting Moment Torque	33.9kN.m
Holding Torque	38.7kN.m
Static Axial Rating	550kN
Static Radial Rating	205kN
Dynamic Axial Rating	130kN
Dynamic Radial Rating	110kN
Tracking Precision	≤0.15°
Rated Output Speed	<3 rpm
Self Locking Gears	YES
Weight	53kg



REV	DATE	REVISER	DESCRIPTION		
DESIGNED BY			Xuzhou Wanda Slewing Bearing Co.,Ltd. www.slew-bearing.com Tel: +86-516-83309366 Fax: +86-516-83915766		
CHECKED BY					
APPROVED BY					
ALL PROPRIETARY RIGHTS IN THE SUBJECT MATTER HERE OF ARE RESERVED, AND NO PERMISSION IS GRANTED OR TO DISCLOSE REPRODUCE THIS PRINT IN WHOLE OR IN PART, ANY OF THE INFORMATION TO OTHERS.			WEIGHT	SCALE	SLEWING DRIVE
SYMBOL ISO	SIZE	A3	SHEET	1/1	
					WEA9-62-BH-R
					A