

# PM STEP MOTOR P203( 20mm)

## Application

Mainly used in printer, scanner, stage light etc.

## Complementary Products:

- Output Shaft
- Assembling Size
- Lead Wire or Terminal

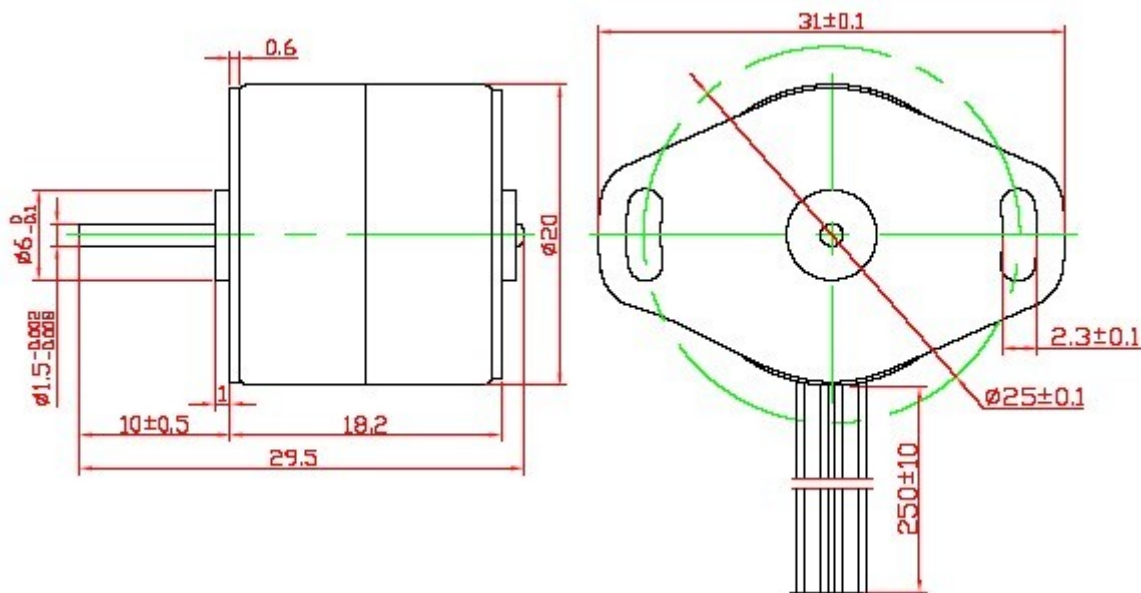
## Picture



## Specification

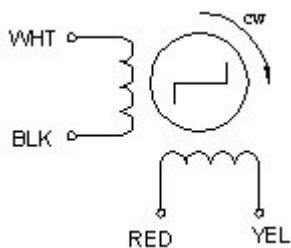
MODEL	No.of phase	Excitation	Step Angle °	Voltage V	Current A	Resistance Ω	Inductance mH	Holding Torque g.cm	Detent Torque g.cm	Rotor Inertia g.cm <sup>2</sup>	Stepping Accuracy
P203-0094A1	2	2-2	18	12	0.08	280	81.7	>90	<20	<1.0	18°±7%
P203-0064A2	2	2-2	18	5	0.5	10	4.3	>60	<20	<1.0	18°±7%

## Mechanical Dimensions



## Standard Leadwire Configuration

4 leads



Wire Color	Step			
	1	2	3	4
WHT	-	-	-	-
BLK	-	-	-	-
RED	-	-	-	-
YEL	-	-	-	-