



15W76ND-8

15In Low Frequency Driver

Features

- 3in Voicecoil
- High Sensitivity

Specifications

Nominal Diameter	380mm (15in)
Nominal Power (AES) ¹	450W
Program Power ²	900W
Sensitivity (1W/1m) ³	99dB
Voice Coil Diameter	76mm (3in)
Magnet Material	Neodymium
Nominal Impedance	8Ω
Frequency Range	40 - 3000Hz

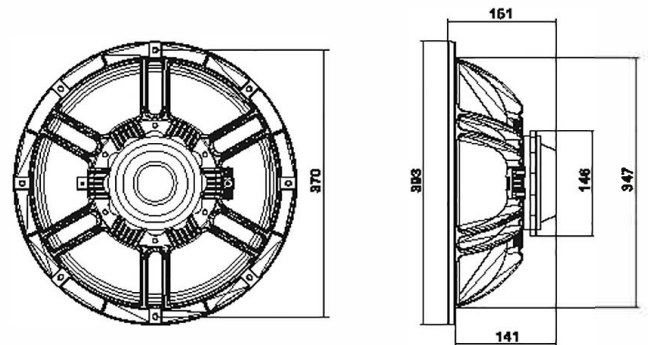
Thiele & Small Parameters

Fs	40.8Hz
Qes	0.32
Qts	0.31
Qms	6.1
Re	5.5Ω
Sd	850cm ²
Vas	167L
BxL	20.5Tm
Mms	93.6g
Le (1kHz)	0.9mH
Xmax (lin.) ⁴	±4mm

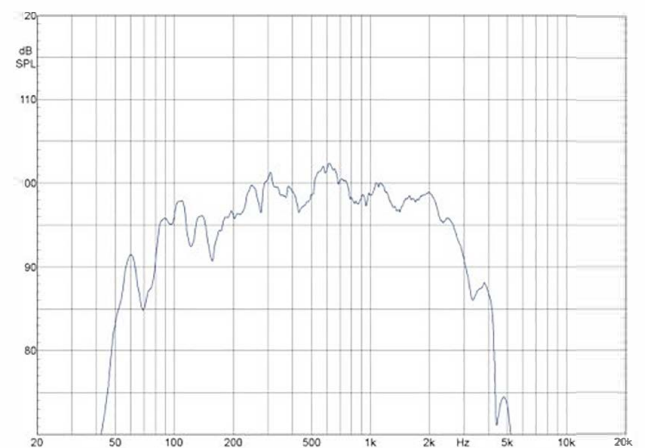
Mounting Information

Overall Diameter	393mm
Mounting Holes Diameter	8x 8mm x 6.5mm
Bolt Circle Diameter	370mm
Baffle Cutout	350mm
Overall Depth	151mm
Net Weight	4.6kg

Notes: 1 2 hours test with pink noise (6dB crest) between F_r and 10F_s. Power calculated on rated minimum impedance.
 2 Program Power is defined as 3dB greater than the AES Power
 3 RMS Voltage est to 2.83V at nominal impedance
 4 X_{max} is defined as (H_c - H_g)/2



Frequency response measured in a vented enclosure with 90l, tuned at 40Hz



Impedance for 8Ω driver

