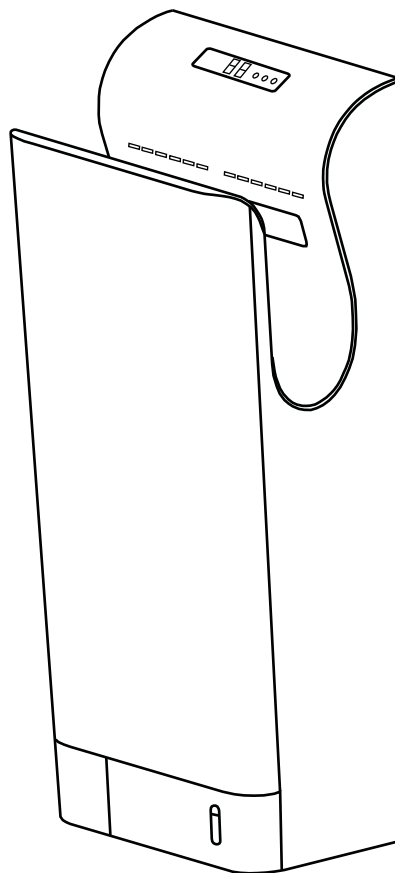


# Jet Hand Dryer-AK2030

---



- Do not attempt to install the unit yourself unless you are a trained service technician. Otherwise, this may affect the safety and proper functioning of the unit.
- Read this manual thoroughly and carefully before beginning to use the unit, ensuring safety and proper function. Please keep it well for later reference.

## Precautions before installing

### ■ Do not install in the following types of location, otherwise this may cause malfunction:

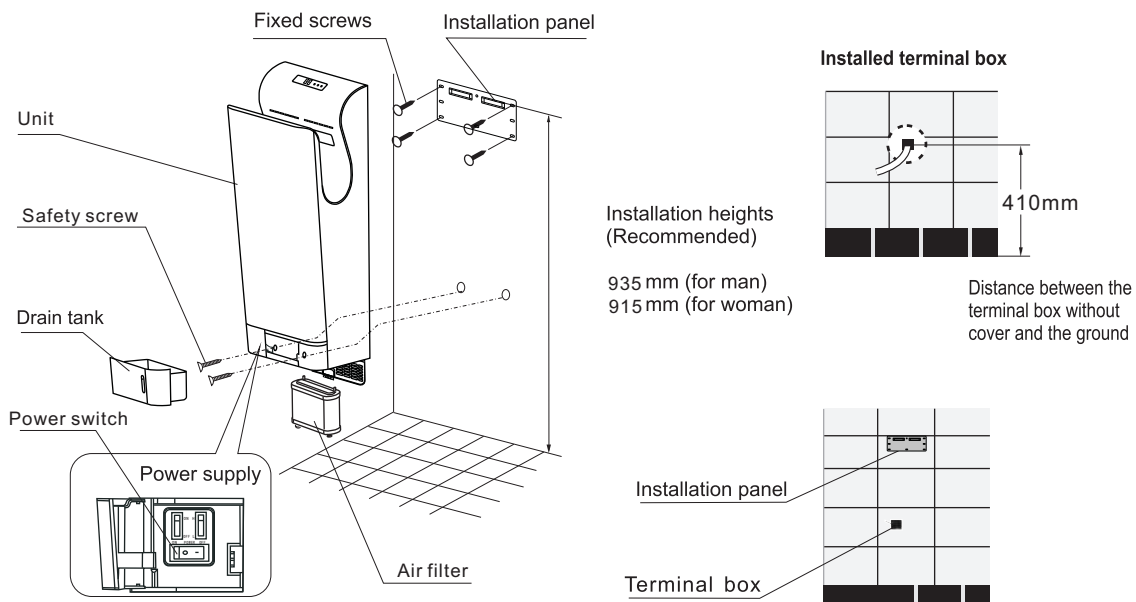
- Locations where the temperature can exceed -10 °C or 40 °C.
- Locations where the unit may come into direct contact with water.
- Locations where the unit is under direct or strong sunlight
- Locations where there is a lot of condensation.
- Locations where corrosive, neutral, or reductive gases are present.
- Places lower than -20m or higher than 2000m above sea level

### ■ Installation location

- Install somewhere the unit will be easy to use, as shown in the figure.  
If the unit is installed too low, water may get on it when the floor is being cleaned.
- The space between the base and floor or obstacles must be more than 150 mm, because the power operating part is at the bottom of the unit.
- Ensure there are no mirrors or walls near the two side , as drops of water may splatter to the right when drying hands. (Recommended distance is at least 100 mm.)
- Avoid locations where people or doors might bump into the unit.
- Choose a completely flat surface on the wall to install the unit.

### ■ About the machine take electric way

- Suggested take electric by socket , install three hole standard socket on one wall side apart away the machine 20-30cm, don't installed on it below, to avoid interference to open wind door plate , must be common ground wire to ground.
- Directly connecting to power line, please installed embedded junction box without cover.



# Installation Procedures

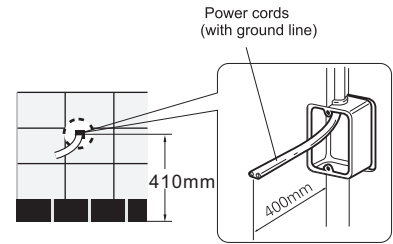
- Use a single-phase alternating rated voltage supply.(Do not be used with a power supply exceeding rated voltage  $\pm 10\%$ .)
- Use a power cord which is between  $2\text{mm}^2$  and  $2.5\text{mm}^2$  thick. (Cords other than  $2\text{mm}^2 - 2.5\text{mm}^2$  single-core cords cannot be used.)  
(A drop in voltage is possible if the power cord exceeds 11 m in length, so we recommend using a  $2.5\text{mm}^2$  cord.)

## 1

### Wire the unit.

Embed the switchbox in the installation location (1 switchbox no cover) and wire the power cord (with the green and yellow combined is ground line).

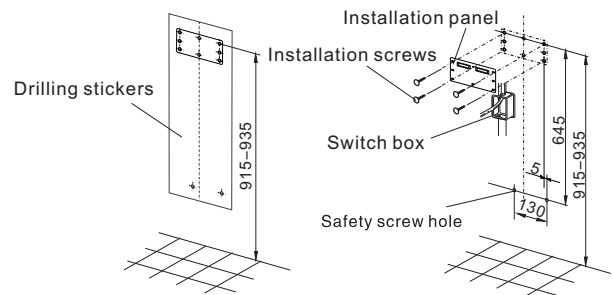
- If no switchbox is used, the power cord will be pushed out, and prevent the unit from being installed firmly against the wall.



## 2

### Attach the installation panel to the wall using the 4 installation screws.

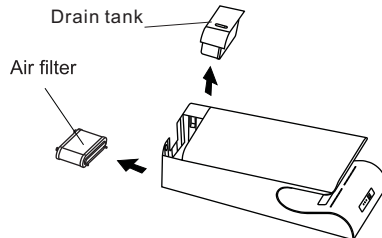
- If the wall is concrete, use commercially available metal screw plugs (curl plugs, etc.).
- If the wall is not concrete, reinforce it before installation.
- Paste the drilling stickers into the wall as picture. drilling according to the holes.
- Put the expansion pipe into the hole, and fix the mounting plate as picture



## 3

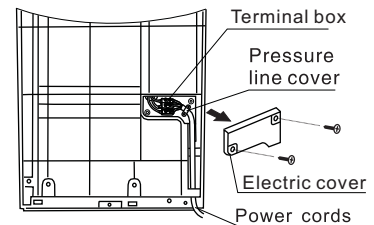
### 1.Pull out drain tank and air filter

- If plug supply electricity, follow step 6 and step 7 directly.
- If wire supply electricity,first pull out front panel.



### 2.Pull out electric cover and power cords

- (1) Unscrew the 2 screws on the electric cover, open the cover.
- (2) Unscrew the 2 screws on the pressure line cover, loosen the 3 screws on terminal box, then pull out the power wire.

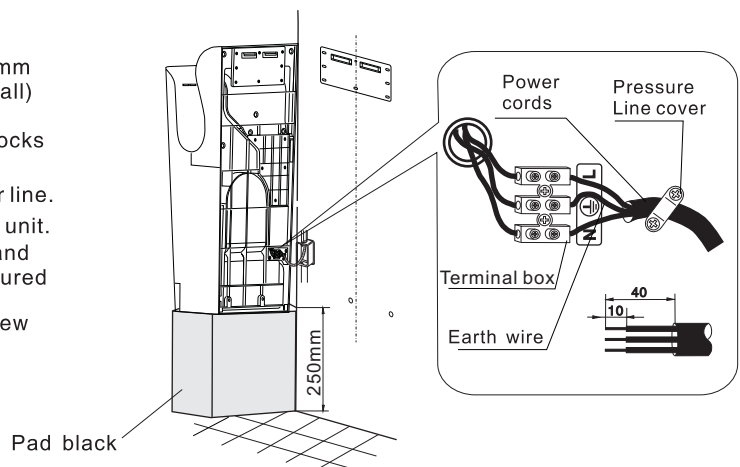


## 4

### Pull the separate line power cord into the unit

Pull this machine has been with power cord. if you want to change, please according to the following steps.

- Elevate the unit with a height of about 250 mm pad to ,make the two junction(in unit & in wall) box with the same height.according to the following steps,connect wire to terminal blocks of unit.
  - (1)Take off the insulating layer of the power line.
  - (2)Connect power line to terminal blocks of unit.
  - (3)Tighten the screws on the terminal box and pull the powercord to make sure it is secured firmly.
  - (4)Fix the power line into the unit by the screw and pressure line cover.

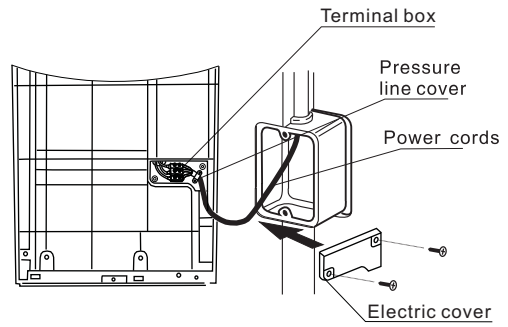


# Installation Procedures

5

### Install the terminal block cover

- (1) Put the terminal block cover on the terminal block and fix it with install screws.
- (2) Ensure the power lines get through the cabling channel and the terminal block cover is flat after installed.

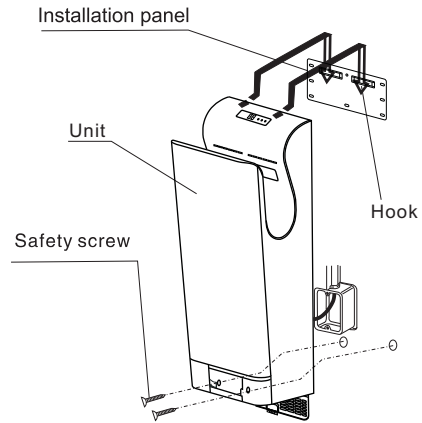


6

### Fix the unit

- (1) Tidy the power lines and press the extra parts into the terminal block on wall.
- (2) Hang the pothook on the back of the unit into the hanging trough of the install panel and ensure the unit hung stably and close to wall.
- (3) Install the anti-theft screws for the unit (2pcs)

Note: The unit must be installed with the anti-theft screws, or else it may cause the unit off and be stolen.



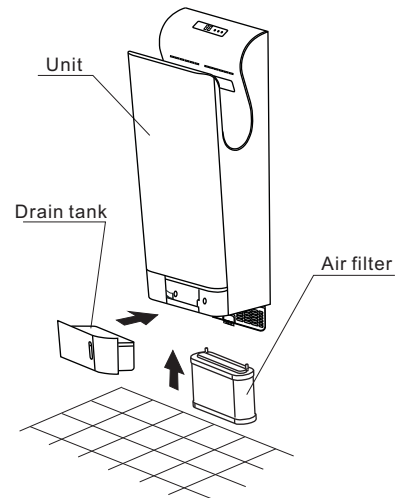
7

### 1. Install the air filter

- Push the air filter up into the unit totally, then close the air inlet door and lock it with the knob lock.

### 2. Install the drain tank

- Push the drain tank into the unit as the diagram showing.



## Test Run

	Step	Check	Result
1	Check the voltage of power supply	Please use the rated voltage?	
2	Turn the ground-fault circuit breaker on		
3	Turn the power switch on	Dose the lamp light up?	
4	Dry hands	Is the air blowing?	
5	Check the unit	Is the unit installed firmly? Any vibration or strange noise?	

\* Do not turn the unit power switch on with your hands inside.

