

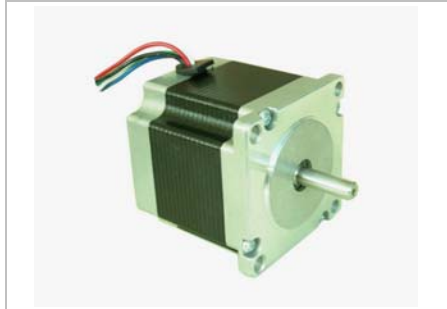
HYBRID STEPPER MOTOR

H571(57mm) – 1.8°/step, 2/4 Phase

GERNERAL SPECIFICATIONS

Step Angle(Accuracy)----- 1.8°(±5%)
 Resistance Accuracy ----- ±10%
 Inductance Accuracy ----- ±20%
 Temperature Rise ----- 80°C Max.
 Ambient Temperature ----- -10°C~50°C
 Insulation Resistance ----- 100Mohm Min, 50VDC
 Dielectric Strength ----- 500VAC for one minute
 Shaft Radial Play ----- 0.06Max. (450 g-load)
 Shaft Axial Play ----- 0.08Max.(450 g-load)

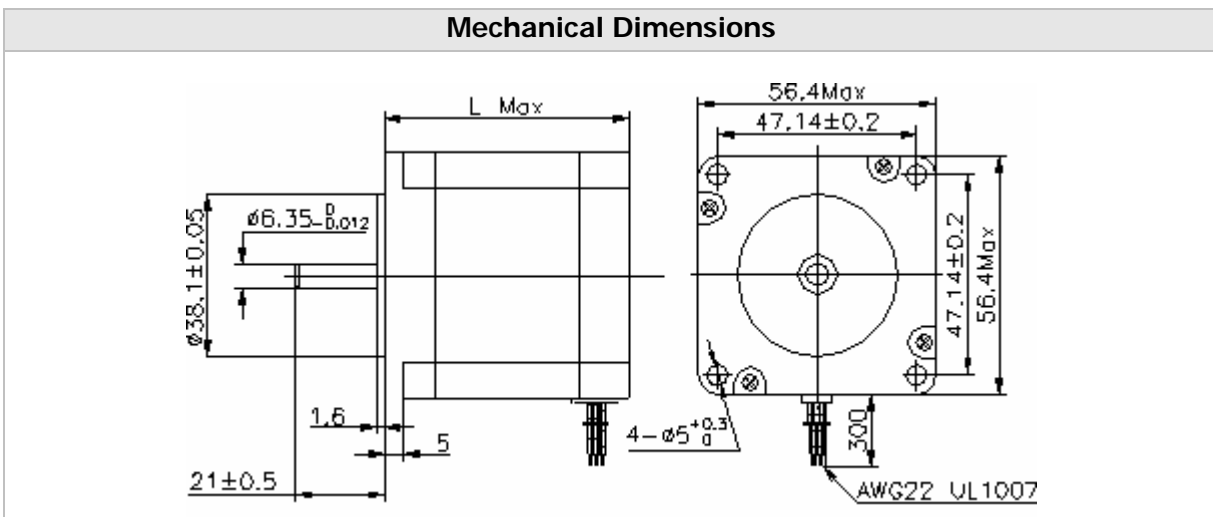
Picture



Electrical Specification

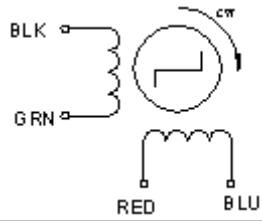
Series Model	Step Angle (o)	L (mm)	Rated Current (A)	Phase Resistance (Ω)	Phase Inductance (mH)	Holding Torque (N.cm)	Detent Torque (N.cm)	Lead Wire (NO.)	Motor Weight (g)
H571-04010	1.8	41	1.0	5.2	5.5	40	2.5	6	470
H571-05506	1.8	41	0.62	12	24	55	2.5	4	470
H571-05520	1.8	41	2.0	1.2	2.5	55	2.5	4	470
H571-08006	1.8	45	0.62	12	26	80	2.8	4	520
H571-08025	1.8	45	2.5	1.0	2.2	80	2.8	4	520
H571-11006	1.8	51	0.62	13	28	110	2.8	4	520
H571-11025A	1.8	51	2.5	1.2	3.2	110	2.8	4	520
H571-06208	1.8	51	0.8	6.8	9.2	62	3.0	6	590
H571-09015	1.8	56	1.5	3.2	5.5	90	3.5	6	590
H571-11025B	1.8	56	2.5	1.3	4.2	110	3.5	4	680
H571-11030	1.8	56	3.0	0.8	2.4	110	3.5	4	680
H571-11042	1.8	56	4.2	0.4	1.2	110	3.5	4	680
H571-15010	1.8	64	1.0	7.5	20	150	5.0	4	850
H571-15025	1.8	64	2.5	1.5	4.5	150	5.0	4	850
H571-15030	1.8	64	3.0	0.8	2.3	150	5.0	4	850
H571-15042	1.8	64	4.2	0.55	1.2	150	5.0	4	850
H571-14015	1.8	76	1.5	4.5	7.8	140	6.0	6	1050
H571-18025	1.8	76	2.5	1.8	6.5	180	6.0	4	1050
H571-18030	1.8	76	3.0	1.0	3.5	180	6.0	4	1050
H571-18042	1.8	76	4.2	0.6	1.8	180	6.0	4	1050
H571-25030	1.8	100	3.0	1.4	5.5	250	10	4	1250
H571-25042	1.8	100	4.2	0.8	3.0	250	10	4	1250
H571-28030	1.8	112	3.0	1.6	6.8	280	12	4	1400
H571-28042	1.8	112	4.2	0.9	3.8	280	12	4	1400

Mechanical Dimensions

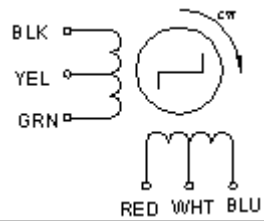


Standard Leadwire Configuration

BI-POLAR(4 LEADS)



UNI-POLAR(6 LEADS)



Complementary Products:

- Special shaft
- Encoders
- Connector
- Long leadwires