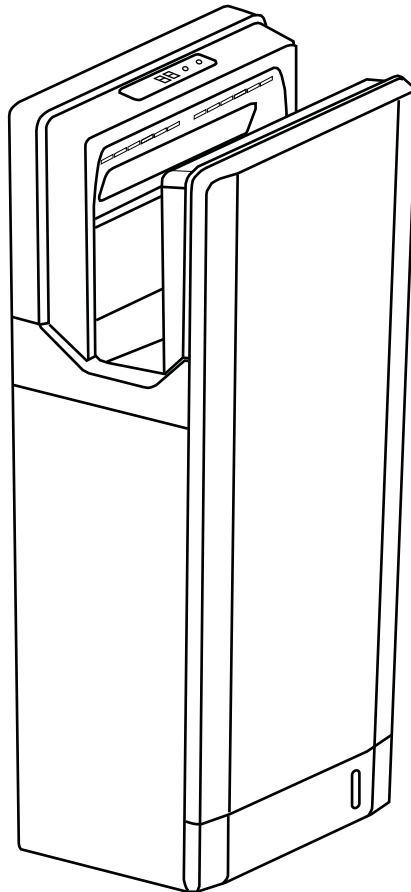


# JetHand Dryer-AK2070

---



- Do not attempt to install the unit yourself unless you are a trained service technician. Otherwise, this may affect the safety and proper functioning of the unit.
- Read this manual thoroughly and carefully before beginning to use the unit, ensuring safety and proper function. Please keep it well for later reference.

## Precautions before installing

### ■ Do not install in the following types of location, otherwise this may cause malfunction:

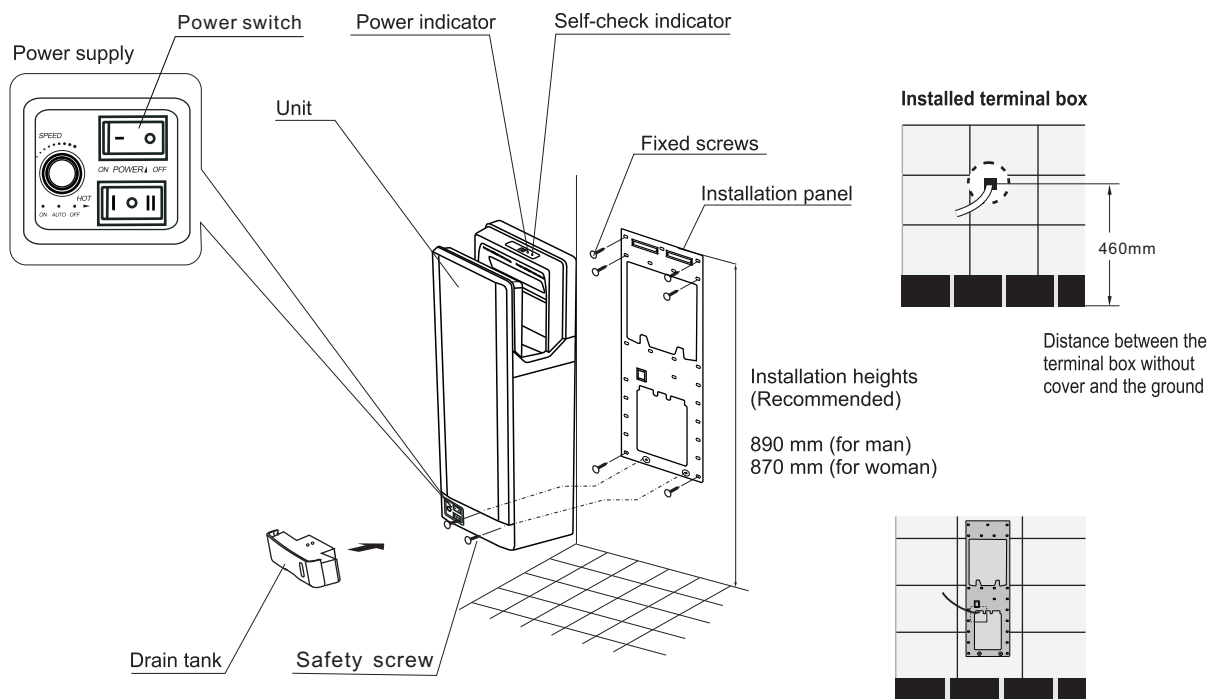
- Locations where the temperature can exceed -10 °C or 40 °C.
- Locations where the unit may come into direct contact with water.
- Locations where the unit is under direct or strong sunlight
- Locations where there is a lot of condensation.
- Locations where corrosive, neutral, or reductive gases are present.
- Places lower than -20m or higher than 2000m above sea level

### ■ Installation location

- Install somewhere the unit will be easy to use, as shown in the figure.  
If the unit is installed too low, water may get on it when the floor is being cleaned.
- The space between the base and floor or obstacles must be more than 150 mm, because the power operating part is at the bottom of the unit.
- Ensure there are no mirrors or walls near the two side , as drops of water may splatter to the right when drying hands. (Recommended distance is at least 100 mm.)
- Avoid locations where people or doors might bump into the unit.
- Choose a completely flat surface on the wall to install the unit.

### ■ About the machine take electric way

- Suggested take electric by socket , install three hole standard socket on one wall side apart away the machine 20-30cm, don't installed on it below, to avoid interference to open wind door plate , must be common ground wire to ground.
- Directly connecting to power line, please installed embedded junction box without cover.



# Installation Procedures

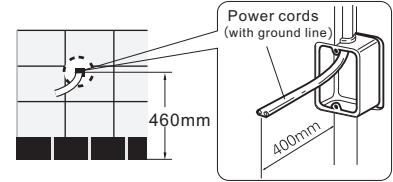
- Use a single-phase alternating rated voltage supply.(Do not be used with a power supply exceeding rated voltage  $\pm 10\%$ .)
- Use a power cord which is between  $2\text{mm}^2$  and  $2.5\text{mm}^2$  thick. (Cords other than  $2\text{mm}^2 - 2.5\text{mm}^2$  single-core cords cannot be used.)  
(A drop in voltage is possible if the power cord exceeds 11 m in length, so we recommend using a  $2.5\text{mm}^2$  cord.)

## 1

### Wire the unit.

Embed the switchbox in the installation location (1 switchbox no cover) and wire the power cord (with the green and yellow combined is ground line).

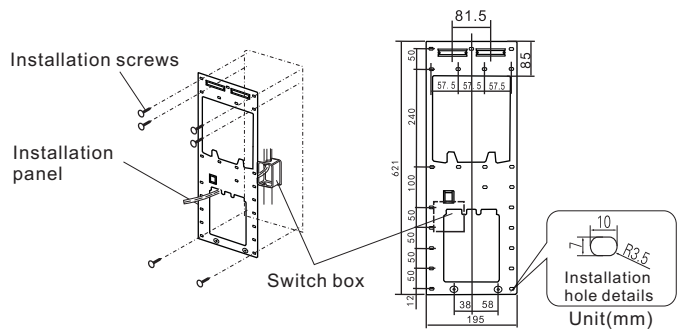
- If no switchbox is used, the power cord will be pushed out, and prevent the unit from being installed firmly against the wall.



## 2

### Attach the installation panel to the wall using the 4 installation screws.

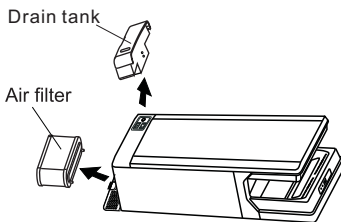
- If the wall is concrete, use commercially available metal screw plugs (curl plugs, etc.).
- If the wall is not concrete, reinforce it before installation.
- Paste the drilling stickers into the wall as picture. drilling according to the holes.
- Put the expansion pipe into the hole, and fix the mounting plate as picture



## 3

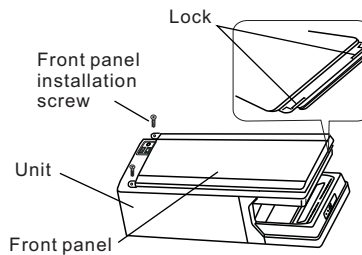
### 1.Pull out drain tank and air filter

- If plug supply electricity, follow step 6 and step 7 directly.
- If wire supply electricity,first pull out front panel.



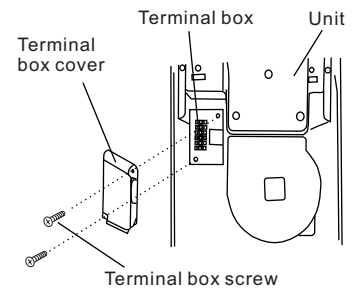
### 2.Remove the front panel.

- (1)Remove the two screws.
- (2)Remove all the front panel chuckholes (2).



### 3.Remove the terminal box cover.

- Remove the terminal box cover screw and pull the cover out towards you.



## 4

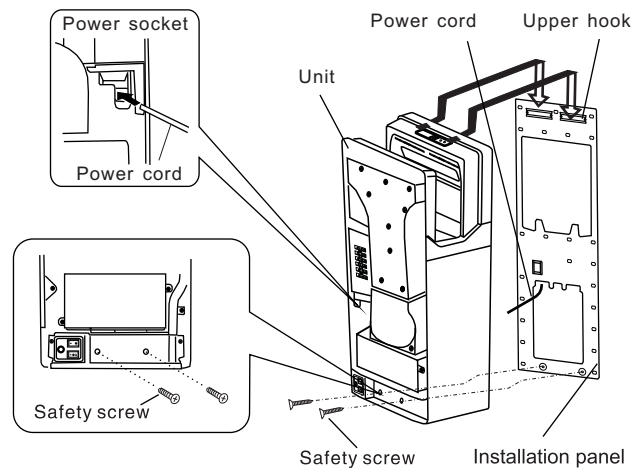
### Pull the separate line power cord into the unit and secure inside.

Pull this machine has been with power cord. if you want to change, please according to the following steps.

Pull the power cord through the power cord hole on the rear of the unit, attach the rear side to the 2 hooks on the installation panel.

- The installation screws for the unit will not tighten completely if the hooks at the bottom of the installation panel are not in place.

**Note:** Ensure the unit is hooked on the installation panel, tightened the safety screws (at the low right), otherwise, this may cause the unit to drop and be in the danger of theft.

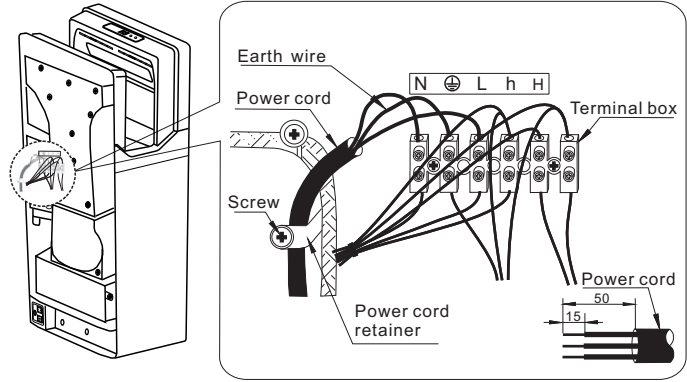


# Installation Procedures

5

### Wire the terminal box. (There is no polarity.)

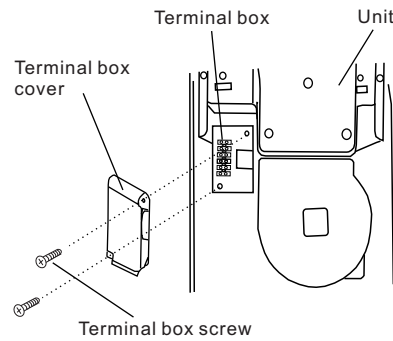
- (1) Strip the wire sheath as shown in the figure at right.
- (2) Loosen the screws on the terminal box and connect the power cord to the terminal box.
- (3) Remove the protective seal attached to the terminal box before connecting the ground wire.
- (4) Tighten the screws on the terminal box and pull the power cord to make sure it is secured firmly.
- (5) Bind the power cord using the clip to the right of the terminal box and fix it to its original location.



6

### Attach the terminal box cover.

- (1) Place the terminal box tabs into the holes and return the cover to its original position, securing it with the screw.
- (2) Make sure the power cord and other wires are not pinched.
  - The front panel cannot be attached if there are any wires in front of the terminal box cover. Move the wires to the right of the terminal box cover.



7

### 1. Attach the front panel.

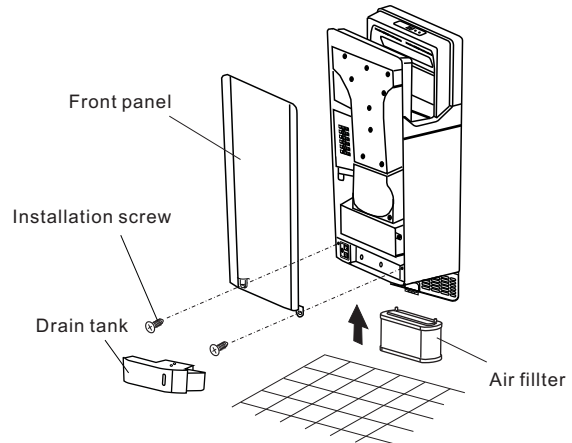
- (1) Insert the 2 front Panel chuckholes into the unit.
- (2) Replace the 2 screws that were removed.

### 2. Install the air filter

- Push the air filter up into the unit totally, then close the air inlet door and lock it with the knob lock.

### 3. Install the drain tank

- Push the drain tank into the unit as the diagram showing.



## Test Run

	Step	Check	Result
1	Check the voltage of power supply	Please use the rated voltage?	
2	Turn the ground-fault circuit breaker on		
3	Turn the power switch on	Does the power indicator light up?	
4	Dry hands	Is the air blowing?	
5	Check the unit	Is the unit installed firmly? Any vibration or strange noise?	

\* Do not turn the unit power switch on with your hands inside.

\* If the self-check indicator in the display lights or is flashing, turn off the power switch off, and turn the power back on when all the indicators go off (after 40 seconds).

