



8NMP52

8in Low Frequency Driver

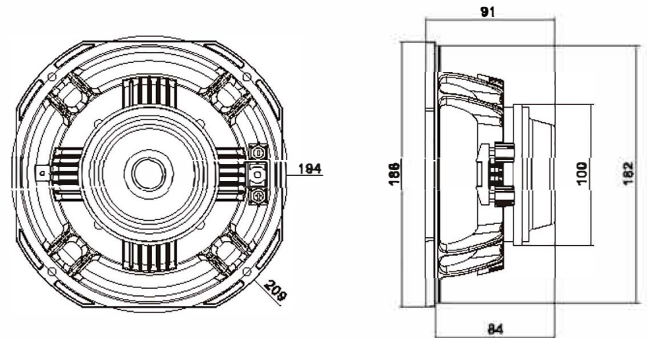
Features

- 2in Voicecoil
- Flat Frequency Response



Specifications

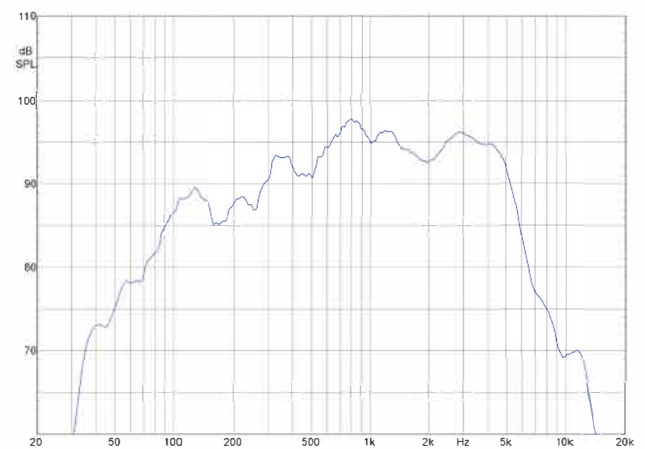
Nominal Diameter	200mm (8in)
Nominal Power (AES) ¹	200W
Program Power ²	400W
Sensitivity (1W/1m) ³	94dB
Voice Coil Diameter	52mm (2in)
Magnet Material	Neodymium
Nominal Impedance	16Ω
Frequency Range	90 - 4000Hz



Thiele & Small Parameters

Fs	90.6Hz
Qes	0.65
Qts	0.59
Qms	6.7
Re	10.2Ω
Sd	214cm ²
Vas	9.6L
BxL	13.6Tm
Mms	20.7g
Le (1kHz)	0.61mH
Xmax (lin.) ⁴	±3.75mm

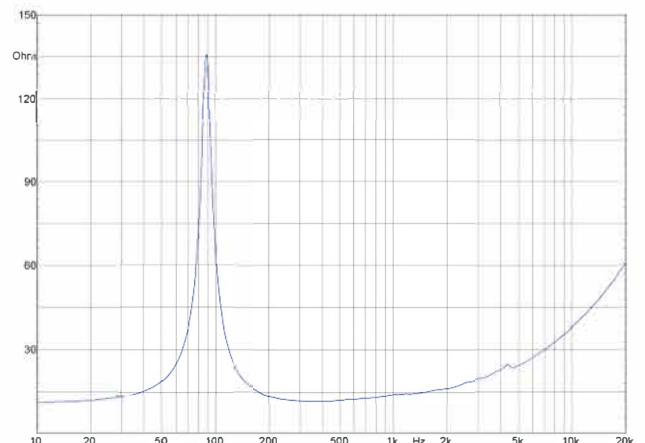
Frequency response measured in free air



Mounting Information

Overall Diameter	209mm
Mounting Holes Diameter	4x 5.5mm
Bolt Circle Diameter	194mm
Baffle Cutout	184mm
Overall Depth	91mm
Net Weight	1.9kg

Impedance for 16Ω driver



Notes: 1 2 hours test with pink noise (6dB crest) between Fs and 10Fs. Power calculated on rated minimum impedance.
 2 Program Power is defined as 3dB greater than the AES Power
 3 RMS Voltage set to 2.83V at nominal impedance
 4 Xmax is defined as (Hc - Hg)/2