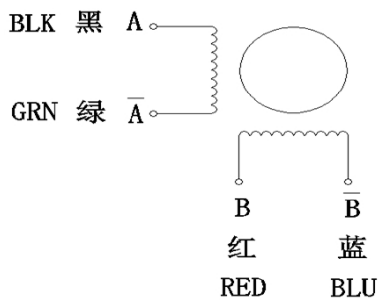


# LINEAR STEPPER MOTOR

HL286(28mm) - 1.8°/step, 2 Phase

## Standard Leadwire Configuration

双极性 BI-POLAR



## Picture



## Motor Electrical Specification

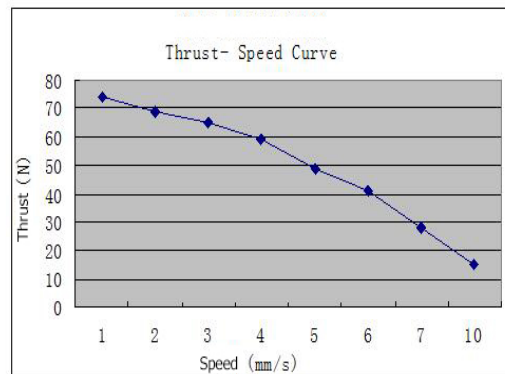
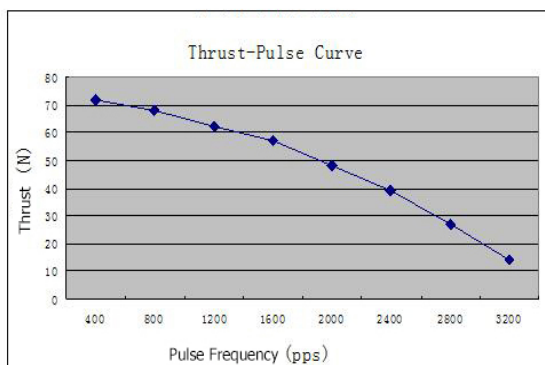
Series Model	Rated Current (A)	Phase Resistance ( $\Omega$ )	Phase Inductance (mH)	Lead Wire (No.)	Holding Torque (N.cm)	Motor Length L (mm)	Step Angle ( $^\circ$ )
HL286-00504	0.35	12	5.8	4	4.5	28	1.8
HL286-00604	0.35	15	9.2	4	6	33	
HL286-00807	0.67	7.0	6.0	4	8	41	
HL286-01007	0.67	9.0	7.2	4	10	50	

## Screw Specification

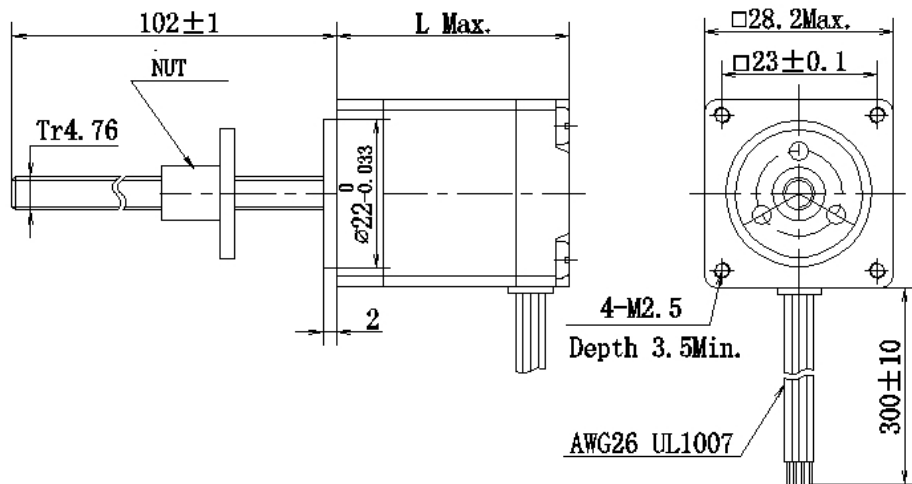
Code	Diameter $\Phi D$	Linear travel per step	Step
471	$\Phi 4.76$	0.0063	1.27

The shaft length can be custom-made.

## Dynamic Thrust Curve



## Mechanical Dimensions



## Nut

