



Features

- 3in Voicecoil
- High Sensitivity
- Neodymium Magnet
- Advanced Cooling System

Specifications

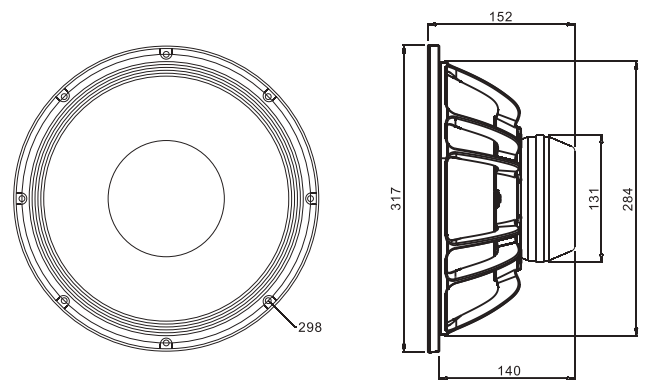
Nominal Diameter	320mm (12in)
Nominal Power (AES) ¹	450W
Program Power ²	900W
Sensitivity (1W/1m) ³	95dB
Voice Coil Diameter	76mm (3in)
Magnet Material	Neodymium
Nominal Impedance	16 ohms

Thiele & Small Parameters

Re	11.35	Ohm
Le	1.475	mH
L2	2.367	mH
R2	10.93	Ohm
Cmes	135.95	μF
Lces	73.21	mH
Res	284.59	Ohm
Fs	50.4	Hz
Loss factors		
Qtp 0.473	Qms	12.264
Qes 0.489	Qts	0.470

Mechanical Parameters

Mms	84.018	g
Mmd (Sd)	70.194	g
Rms	2.172	kg/s
Cms	0.118	mm/N
Kms	8.44	N/mm
Bl	24.860	N/A
Lambda s	0.020	



Other Parameters

Vas	47.2596
n0	1.192 %
Lnom	94.45 dB nominal sensitivity (SPL at 1m for 1W @ Zn)
rmse Z	5.84 %
rmse Hx	2.47 %
Series resistor	0.00 Ohm
Sd	530.93 cm ² diaphragm area