

HP3908D 8 in 1 IP to AV Decoder



Overview

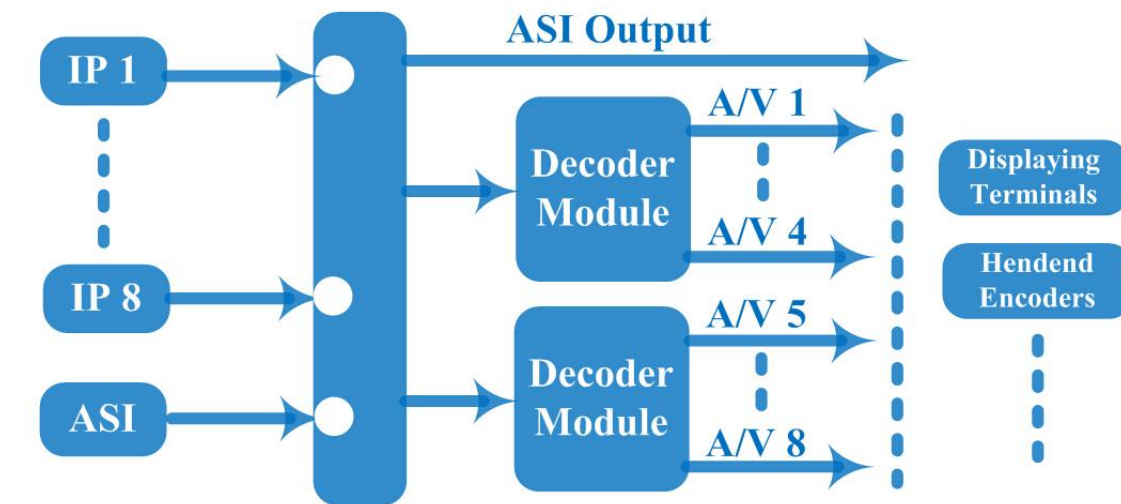
HP3908D is a digital decoder designed by Catcast with proprietary intellectual property rights. It is a 1-U case which supports digital TS input via both IP and ASI. After decoding process, it outputs as much as 8 channels of analog A/V signals. Its pluggable structure design greatly facilitates the change of decoder modules as needed.

To meet customers' various requirements, HP3908D is also equipped ASI output to transfer the TS to other equipment for more purposes.

Key Features

- * **8*IP and 1*ASI input**
- * **8*CVBS video/unbalanced stereo audio decoding out**
- * **MPEG-2/H.264/AVS+ Video Decoding, MPEG1 Lay2/AC3 (2.0) Audio Decoding**
- * **Real-time bit rate monitoring**
- * **High reliability design, stable performance**
- * **Easy manage with LCD and web-server remote control**

Principle Chart



HP3908D 8 in 1 IP to AV Decoder

Specification

Input	8*IP (MPTS/SPTS) (100Mbps Ethernet) (RJ45)	
	IP Protocol	UDP and RTP (Unicast/multicast)
	1* ASI (BNC)	
Decode	Video Format	MPEG-2/H.264/AVS+
	Interface	8* CVBS (RCA)
	Video Resolution	576i@25fps, 480i@29.97fps
	Audio Format	MPEG-1 Layer 2, AC3 (2.0)
	Interface	8*Unbalanced stereo (RCA)
General	Operation	LCD display/Control button; Web-server
	Language	Chinese/English
	Dimension (LxWxH)	44 mm×482 mm×410mm
	Environment	0~45℃(Work); -20~80℃(Storage)
	Power Supply	220VAC±10%, 50Hz
	Consumption	<25W