



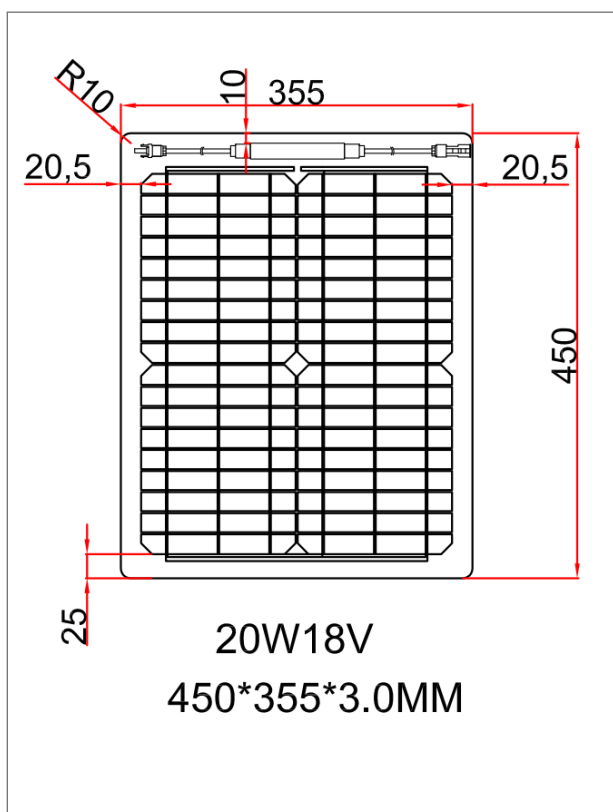
# FP-20W18V

## Flexible Solar Panel FP Series



— PCB Material —

### Module Diagram



### Electrical Characteristics

Maximum power(Pmax)	20W
Open-circuit voltage(Voc)	21.3
Voltage at Pmax(Vmp)	17.8
Short-circuit current(Isc)	1.21
Current at Pmax(Imp)	1.12
Cells Efficiency(%)	18.43%
The maximum system voltage	60VDC(IEC)
Power temperature coefficient	-0.43%/°C
Voltage temperature coefficient	-0.34%/°C
Current temperature coefficient	0.05%/°C
Output power tolerance	±3%
Operating Temperature	-20~75°C

### Specifications

Solar cell brand	A Grade Solar Cells
No.of cells and connections	36(2*18)
Module dimension	450*355*3mm
Weight	0.72KG
Maximum bending arch height	10mm
Waterproof junction box	IP65/IP67
Warranty	1 year and service life 10 years