



SANWAY AUDIO

<https://www.china-sanway.com>

# CS44

## CS44 or CS64 4" speaker specification sheet:

4 inches FULL RANGE driver Nominal Diameter 4" / 10cm

Rated Impedance 2  $\Omega$

Half space sensitivity (1W@1m) 91 dB SPL

Power Handling Capacity 30 W AES

Usable frequency range 80 - 16000 Hz

Speaker net mass 0.665 Kg

## Motor architecture

Magnet material - Fe

Voice coil diameter mm 26

Voice coil length mm 6.5

Air gap height mm 4

## Typical characteristics

Rated impedance -  $\Omega$  2

Half space sensitivity (1W@1m) - dB SPL 91.0

Usable freq. range - HZ 80 - 16000

Power handling capacity (AES) - W 30

## Thiele-Small parameters

Resonance frequency  $F_s$  Hz 97

DC Resistance  $R_e$   $\Omega$  1.6

Mechanical quality factor  $Q_{ms}$  6.11

Electrical quality factor  $Q_{es}$  0.45

Total quality factor  $Q_{ts}$  0.42

Suspension compliance  $C_{ms}$  mm/N 0.68

Effective piston area  $S_d$  m<sup>2</sup> 0.0058

Equivalent Cas air load  $V_{as}$  L 3.23

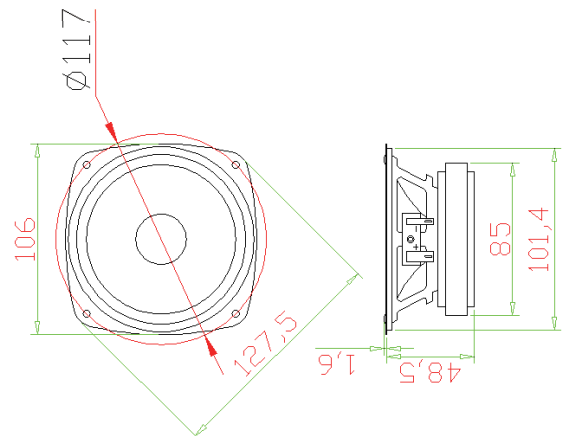
Max linear excursion  $X_{max}$  mm  $\pm$  2.2

Voice-coil inductance @ 1kHz  $L_{e1k}$  mH 0.0374

Voice-coil inductance @ 10kHz  $L_{e10k}$  mH 0.0646

BL product BL Tm 2.87

Moving mass  $M_{ms}$  g 3.84



## Application information

Speaker net mass kg 0.665

Baffle cut-out diameter (front mounting) mm 102

Bolt number & Metric diameter - 4x M4

Bolt circle diameter mm 117.0

Max overall dimension (on ears) mm 127.5

Max overall dimension (out of ears) mm 106

Flange height mm 1.6

Max magnet diameter mm 85

Max depth (front mounting) mm 48.5

<https://www.china-sanway.com>