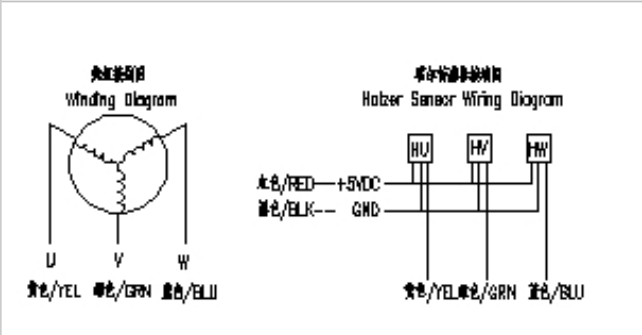
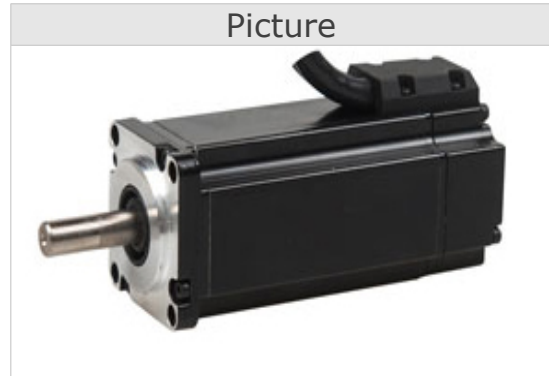


Standard Leadwire Configuration



Picture



Motor Electrical Specification

Motor Model	BS401-01615	BS401-03230	BS401-01603	BS401-03206
Number of Phase	3	3	3	3
Number of Poles	8	8	8	8
Rated Voltage(VAC/VDC)	48	48	220	220
Rated Speed(Rpm)	3000	3000	3000	3000
Rated Torque(N.m)	0.16	0.32	0.16	0.32
Rated Power(W)	50	100	50	100
Rated Current(A)	1.48	2.97	0.32	0.64
Peak Current(A)	1.95	3.6	0.96	1.92
Peak Torque(N.M)	0.48	0.96	0.48	0.96
Rotor Inertia(kg.cm2)	0.031	0.059	0.031	0.059
Torque Constant(N.m/A)	0.108	0.107	0.5	0.5
Torque Constant(V/krpm)	11.2	11.2	52.3	52.3
Line-Line Resistance(Ω)	2	3	16.6	5.53
Line-Line Inductance(mH)	1.5	2.2	16	22
Length(mm)	56	76	56	76
Weight(kg)	0.5	0.73	0.5	0.73
Encoder line number (ppr)	1000, 2500 etc			

Mechanical Dimensions

