

OWNER'S GUIDE

2P240 HYBRID STEPPER MOTOR DRIVER



2P240
STEPPER MOTOR DRIVER



©2020 by I.CH Motion Co.,Ltd..
All Rights Reserved



TECHNICAL DOCUMENT

Content

1. Introduction	3
2. Feature	3
3. Specification.....	4
4. Operating Environment and Parameters	4
5. Definition of Pin Signal	6
6. Control Signal Connector (P1) Interface.....	7
7. Connecting the Motor	10
8. Power Supply Selection	12
9. Selecting Microstep Resolution and Driver Output Current	13
10. Wiring Notes	15
11. Typical Connection	15
12. Sequence Chart of Control Signals.....	16
13. Protection Functions.....	16
14. Frequently Asked Questions	17
15. Application	18

Note:if you have any problems,please
email sales@ichmo.com to to contact us.



TECHNICAL DOCUMENT

1. Introduction

The 2P240 is a high performance micro-stepping driver based on pure-sinusoidal current control technology. The current, short circuit protection solutions can protect the motor from damage.

2. Feature

- High performance, cost-effective
- Output current, up to 80 VAC or 110 VDC
- Over-current protection function
- Pulse input frequency up to 300 KHz
- Support PUL/DIR and CW/CCW modes
- TTL compatible and optically isolated input
- High starting speed, high torque at high speed

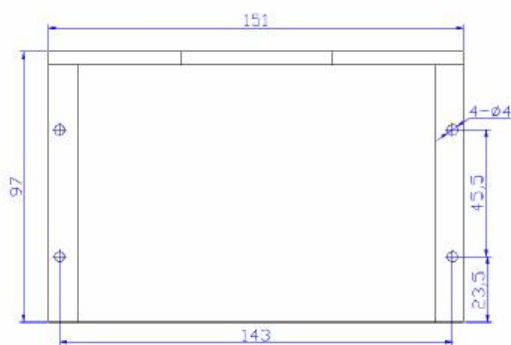
TECHNICAL DOCUMENT

3. Specification

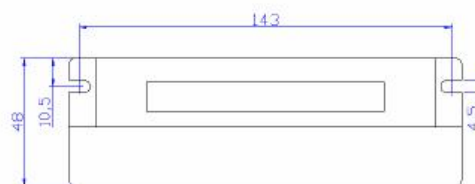
Parameters	2P240			
	Min	Typical	Max	Unit
Output current	2.5	-	7.8 (5.1 RMS)	Amps
Supply voltage	24	60	80	VAC
	+36	+80	+110	VDC
Logic signal current	7	10	16	mA
Pulse input frequency	0	-	300	kHz
Isolation resistance	500	-	-	MΩ

4. Operating Environment and Parameters

Cooling		Natural cooling or forced convection
Operating Environment	Environment	Avoid dust, oil frost and corrosive gas
	Ambient Temperature	0°C — 50°C
	Humidity	40%RH — 90%RH
	Operating Temperature	70°C Max
	Vibration	5.9m/s ² Max
Storage Temperature		-20°C — 65°C
Weight		Approx. 57g (20.10 oz)



(a) Front view



(b) Side view

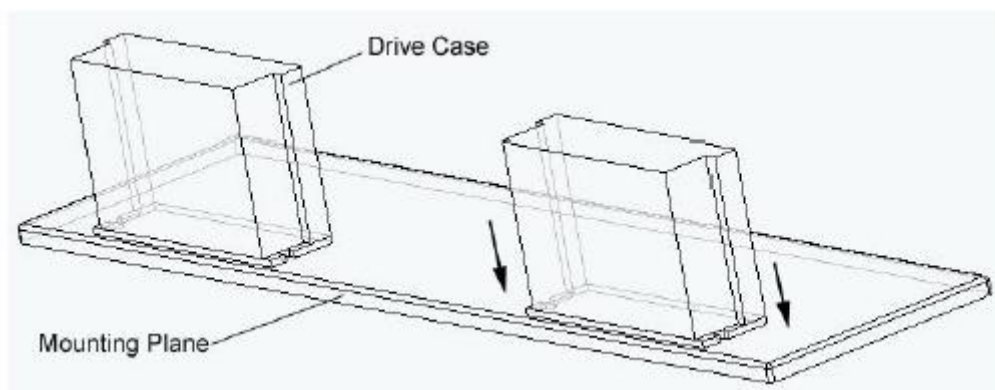
Figure 1: Mechanical specifications

***Recommend use side mounting for better heat dissipation**

TECHNICAL DOCUMENT

Elimination of Heat

- Driver's reliable working temperature should be $<60^{\circ}\text{C}$, and motor working temperature should be $<80^{\circ}\text{C}$
- It is recommended to use automatic idle-current mode, namely current automatically reduce to 60% when motor stops, so as to reduce driver heating and motor heating;
- It is recommended to mount the driver vertically to maximize heat sink area. Use forced cooling method to cool the system if necessary.



Important NOTE: The driver must be mounted vertically onto a plate or a heat sinking to maximize heat sink area as shown in the above picture. Please use additional heat sinking or cool fan if necessary.

TECHNICAL DOCUMENT

5. Definition of Pin Signal

The 2P240 has two connectors, connector P1 for control signals connections, and connector P2 for power and motor connections. The following tables are brief descriptions of the two connectors.

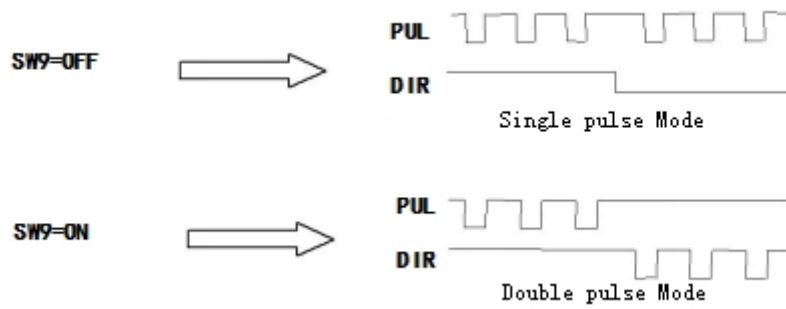
Connector P1 Configurations

Pin Function	Details
PUL+	Pulse signal: In single pulse (pulse/direction) mode, this input represents pulse signal, active at each rising or falling edge (set by inside jumper J1); 4-5V when PUL-HIGH, 0-0.5V when PUL-LOW. In double pulse mode, this input represents clockwise (CW) pulse, active at high level or low level (set by inside jumper J1). For reliable response, pulse width should be longer than 1.5 μ s. Series connect resistors for current-limiting when +12V or +24V used. The same as DIR and ENA signals.
PUL-	
DIR+(+5V)	DIR signal: In single-pulse mode, this signal has low/high voltage levels, representing two directions of motor rotation; in double-pulse mode (set by inside jumper J2), this signal is counter-clock (CCW) pulse, active at high level or low level (set by inside jumper J1). For reliable motion response, DIR signal should be ahead of PUL signal by 5 μ s at least. 4-5V when DIR-HIGH, 0-0.5V when DIR-LOW. Please note that motion direction is also related to motor-driver wiring match. Exchanging the connection of two wires for a coil to the driver will reverse motion direction.
DIR-(DIR)	
ENA+	Enable signal: This signal is used for enabling/disabling the driver. High level (NPN control signal, PNP and Differential control signals are on the contrary, namely Low level for enabling.) for enabling the driver and low level for disabling the driver. Usually left UNCONNECTED (ENABLED).
ENA-	

Selecting Pulse Signal Mode by SW9 (must keep power off during setting)

There are two jumpers J1 and J2 inside the 2P240 specifically for selecting effective pulse edge or effective level and control signal mode, as shown in figure 2. Default setting is PUL/DIR mode and upward-rising edge effective.

TECHNICAL DOCUMENT



Connector P2 Configurations

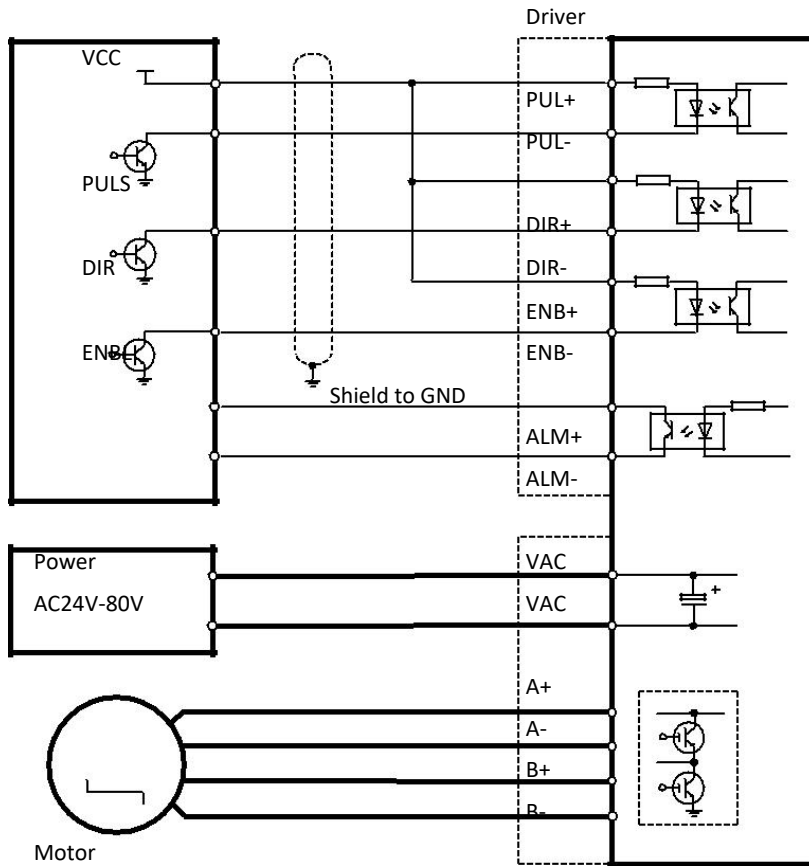
Pin Function	Details
VAC	Power supply 24~80 VAC, including voltage fluctuation and EMF voltage.
Phase A	Motor coil A (leads A+ and A-)
Phase B	Motor coil B (leads B+ and B-)

6. Control Signal Connector (P1) Interface

The 2P240 can accept differential and single-ended inputs (including NPN and PNP output). The 2P240 has 3 optically isolated logic inputs which are located on connector P1 to accept line driver control signals. These inputs are isolated to minimize or eliminate electrical noises coupled onto the drive control signals. Recommend use line driver control signals to increase noise immunity of the driver in interference environments. In the following figures, connections to open-collector and PNP signals are illustrated.

TECHNICAL DOCUMENT

Controller



- 驱动器与上位控制器的连接电缆最好选择带屏蔽，屏蔽层连接标准地或上位控制器接地端。

- 根据驱动器输出电流设置选择电源线和电机动力线的直径，一般不要小于 1mm² 线径。

Figure 3: Connection to NPN mode

TECHNICAL DOCUMENT

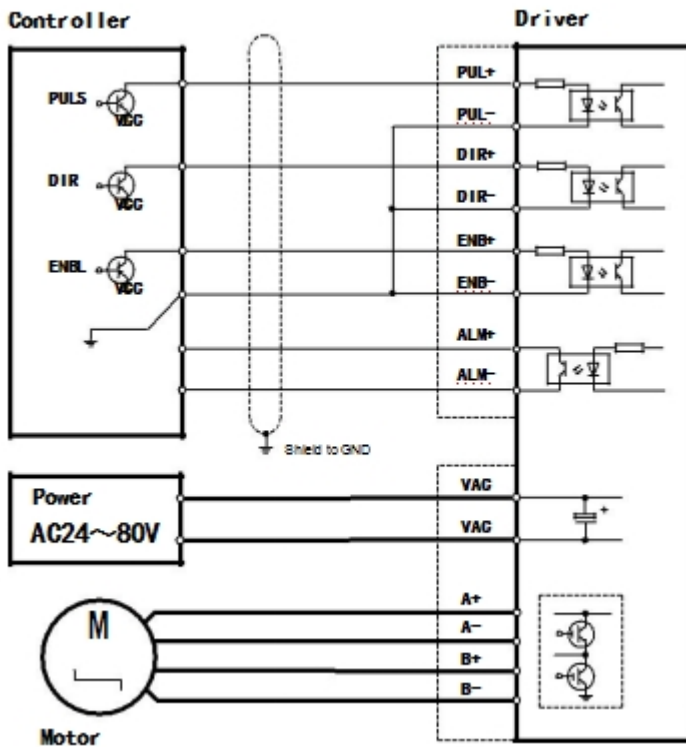


Figure 4: Connection to PNP signal (common-cathode)

注意:

- 驱动器与上位控制器的连接电缆最好选择带屏蔽，屏蔽层连接标准大地或上位控制器接地端。

- 根据驱动器输出电流设置选择电源线和电机动力线的直径，一般不要小于 1mm^2 线径。

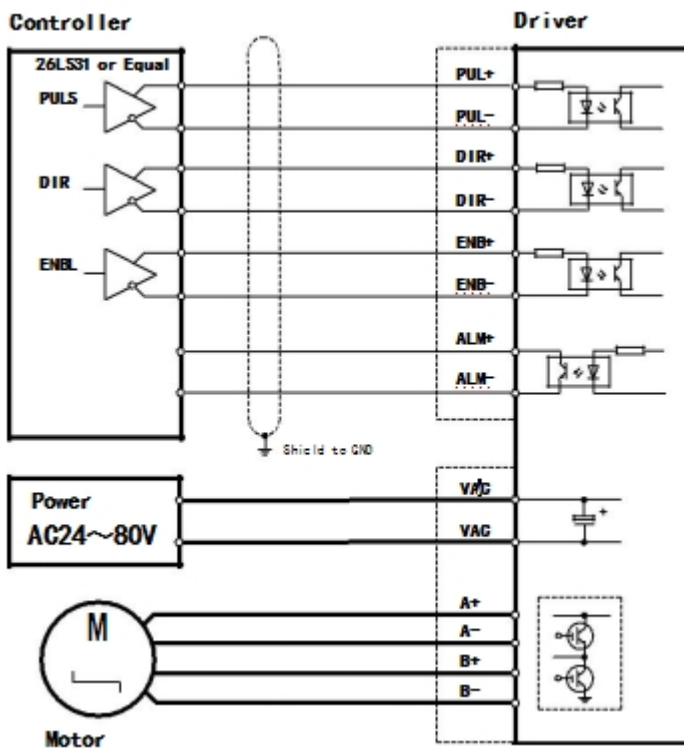


Figure 5: Differential Pulse Drive Control Mode

注意:

- 推荐采用此种脉冲输出方式。

- 差分驱动芯片推荐采用 26LS31 或同类品。

- 驱动器与上位控制器的连接电缆最好选择带屏蔽，屏蔽层连接标准大地或上位控制器接地端。

- 根据驱动器输出电流设置选择电源线和电机动力线的直径，一般不要小于 1mm^2 线径。

TECHNICAL DOCUMENT

7. Connecting the Motor

The 2P240 can drive any 2-phase and 4-phase hybrid stepping motors.

Connections to 4-lead Motors

4 lead motors are the least flexible but easiest to wire. Speed and torque will depend on winding inductance. In setting the driver output current, multiply the specified phase current by 1.4 to determine the peak output current.

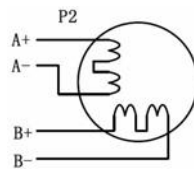


Figure 5: 4-lead Motor Connections

Connections to 6-lead Motors

Like 8 lead stepping motors, 6 lead motors have two configurations available for high speed or high torque operation. The higher speed configuration, or half coil, is so described because it uses one half of the motor's inductor windings. The higher torque configuration, or full coil, uses the full windings of the phases.

Half Coil Configurations

As previously stated, the half coil configuration uses 50% of the motor phase windings. This gives lower inductance, hence, lower torque output. Like the parallel connection of 8 lead motor, the torque output will be more stable at higher speeds. This configuration is also referred to as half chopper. In setting the driver output current multiply the specified per phase (or unipolar) current rating by 1.4 to determine the peak output current.

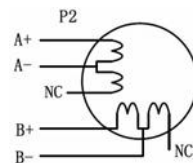


Figure 6: 6-lead motor half coil (higher speed) connections

TECHNICAL DOCUMENT

Full Coil Configurations

The full coil configuration on a six lead motor should be used in applications where higher torque at lower speeds is desired. This configuration is also referred to as full copper. In full coil mode, the motors should be run at only 70% of their rated current to prevent over heating.

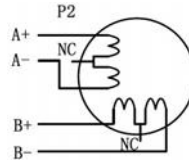


Figure 7: 6-lead motor full coil (higher torque) connections

Connections to 8-lead Motors

8 lead motors offer a high degree of flexibility to the system designer in that they may be connected in series or parallel, thus satisfying a wide range of applications.

Series Connections

A series motor configuration would typically be used in applications where a higher torque at lower speeds is required. Because this configuration has the most inductance, the performance will start to degrade at higher speeds. In series mode, the motors should also be run at only 70% of their rated current to prevent over heating.

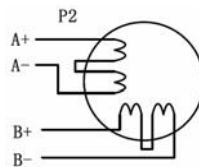


Figure 8: 8-lead motor series connection

Parallel Connections

An 8 lead motor in a parallel configuration offers a more stable, but lower torque at lower speeds. But because of the lower inductance, there will be higher torque at higher speeds. Multiply the per phase (or unipolar) current rating by 1.96, or the bipolar current rating by 1.4, to determine the peak output current.

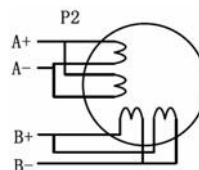


Figure 9: 8-lead motor parallel connections

TECHNICAL DOCUMENT

8. Power Supply Selection

The 2P240 can match medium and small size stepping motors (from Nema size 17 to 43) made by I.CH Motion or other motor manufactures around the world. To achieve good driving performances, it is important to select supply voltage and output current properly. Generally speaking, supply voltage determines the high speed performance of the motor, while output current determines the output torque of the driven motor (particularly at lower speed). Higher supply voltage will allow higher motor speed to be achieved, at the price of more noise and heating. If the motion speed requirement is low, it's better to use lower supply voltage to decrease noise, heating and improve reliability.

Regulated or Unregulated Power Supply

Both regulated and unregulated power supplies can be used to supply the driver. However, unregulated power supplies are preferred due to their ability to withstand current surge. If regulated power supplies (such as most switching supplies.) are indeed used, it is important to have large current output rating to avoid problems like current clamp, for example using 4A supply for 3A motor-driver operation. On the other hand, if unregulated supply is used, one may use a power supply of lower current rating than that of motor (typically 50% ~ 70% of motor current). The reason is that the driver draws current from the power supply capacitor of the unregulated supply only during the ON duration of the PWM cycle, but not during the OFF duration. Therefore, the average current withdrawn from power supply is considerably less than motor current. For example, two 3A motors can be well supplied by one power supply of 4A rating.

Multiple Drivers

It is recommended to have multiple drivers to share one power supply to reduce cost, if the supply has enough capacity. To avoid cross interference, DO NOT daisy-chain the power supply input pins of the drivers. (Instead, please connect them to power supply separately.)

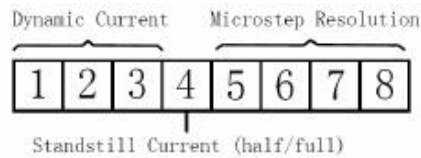
Selecting Supply Voltage

The power MOSFETS inside the 2P240 can actually operate within 24 ~ +80VAC or equal DC, including power input fluctuation and back EMF voltage generated by motor coils during motor shaft deceleration. Higher supply voltage can increase motor torque at higher speeds, thus helpful for avoiding losing steps. However, higher voltage may cause bigger motor vibration at lower speed, and it may also cause over-voltage protection or even driver damage. Therefore, it is suggested to choose only sufficiently high supply voltage for intended applications, and it is suggested to use power supplies with theoretical output voltage of +36 ~ +80VAC (not less than 400VA), leaving room for power fluctuation and back-EMF.

TECHNICAL DOCUMENT

9. Selecting Microstep Resolution and Driver Output Current

This driver uses an 8-bit DIP switch to set microstep resolution, and motor operating current, as shown below:



Microstep Resolution Selection

Microstep resolution is set by SW5, 6, 7, 8 of the DIP switch as shown in the following table:

Micro step	Steps/rev.(for 1.8°motor)	SW5	SW6	SW7	SW8
2	400	ON	ON	ON	ON
4	800	OFF	ON	ON	ON
8	1600	ON	OFF	ON	ON
16	3200	OFF	OFF	ON	ON
32	6400	ON	ON	OFF	ON
64	12800	OFF	ON	OFF	ON
128	25600	ON	OFF	OFF	ON
5	1000	ON	ON	ON	OFF
10	2000	OFF	ON	ON	OFF
20	4000	ON	OFF	ON	OFF
25	5000	OFF	OFF	ON	OFF
40	8000	ON	ON	OFF	OFF
50	10000	OFF	ON	OFF	OFF
100	20000	ON	OFF	OFF	OFF
200	40000	OFF	OFF	OFF	OFF

Current Settings

For a given motor, higher driver current will make the motor to output more torque, but at the same time causes more heating in the motor and driver. Therefore, output current is generally set to be such that the motor will not overheat for long time operation. Since parallel and serial connections of motor coils will significantly change resulting inductance and resistance, it is therefore important to set driver output current depending on motor phase current, motor leads and connection methods. Phase current rating supplied by motor manufacturer is important in selecting driver current, however the selection also depends on leads and connections.

TECHNICAL DOCUMENT

The first three bits (SW1, 2, 3) of the DIP switch are used to set the dynamic current. Select a setting closest to your motor's required current.

Dynamic current setting

S W 1	S W 2	S W 3	Peak	RMS	S W 1	S W 2	S W 3	Peak	RMS
ON	ON	ON	2.5 A	1.77 A	ON	ON	OFF	5.5 A	3.89 A
OFF	ON	ON	3.1 A	2.19 A	OFF	ON	OFF	6.3 A	4.46 A
ON	OFF	ON	3.8 A	2.69 A	ON	OFF	OFF	7.0 A	4.95 A
OFF	OFF	ON	4.5 A	3.18 A	OFF	OFF	OFF	7.8 A	5.51 A

Notes: Ref Current table on the screen printing is used for the users of the 2P240 to refer.



Due to motor inductance, the actual current in the coil may be smaller than the dynamic current setting, particularly under high speed condition.

Standstill current setting

SW4 is used for this purpose. OFF meaning that the standstill current is set to be half of the selected dynamic current, and ON meaning that standstill current is set to be the same as the selected dynamic current.

The current automatically reduced to 60% of the selected dynamic current one second after the last pulse. Theoretically, this will reduce motor heating to 36% (due to $P=I^2 * R$) of the original value. If the application needs a different standstill current, please contact I.CH Motion.

TECHNICAL DOCUMENT

10. Wiring Notes

- In order to improve anti-interference performance of the driver, it is recommended to use twisted pair shield cable.
- To prevent noise incurred in PUL/DIR signal, pulse/direction signal wires and motor wires should not be tied up together. It is better to separate them by at least 10 cm, otherwise the disturbing signals generated by motor will easily disturb pulse direction signals, causing motor position error, system instability and other failures.
- If a power supply serves several drivers, separately connecting the drivers is recommended instead of daisy-chaining.
- It is prohibited to pull and plug connector P2 while the driver is powered ON, because there is high current flowing through motor coils (even when motor is at standstill). Pulling or plugging connector P2 with power on will cause extremely high back-EMF voltage surge, which may damage the driver.

11. Typical Connection

A complete stepping system should include stepping motor, stepping driver, power supply and controller (pulse generator). A typical connection is shown as figure 10.

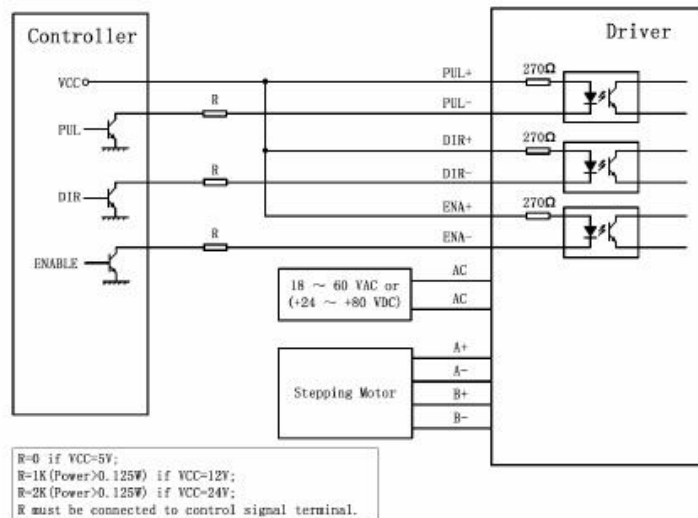


Figure 10: Typical connection

TECHNICAL DOCUMENT

12. Sequence Chart of Control Signals

In order to avoid some fault operations and deviations, PUL, DIR and ENA should abide by some rules, shown as following diagram:

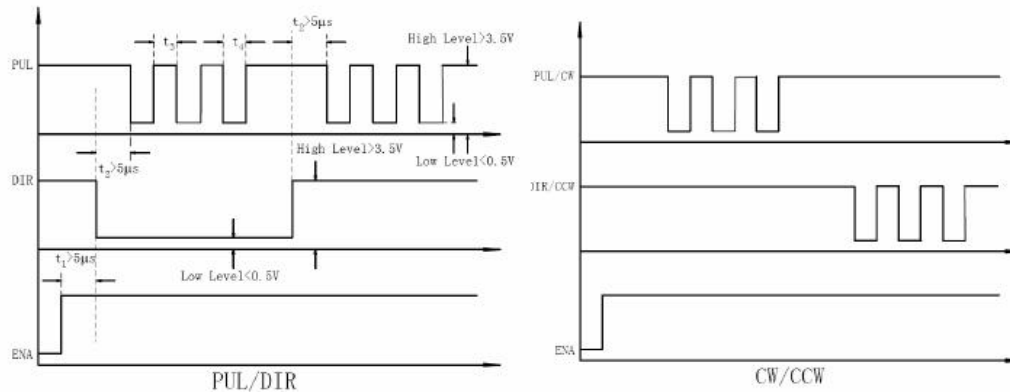


Figure 11: Sequence chart of control signals

Remark:

- a)t1: ENA must be ahead of DIR by at least $5\mu\text{s}$. Usually, ENA+ and ENA- are NC (not connected). See "Connector P1 Configurations" for more information.
- b)t2: DIR must be ahead of PUL effective edge by $5\mu\text{s}$ to ensure correct direction;
- c)t3: Pulse width not less than $1.5\mu\text{s}$;
- d)t4: Low level width not less than $1.5\mu\text{s}$.

13. Protection Functions

To improve reliability, the driver incorporates some built-in protection features.

Low-voltage and Over-voltage protection

When power supply voltage is lower than 13VAC or +18VDC, short-voltage protection will be activated and power indicator LED will turn off. When power supply voltage exceeds 67VAC or +94VDC, over-voltage protection will be activated and Alarm indicator LED will turn on.

Over-current Protection

TECHNICAL DOCUMENT

Protection will be activated when continuous current reaches to 16A.

Short Circuit Protection

Protection will be activated in case of short circuit between motor coils or between motor coil and ground.

Over temperature Protection

Protection will be activated when driver temperature reaches to 75°C.

When above protections are active, the motor shaft will be free or the RED LED will turn red (except short-voltage protection).

Reset the driver by repowering it to make it function properly after removing above problems.

14. Frequently Asked Questions

In the event that your driver doesn't operate properly, the first step is to identify whether the problem is electrical or mechanical in nature. The next step is to isolate the system component that is causing the problem. As part of this process you may have to disconnect the individual components that make up your system and verify that they operate independently. It is important to document each step in the troubleshooting process. You may need this documentation to refer back to at a later date, and these details will greatly assist our Technical Support staff in determining the problem should you need assistance.

Many of the problems that affect motion control systems can be traced to electrical noise, controller software errors, or mistake in wiring.

TECHNICAL DOCUMENT

Problem Symptoms and Possible Causes

Symptoms	Possible Problems
Motor is not rotating	No power
	Microstep resolution setting is wrong
	DIP switch current setting is wrong
	Fault condition exists
Motor rotates in the wrong direction	The driver is disabled
	Motor phases may be connected in reverse
The driver in fault	DIP switch current setting is wrong
	Something wrong with motor coil
Erratic motor motion	Control signal is too weak
	Control signal is interfered
	Wrong motor connection
	Something wrong with motor coil
Motor stalls during acceleration	Current setting is too small, losing steps
	Motor stalls during acceleration
	Motor is undersized for the application
	Acceleration is set too high
	Powersupply voltage too low
Excessive motor and driver heating	Inadequate heat sinking/cooling
	Automatic current reduction function not being utilized
	Current is set too high

15. Application

It is suitable for many stepper motors, from NEMA 17 to NEMA 34. It can be used in many machines, such as pick-place devices, engraving machines and so on. It is an ideal solution for the application that requires low-speed smoothness and high speed performance.