

RTS series Touch Screen

Highlight:

- ❖ Projected capacitive, multi-touch Glass+Glass touch screen.
- ❖ Humanistic man-computer connection and easy-to-use configuration software.
- ❖ Industrial isolation power supply, spray coating treatment and applicable to various harsh environment.
- ❖ Photoelectricity isolation communication ports.



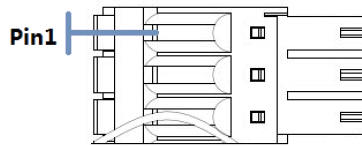
General Specification:

Model		RTS010
Technical parameter	Display	9.7" 4:3 TFT LCD
	Resolution(WxH):	1024×768
	Colors	24-bit color
	Brightness	350cd/m ²
	Backlight	LED
	Backlight Life	50000 hours
	Touch Panel	Glass+Glass projective multi-touch capacitive HMI
	CPU	600MHz ARM Cortex A8
	Memory	128M Flash +128M DDR3
	RTC	Built-in
	SD Card	Supporting
	Ethernet	10M/100M Ethernet
	USB port	USB Device 2.0*1, USB Host 2.0*1
	Download project	U-disk/USB Device/Ethernet
	COM Port	COM1: RS232/RS485/RS422; COM2/COM4: RS485; COM3: RS232
Specifications	Power Consumption	< 6W
	Input Power	DC24V, working range DC 9V~28V
	Power Protection	Protected from thunder strike and surging
	Power down allowed	< 3ms
	CE	Complied with EN61000-6-2:2005, EN61000-6-4:2007,CE
	RoHS	RoHS, Surge Immunity:±1KV, EFT:±2KV; ESD:4KV, Air:8KV
Environment Specifications	Operating Temperature:	-10~60C
	Storage Temperature:	-20~70C

	Operating Humidity:	10~90%RH (no condensate)
	Vibration Endurance:	10~25Hz (X、Y、Z direction 2G/30 minutes)
Others:	Degree of Protection:	Front IP65(with NEMA panel),Back IP20
	Shell Material:	ABS+PC
	Panel Cutout:	230×180 (mm)
	Dimension:	247mm×197mm×31.5mm
	Weight:	About 1240g

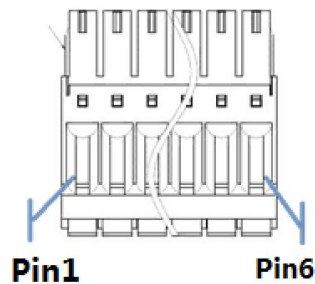
Power terminals:

Pin1	FG
Pin2	0V
Pin3	DC24V



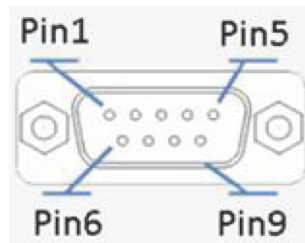
COM2/COM4 Communication Ports

Pin1	A+(COM2)
Pin2	B-(COM2)
Pin3	GND
Pin4	A+(COM4)
Pin5	B-(COM4)
Pin6	GND

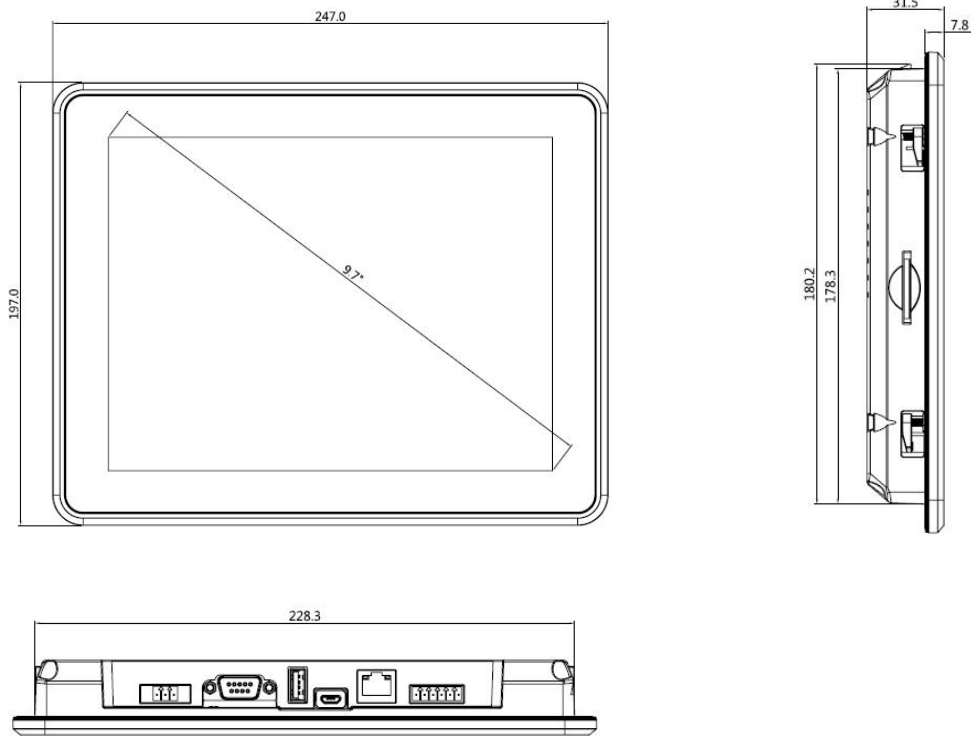


COM1/COM3(9DB Male Ports)

Pin1	Rx-(B)
Pin2	RxD_PLC (COM1 RS232)
Pin3	TxD_PLC (COM1 RS232)
Pin4	Tx+
Pin5	GND
Pin6	Rx+(A)
Pin7	RxD_PC/PLC (COM3 RS232)
Pin8	TxD_PC/PLC (COM3 RS232)
Pin9	Tx+



Dimension



Hole Dimension

230mm(+/-1.0mm)*180mm(+/-1.0mm)