



for

LED



SimpoleD

SimpoleD-LUME-160100 for Lumens Modular Passive LED Cooler Φ 160mm

Features VS Benefits

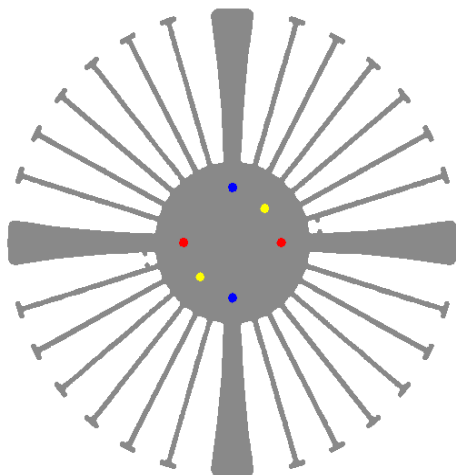
- * The SimpoleD-LUME-160100 Lumens Modular Passive LED Coolers are specifically designed for luminaires using the Lumens LED engines.
- * Mechanical compatibility with direct mounting of the LED engines to the LED cooler and thermal performance matching the lumen packages.
- * For spotlight and downlight designs from 3000 to 10000 lumen.
- * Thermal resistance range R_{th} 0.56°C/W.
- * Modular design with mounting holes foreseen for direct mounting of Lumens ERC2530, ERC2540, ERC3050 and ERC3070 LED engines.
- * Diameter 160mm - standard height 100mm Other heights on request.
- * Extruded from highly conductive aluminum.



Lumens LED engine and radiator assembly directly Mounting Options

- * Below you find an overview of Lumens COB's and LED modules which standard fit on the SimpoleD coolers.
- * In this way mechanical after work and related costs can be avoided, and lighting designers can standardize their designs on a limited number of LED coolers.

LUMENS



Lumens LED engines for which Zhaga LED Modules holders are available.

For the ERC2530/2540 LED engines.

ERC2530S8xxHE;	ERC2540S8xxHE;
ERC2530S9xxHE;	ERC2540S9xxHE;

Mounting with machine screws M3x8mm;

NO.1:With Zhaga Book 3 LED holder for red indicator marks.

(Ideal Holder:50-2102CR);

(BJB Holder:47.319.2141.50);

(AAG.STUCCHI holder:8401-G2);

NO.2:Without the LED holder for yellow indicator marks.

For the ERC3050 LED engines.

ERC3050S8xxHE;

ERC3050S9xxHE;

For the ERC3070 LED engines.

ERC3070S8xxHE;

ERC3070S9xxHE;

Mounting with machine screws M3x8mm;

NO.1:With Zhaga Book 3 LED holder for red indicator marks.

(Ideal Holder:50-2234C);

(BJB holder:47.319.2151.50);

NO.2:Without the LED holder for blue indicator marks.

Please refer to the www.lumensleds.com data provided on the manual.

Tel:+86-769-39023131

E-fax:+86-(020)28819702 ext:22122

Email:sales@mingfatech.com

Http://www.heatsinkled.com

Http://www.mingfatech.com





SimpLED

SimpLED-LUME-160100 for Lumens Modular Passive LED Cooler Φ 160mm

Mounting Options and Drawings & Dimensions

Example: SimpLED-LUME-160100-B-3

Example: SimpLED-LUME-160 **1** - **2** - **3**

1 Height (mm)

2 Anodising Color
 B-Black
 C-Clear
 Z-Custom

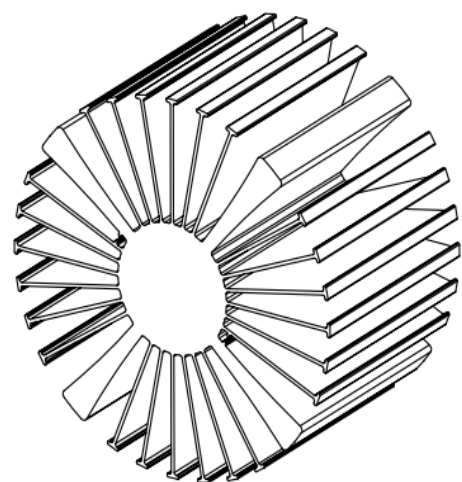
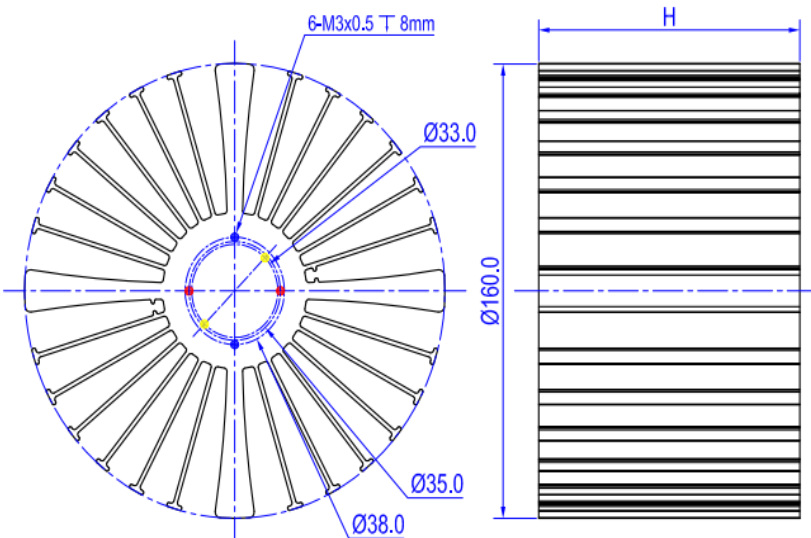
3 Mounting Options - see graphics for details
 Combinations available
 Ex.order code - 12
 means option 1 and 2 combined

Notes:

- Mentioned models are an extraction of full product range.
- For specific mechanical adaptations please contact MingfaTech.
- MingfaTech reserves the right to change products or specifications without prior notice.

MOUNTING OPTION	Module type	Holder NO.	THREAD	THREAD DEPTH	THREAD HOLE DISTANCE
1	ERC2530 ERC2540	/	M3	8mm	33.0mm/ 2-@1100°
2	ERC2530 ERC2540	Ideal 50-2102CR	M3	8mm	35.0mm/ 2-@1100°
		BJB 47.313.2141.50			
	AAG. 8401-G2				
	ERC3050 ERC3070	Ideal 50-2234C			
		BJB 47.313.2131.50			
3	ERC3050 ERC3070	/	M3	8mm	38.0mm/ 2-@1100°


LUMENS



SimpoleD

SimpoleD-LUME-160100 for Lumens Modular Passive LED Cooler Φ 160mm

The thermal data table

	 <i>SimpoleD-160100</i>
Model No.	SimpoleD-LUME-160100
Size	D160xH100mm
Material	AL6063-T5
Finish	Black Anodized
Weight(g)	2104.0
Thermal Wattage	88.6W
HeatsinkΘs-a²	342742
Heat Sink T Rise Above Ambient	0.56

Dissipated Power Pd(W)	Pd = Pe x (1- η L)	Heat sink to ambient thermal resistance Rhs-amb ($^{\circ}$ C/W)	Heat sink to ambient temperature rise Ths-amb ($^{\circ}$ C)
		SimpoleD-LUME-160100	SimpoleD-LUME-160100
15.0		0.64	9.7
30.0		0.56	17.0
45.0		0.52	23.7
60.0		0.50	30.0
75.0		0.48	36.0
90.0		0.46	41.8
100.0		0.45	45.6

