



*HibayLED*

**HibayLED-SEO-230126**

**Seoul Modular vacuum phase-transition LED Heat Sink (Passive) Φ230mm**

**Features VS Benefits**

- \* The HibayLED-SEO-230126 Seoul Modular vacuum phase-transition LED Heat Sinks (Passive) are specifically designed for luminaires using the Seoul LED engines.
- \* Mechanical compatibility with direct mounting of the LED engines to the LED cooler and thermal performance matching the lumen packages.
- \* For Highbay designs from 10000 to 18000 lumen.
- \* Thermal resistance range Rth 0.34°C/W.
- \* Modular design with mounting holes foreseen for direct mounting of Seoul ZC40 Series,ZC60 Series and ZC100 Series COB engines.
- \* Diameter 230mm - standard height 126mm Other heights on request.

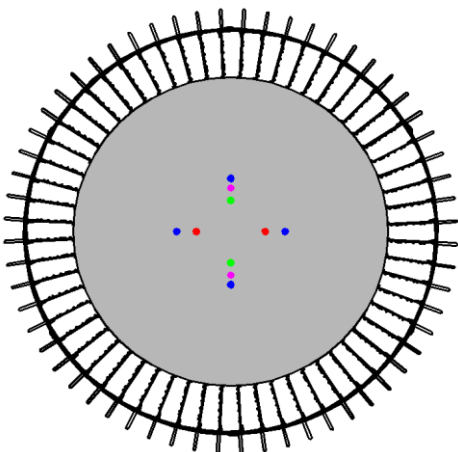


**Unique Advantages**

- \* Integration of heat super conduction and heat dissipation.Reduce heat conduct resistance of heatsink to ZERO;
- \* Low heat conduct tempereure difference, equivalent heatconductive ability 20 times better than copper;
- \* More than 30% reduce of volume and weight than normal heatsinks;
- \* Compared to normal extrusion heatsinks,Mingfa Tech's our vacuum phase-transition heatsinks can adapt higher power for the same size;
- \* Compared to normal extrusion heatsinks,Mingfa Tech's vacuum phase-transition LED heatsinks are much smaller volume and lighter weight for the same power;
- \* All aluminium,cost effective;



SEOUL SEMICONDUCTOR



**Seoul COB engines Mounting Options**

**ZC40 Series COB Modules name:**

- SDW05F1C;
- SDW85F1C;
- SDW95F1C;

**ZC60 Series COB Modules name:**

- SDW06F1C; SDW86F1C;

**Zhaga Book3 Holes:**

- BJB Semiconductor Spotlight connector:47.319.2030.50;
- AAG.STUCCHI:8102-G2;
- Red indicator marks
- Mounting with 2 screws M3x8mm.
- Direct mounting with 2 screws M3x6mm.
- Green indicator marks

**ZC 100 Series LED Modules name:**

- SDW07F1C; SDW87F1C;

**Zhaga Book3 Holes:**

- BJB Spotlight connector 47.319.4160.50
- Mounting with 4 screws M3 x 8mm
- Blue indicator marks
- Direct mounting with 2 screws M3.5 x 6mm
- Pink indicator marks



**HibayLED**

**HibayLED-SEO-230126**

**Seoul Modular vacuum phase-transition LED Heat Sink (Passive)  $\Phi$ 230mm**

**Mounting Options and Drawings & Dimensions**

Example:HibayLED-SEO-230126-B-1,2

Example:HibayLED-SEO-230126 **1** - **2**

**1** Anodising Color

B-Black

C-Clear

Z-Custom

**2** Mounting Options - see graphics for details Combinations available

Ex.order code - 12

means option 1 and 2 combined

**Notes:**

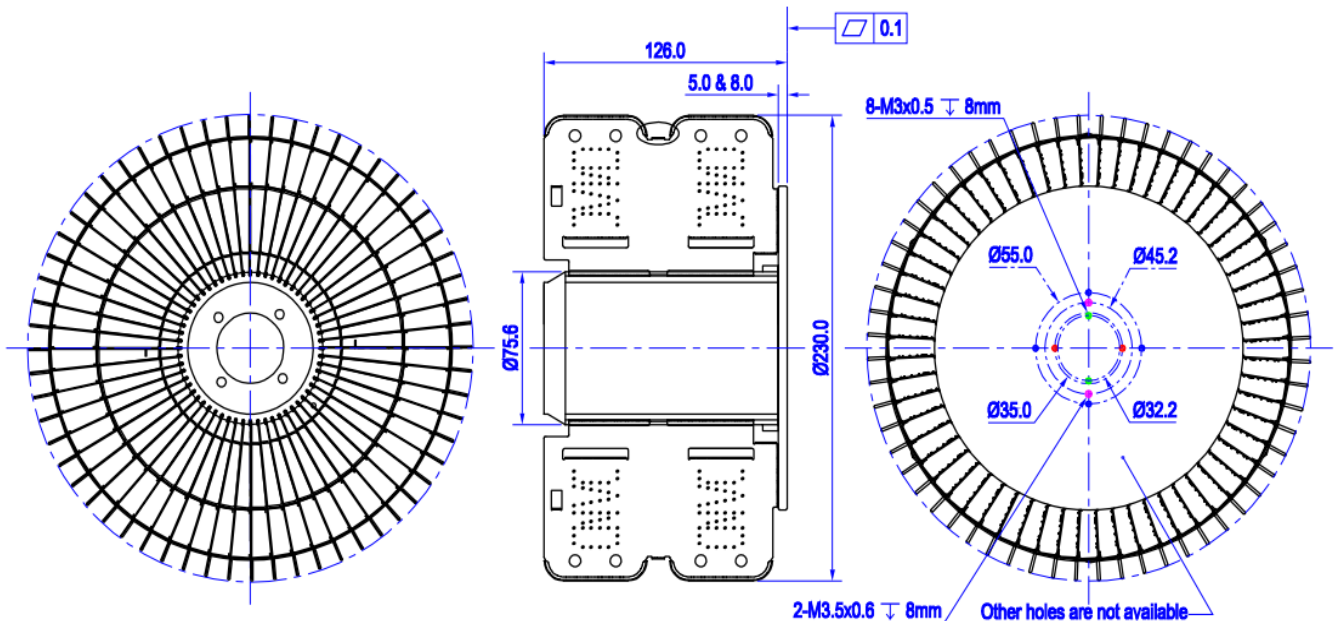
- Mentioned models are an extraction of full product range.
- For specific mechanical adaptations please contact MingfaTech.
- MingfaTech reserves the right to change products or specifications without prior notice.



**SEOUL SEMICONDUCTOR**




MOUNTING OPTION	Module type	Holder NO.	THREAD	THREAD DEPTH	THREAD HOLE DISTANCE
1	ZC40 ZC60	/	M3	6mm	32.2mm/ 2-@180°
2		AAG.STUCCHI 8102-G2 BJB 47.313.2030.50			35.0mm/ 2-@180°
3	ZC100	/	M3.5	6mm	45.2mm/ 2-@180°
4		BJB 47.313.2030.50	M3	6mm	55mm/ 4-@90°



Tel:+86-769-39023131  
 E-fax:+86-(020)28819702 ext:22122  
 Email:sales@mingfatech.com  
 Http://www.heatsinkled.com  
 Http://www.mingfatech.com



The thermal data table

	 <p>HibayLED</p>
Model No.	HibayLED-SEO-230126
Size	$\Phi 230 \times H 126\text{mm}$
Material	AL1070
Finish	Clear Anodized
Weight(gr)	1590.0
Thermal Wattage	150.0W
Heatsink $\Theta_s\text{-a}^2$	1361840
Heat Sink T Rise Above Ambient	0.34

