

GERNERAL SPECIFICATIONS

Step Angle(Accuracy)----- 0.9°(±5%)
 Resistance Accuracy ----- ±10%
 Inductance Accuracy ----- ±20%
 Temperature Rise ----- 80°C Max.
 Ambient Temperature ----- -10°C~50°C
 Insulation Resistance ----- 100Mohm Min, 50VDC
 Dielectric Strength ----- 500VAC for one minute
 Shaft Radial Play ----- 0.06Max. (450 g-load)
 Shaft Axial Play ----- 0.08Max.(450 g-load)

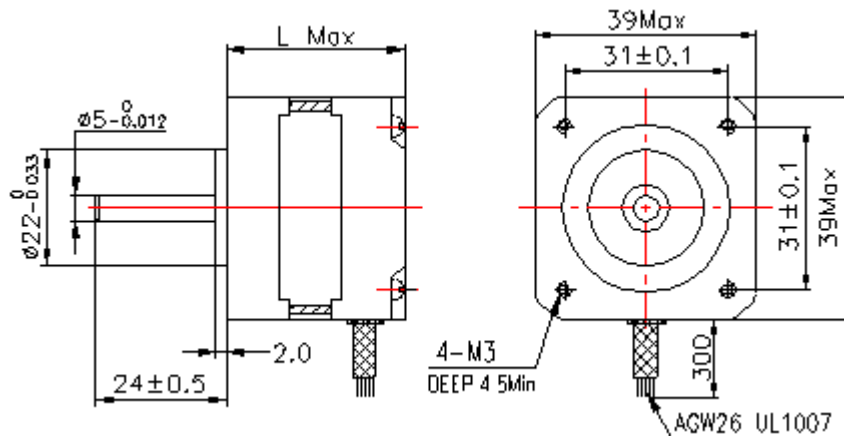
Picture



Electrical Specification

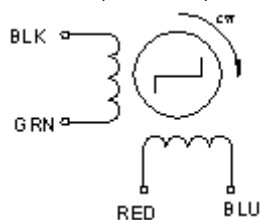
| Series Model | Step Angle (°) | L (mm) | Rated Current (A) | Phase Resistance (Ω) | Phase Inductance (mH) | Holding Torque (N.cm) | Detent Torque (N.cm) | Lead Wire (NO.) | Motor Weight (g) |
|--------------|----------------|--------|-------------------|----------------------|-----------------------|-----------------------|----------------------|-----------------|------------------|
| H392-00804 | 0.9 | 20 | 0.42 | 20 | 16 | 8 | 0.5 | 4 | 100 |
| H392-01406 | 0.9 | 26 | 0.6 | 9 | 16 | 14 | 0.8 | 4 | 120 |
| H392-01606 | 0.9 | 34 | 0.6 | 9 | 15 | 16 | 1.1 | 4 | 160 |
| H392-01612 | 0.9 | 34 | 1.2 | 2.5 | 3.6 | 16 | 1.1 | 4 | 160 |
| H392-01204 | 0.9 | 34 | 0.4 | 30 | 16 | 12 | 1.1 | 6 | 160 |
| H392-02206 | 0.9 | 40 | 0.6 | 12 | 20 | 22 | 1.4 | 4 | 210 |
| H392-02212 | 0.9 | 40 | 1.2 | 3.2 | 5.5 | 22 | 1.4 | 4 | 210 |
| H392-01804 | 0.9 | 40 | 0.4 | 30 | 26 | 18 | 1.4 | 6 | 210 |

Mechanical Dimensions

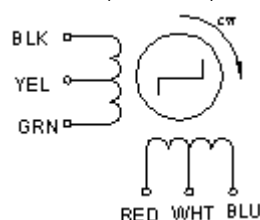


Standard Leadwire Configuration

BI-POLAR(4 LEADS)



UNI-POLAR(6 LEADS)



Complementary Products:

- Special shaft
- Encoders
- Connector
- Long leadwires