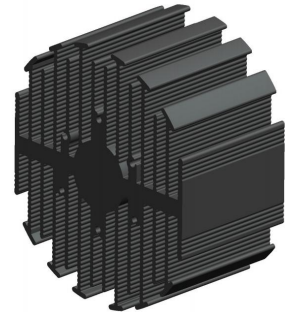


eLED

eLED-PHI-9550 for Philips Modular Passive Star LED Heat Sink Φ 95mm

Features VS Benefits

- * The eLED-PHI-9550 Philips Modular Passive LED Coolers are specifically designed for luminaires using the Philips LED engines.
- * Mechanical compatibility with direct mounting of the LED engines to the LED cooler and thermal performance matching the lumen packages.
- * For spotlight and downlight designs from 1800 to 4500 lumen.
- * Thermal resistance range R_{th} 1.35°C/W.
- * Modular design with mounting holes foreseen for direct mounting of Philips SLM and TDLM engines.
- * Diameter 95mm - standard height 50mm Other heights on request.
- * Extruded from highly conductive aluminum.



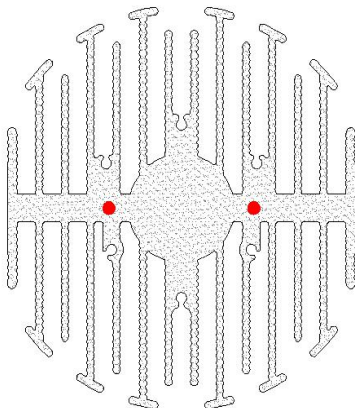
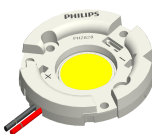
Zhaga LED engine and radiator assembly is a unified future international standardization

- * Below you find an overview of Philips engines COB's and LED modules which standard fit on the eLED coolers.
- * In this way mechanical after work and related costs can be avoided, and lighting designers can standardize their designs on a limited number of LED coolers.

PHILIPS



A. A. G.
STUCCHI
ideas are made of light



Philips LED engines for which Zhaga book3 LED Modules holders are available.

Philips Fortimo SLM LED modulars Gen4:

- Fortimo LED SLM 3000LM 830 L15 G4;
- Fortimo LED SLM 3000LM 840 L15 G4;
- Fortimo LED SLM 3000LM 927 L15 G4;
- Fortimo LED SLM 3000LM 930 L15 G4;
- Fortimo LED SLM 4500LM 830 L19 G4;
- Fortimo LED SLM 4500LM 840 L19 G4;
- Fortimo LED SLM 4500LM 927 L19 G4;
- Fortimo LED SLM 4500LM 930 L19 G4;

Philips Fortimo SLM LED modulars Gen3:

- Fortimo LED SLM 3000LM 830 L19 G3;
- Fortimo LED SLM 3000LM 840 L19 G3;
- Fortimo LED SLM 3000LM 930 L19 G3;
- Fortimo LED SLM 4500LM 840 L22 G3;
- Fortimo LED SLM 4500LM 930 L22 G3;

Philips Fortimo SLM LED modulars Gen2:

- Fortimo LED SLM 3000LM 827 L13 G2;
- Fortimo LED SLM 3000LM 835 L13 G2;

NO'1: With Zhaga Book 3 LED holder for red indicator marks.
Direct mounting with machine screws M3x8mm;

Philips Fortimo TDLM LED modulars:

- Fortimo TDLM 1100 15W/830 230V G2;
- Fortimo TDLM 1100 14W/840 230V G2;
- Fortimo TDLM 1100 16W/830 230V G3;
- Fortimo TDLM 1100 15W/840 230V G3;

With Zhaga Book 2 LED holder.
(BJB Holder:28.107.2001.50),
(AAG.STUCCHI holder:7100-D2);

eLED

eLED-PHI-9550 for Philips Modular Passive Star LED Heat Sink $\Phi 95\text{mm}$

Mounting Options and Drawings & Dimensions

Example: eLED-PHI-9550-B-1.2

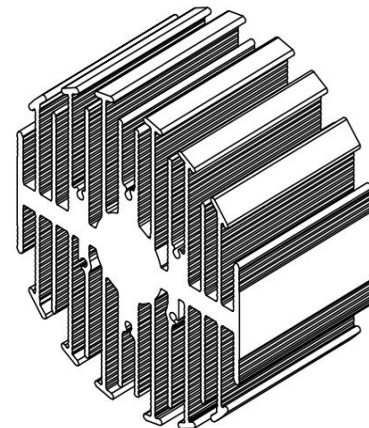
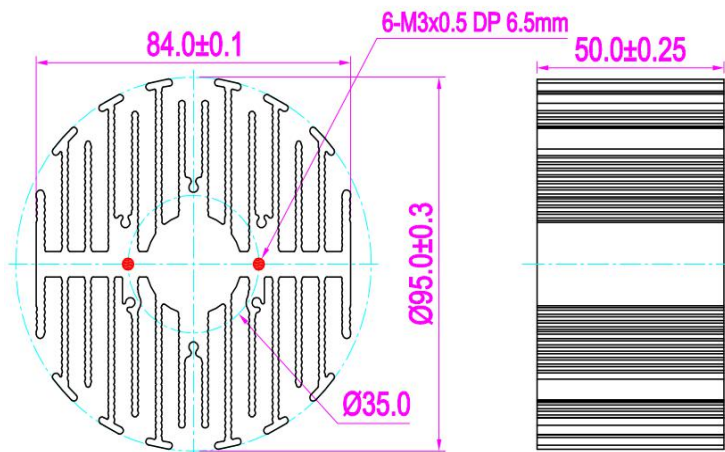
Example: eLED-PHI-9550-**1**-**2**-**3**

- 1** Height (mm)
- 2** Anodising Color
B-Black
C-Clear
Z-Custom
- 3** Mounting Options - see graphics for details Combinations available
Ex.order code - 12
means option 1 and 2 combined

Notes:

- Mentioned models are an extraction of full product range.
- For specific mechanical adaptations please contact MingfaTech.
- MingfaTech reserves the right to change products or specifications without prior notice.

MOUNTING OPTION	Module type	Holder NO.	THREAD	THREAD DEPTH	THREAD HOLE DISTANCE
1	Fortimo SLM	/	M3	6.5mm	35.0mm/ 2-@180°



for

LED

eLED

eLED-PHI-9550 for Philips Modular Passive Star LED Heat Sink Φ 95mm

The thermal data table

	 <i>eLED-9550</i>
Model No.	eLED-PHI-9550
Size	Φ95xH50mm
Material	AL6063-T5
Finish	Black Anodized
Weight(gr)	353
Thermal Wattage	40.5W
HeatsinkΘs-a²	108320
Heat Sink T Rise Above Ambient	1.25

Dissipated Power Pd(W)	Pd = Pe x (1-ηL)	Heat sink to ambient thermal resistance Rhs-amb (°C/W)	Heat sink to ambient temperature rise T _{hs-amb} (°C)
		eLED-PHI-9550	
10		1.80	18
20		1.40	28
30		0.97	29
40		1.25	50
50		1.18	59

