



for

LED



*SimpoleD*

**SimpoleD-LUME-8180 for Lumens Modular Passive LED Cooler Ø81mm**

### Features VS Benefits

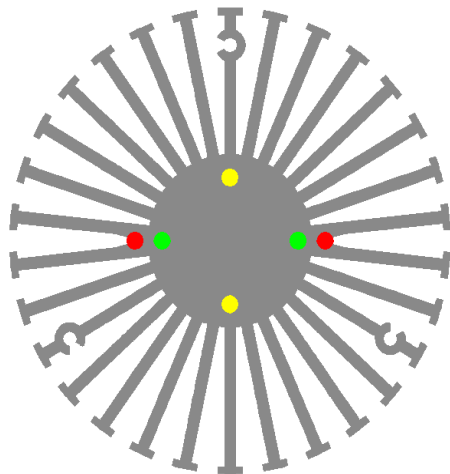
- \* The SimpoleD-LUME-8180 Lumens Modular Passive LED Coolers are specifically designed for luminaires using the Lumens LED engines.
- \* Mechanical compatibility with direct mounting of the LED engines to the LED cooler and thermal performance matching the lumen packages.
- \* For spotlight and downlight designs from 1000 to 3600 lumen.
- \* Thermal resistance range Rth 1.6°C/W.
- \* Modular design with mounting holes foreseen for direct mounting of Lumens ERC1507 ERC1512 and ERC1820 LED engines.
- \* Diameter 81mm - standard height 80mm Other heights on request.
- \* Extruded from highly conductive aluminum.



### Lumens LED engine and radiator assembly directly Mounting Options

- \* Below you find an overview of Lumens COB's and LED modules which standard fit on the SimpoLED coolers.
- \* In this way mechanical after work and related costs can be avoided, and lighting designers can standardize their designs on a limited number of LED coolers.

# LUMENS



Lumens LED engines for which Zhaga LED Modules holders are available.

For the ERC1507/1512 LED engines.

ERC1507S8xxHE;	ERC1512S8xxHE;
ERC1507S9xxHE;	ERC1512S9xxHE;

Mounting with machine screws M3x8mm;

NO.1:With Zhaga Book 3 LED holder for red indicator marks.

(Ideal Holder:50-2001CR);

NO.2:With Zhaga Book 11 LED holder for gree indicator marks.

(BJB holder:47.319.6101.50);

(AAG.STUCCHI 8400-G2);

NO.3:Without the LED holder for yellow indicator marks.

For the ERC1820 LED engines.

ERC1820S8xxHE;
ERC1820S9xxHE;

Mounting with machine screws M3x8mm;

NO.1:With Zhaga Book 3 LED holder for red indicator marks.

(Ideal Holder:50-2101CR);

(BJB holder:47.319.2131.50);

NO.2:Without the LED holder for gree indicator marks.

Please refer to the [www.lumensleds.com](http://www.lumensleds.com) data provided on the manual.

*SimpoleD*

SimpoleD-LUME-8180 for Lumens Modular Passive LED Cooler Ø81mm

**Mounting Options and Drawings & Dimensions**

Example: SimpoleD-LUME-8180-B-3

Example: SimpoleD-LUME-81 **1** - **2** - **3**

**1** Height (mm)

**2** Anodising Color

B-Black

C-Clear

Z-Custom

**3** Mounting Options - see graphics for details Combinations available

Ex.order code - 12

means option 1 and 2 combined

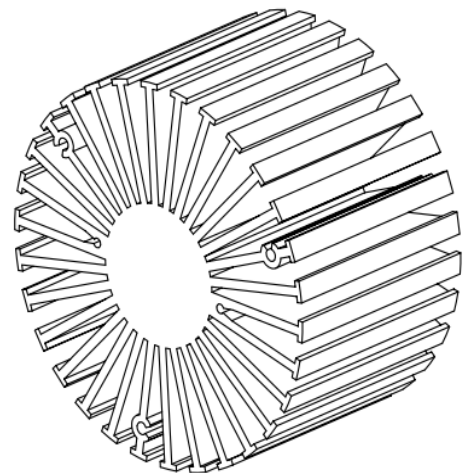
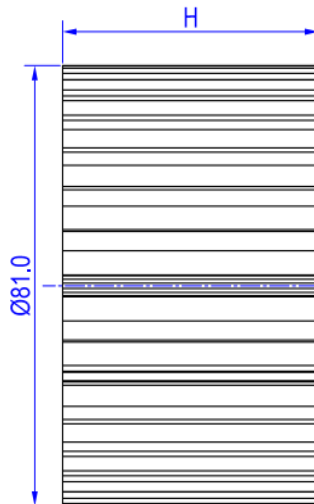
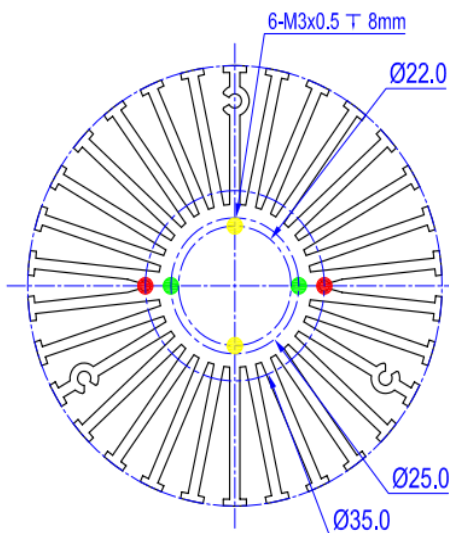
Notes:

- Mentioned models are an extraction of full product range.
- For specific mechanical adaptations please contact MingfaTech.
- MingfaTech reserves the right to change products or specifications without prior notice.

**LUMENS**



MOUNTING OPTION	Module type	Holder NO.	THREAD	THREAD DEPTH	THREAD HOLE DISTANCE
1		/	M3	8mm	22.0mm/ 2-@180°
2	ERC1507 ERC1512	AAG.STUCCHI 8400-G2	M3	8mm	25.0mm/ 2-@180°
		BJB 47.313.6101.50			
	ERC1820	/			
3	ERC1507 ERC1512	Ideal Holde 50-2001CR	M3	8mm	35.0mm/ 2-@180°
		Ideal Holde 50-2101CR			
	BJB 47.313.2131.50				
	ERC1820	/			



*SimpLED*

SimpLED-LUME-8180 for Lumens Modular Passive LED Cooler  $\Phi$ 81mm

The thermal data table

	 <i>SimpLED-8180</i>
<b>Model No.</b>	<b>SimpLED-LUME-8180</b>
<b>Size</b>	<b><math>\Phi</math>81xH80mm</b>
<b>Material</b>	<b>AL6063-T5</b>
<b>Finish</b>	<b>Black Anodized</b>
<b>Weight(g)</b>	<b>508.0</b>
<b>Thermal Wattage</b>	<b>31.2W</b>
<b>Heatsink<math>\Theta</math>s-a<sup>2</sup></b>	<b>148406</b>
<b>Heat Sink T Rise Above Ambient</b>	<b>1.6</b>

Dissipated Power Pd(W)	Pd = Pe x (1- $\eta$ L)	Heat sink to ambient thermal resistance Rhs-amb (°C/W)	Heat sink to ambient temperature rise Ths-amb (°C)
		SimpLED-LUME-8150	SimpLED-LUME-8150
7.0		2.14	15.0
14.0		1.82	25.5
21.0		1.66	35.0
28.0		1.53	43.0
30.0		1.72	50.7

