



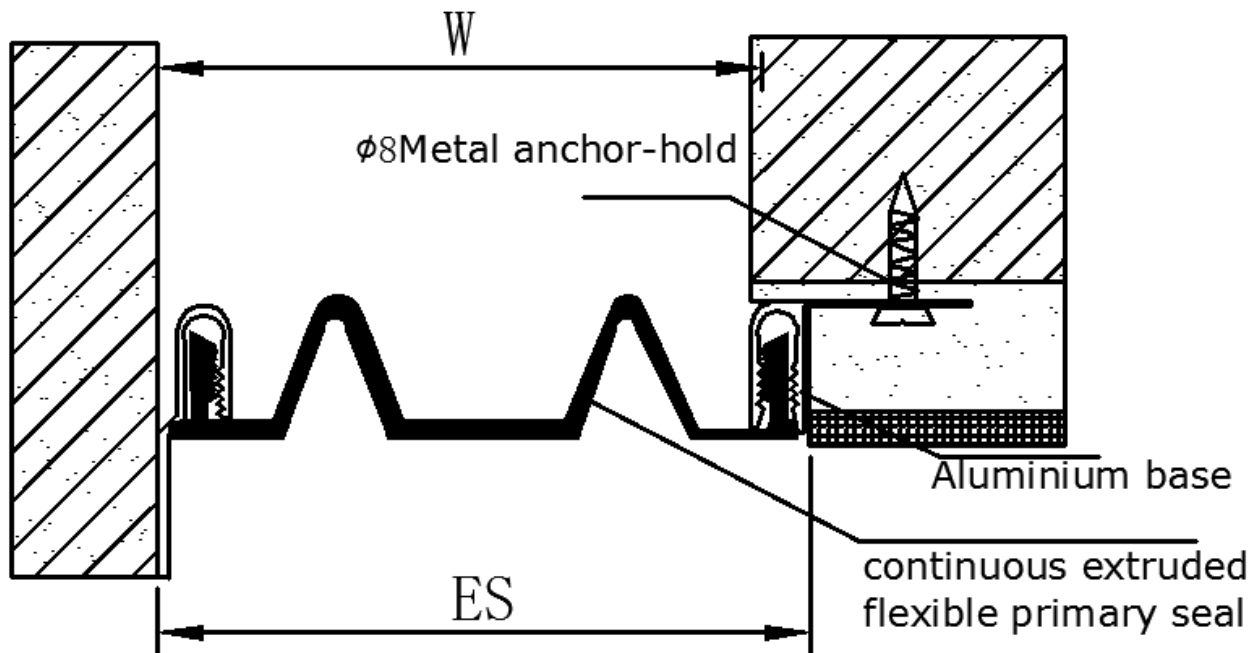
MEISHUO Building Materials CO.,Ltd

Office: No.608, Huaqiao Square, Pukou district, Nanjing,China

Tel: 0086-025-58196288 Fax:0086-025-58196399

Website: www.msbox.com E-mail:sariel@msbox.com

MSQ-QDJZ EXPANSION JOINT SPEC DATA





MEISHUO Building Materials CO.,Ltd

Office: No.608, Huaqiao Square, Pukou district, Nanjing,China

Tel: 0086-025-58196288 Fax:0086-025-58196399

Website: www.msbox.com E-mail:sariel@msbox.com

MSQ-QDJZ EXPANSION JOINT SPEC DATA

Product Description:

An architectural line of thermal, seismic, waterproof and fire rated expansion joint systems meeting the aesthetic and structural demands of airports, hospitals, shopping malls and other building types.

- Suitable for Joint width 50—300mm
- No visible aluminum or hardware
- Engineered for multi-directional seismic movement
- The face of the seal resists sagging and remains flat
- Visual seals are available in standard and custom colors
- Resistant to UV, ozone, acid rain, most chemicals and extreme temperatures.
- Splices can be heat welded or bonded with specialty adhesive
- Continuous lengths in most applications.

BASIC USES:

Application: Wall to Wall Corner

Joint Width(W)	25	50	100
Exposed surface(ES)	25	50	100
Movement Capacity	5	50	100

TECHNICAL DATA:

MATERIALS:

Aluminum Base: ASTM 6063T5 Mill finish, anodisation

WARRANTY:

Meishuo warrants that its products are manufactured free of defects and conform to the technical data listed. Under this warranty, we will replace any material proven defective when applied in accordance with our written instructions for applications recommended by us as suitable for subject products. Meishuo shall not be liable for any injury, loss or damage, direct or consequential, arising out of the use of the product.