



for

LED

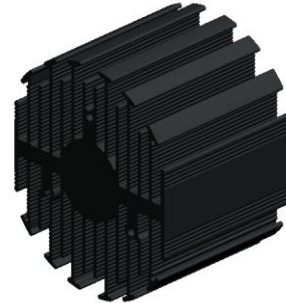


eLED

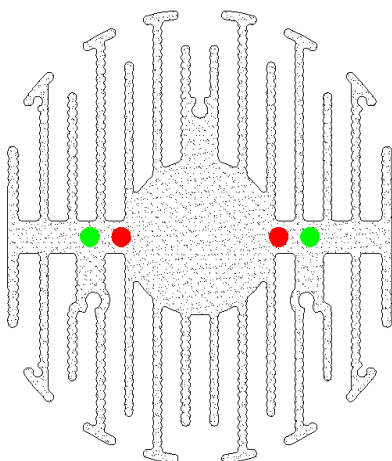
eLED-CRE-7050 Cree Modular Passive Star LED Heat Sink  $\Phi$ 70mm

### Features VS Benefits

- \* The eLED-CRE-7050 Cree Modular Passive LED Coolers are specifically designed for luminaires using the Cree LED engines.
- \* Mechanical compatibility with direct mounting of the LED engines to the LED cooler and thermal performance matching the lumen packages.
- \* For spotlight and downlight designs from 1000 to 2600.umen.
- \* Thermal resistance range Rth 2.18°C/W.
- \* Modular design with mounting holes foreseen for direct mounting of Cree LxampCXA1304 ,1310, CXA1507,1512,1520, CXA1816 1820 LED Array COB engines.
- \* Diameter 70mm - standard height 50mm Other heights on request.
- \* Extruded from highly conductive aluminum.



- \* Below you find an overview of Cree LED modular which standard fit on the eLED coolers.
- \* In this way mechanical after work and related costs can be avoided, and lighting designers can standardize their designs on a limited number of LED coolers.



Zhaga Book3 Spot Light LED engines  
LED COB's for which Zhaga book3 LED Modules holders are available

Cree LED Modules and Ideal holders:

**Cree Lxamp CXA1507 LED Modules: (Ideal Holder:50-2001CR)**

Maximum drive current optional:

750mA (18V);

375mA (37V);

Please refer to the [www.cree.com](http://www.cree.com) data provided on the manual.

**Cree Lxamp CXA1512 LED Modules: (Ideal Holder:50-2001CR)**

Maximum drive current optional:

1200mA (18V);

600mA (37V);

Please refer to the [www.cree.com](http://www.cree.com) data provided on the manual.

**Cree Lxamp CXA1520 LED Modules: (Ideal Holder:50-2001CR)**

Maximum drive current optional:

750mA ;

Please refer to the [www.cree.com](http://www.cree.com) data provided on the manual.

**Cree Lxamp CXA1816 LED Modules: (Ideal Holder:50-2101CR), (BJB Holder:47.319.2131.50)**

Maximum drive current optional:

680mA;

Please refer to the [www.cree.com](http://www.cree.com) data provided on the manual.

**Cree Lxamp CXA1820 LED Modules: (Ideal Holder:50-2101CR), (BJB Holder:47.319.2131.50)**

Maximum drive current optional:

700mA;

Please refer to the [www.cree.com](http://www.cree.com) data provided on the manual.

Please refer to the data files on [www.idealindustries.com](http://www.idealindustries.com), which is the detail of Ideal holders application guide

Zhaga Book3 Green indicator marks:  
Mounting with 2 machine screws M3 x 8mm;  
Green indicator marks.

Tel: +86-769-33252828 +86-769-33251919

E-fax: +86-(020)28819702 ext:22122

Email:sales@mingfatech.com

Http://www.heatsinkled.com

Http://www.mingfatech.com





eLED

eLED-CRE-7050 Cree Modular Passive Star LED Heat Sink  $\Phi 70\text{mm}$

**Mounting Options and Drawings & Dimensions**

Example:eLED-CRE-7050-B-1

Example:eLED-CRE-70 **1** - **2** - **3**

**1** Height (mm)

**2** Anodising Color

B-Black

C-Clear

Z-Custom

**3** Mounting options;

On request;

Mounting holes, cable holes;

Screw thread, thermal interface pad.

Notes:

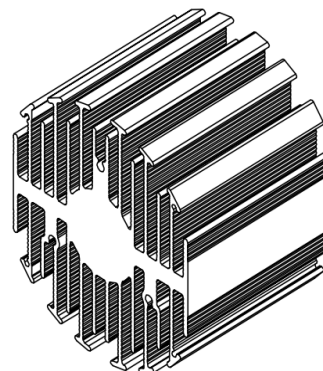
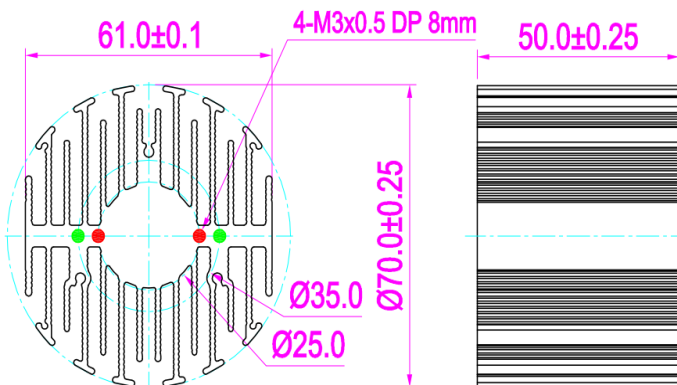
- Mentioned models are an extraction of full product range.

- For specific mechanical adaptations please contact MingfaTech.

- MingfaTech reserves the right to change products or specifications without prior notice.



MOUNTING OPTION	Module type	Holder NO.	THREAD	THREAD DEPTH	THREAD HOLE DISTANCE
1	CXA-13xx	BJB: 47.319.6120.50 IDEAL:50-2000CR	M3	6.5mm	25mm/ 2-@180° Zhaga Book11
2	CXA-15xx ;	BJB: 47.319.6101.50 IDEAL:50-2001CR	M3	6.5mm	35mm/ 2-@180° Zhaga Book3
	CXA18XX ;	BJB:47.319.2130.50 IDEAL:50-2101CR			
	CXA1830 ;	BJB:50-2001CR			
	CXA25xx ;	BJB:47.319.2140.50 IDEAL:50-2102CR			
	CXA30xx ;	BJB:47.319.2150.50 IDEAL:50-2234C			
	CXA35xx ;	IDEAL:50-2303CR			



Tel: +86-769-33252828 +86-769-33251919

E-fax: +86-(020)28819702 ext:22122

Email:sales@mingfatech.com

Http://www.heatsinkled.com

Http://www.mingfatech.com



eLED

eLED-CRE-7050 Cree Modular Passive Star LED Heat Sink  $\Phi$ 70mm

The thermal data table

	 <i>eLED-7050</i>
<b>Model No.</b>	<b>eLED-CRE-7050</b>
<b>Size</b>	<b><math>\Phi</math>70xH50mm</b>
<b>Material</b>	<b>AL6063-T5</b>
<b>Finish</b>	<b>Black Anodized</b>
<b>Weight(gr)</b>	<b>206</b>
<b>Thermal Wattage</b>	<b>22.9W</b>
<b>HeatsinkOs-a<sup>2</sup></b>	<b>73369</b>
<b>Heat Sink T Rise Above Ambient</b>	<b>2.18</b>

Dissipated Power Pd(W)	Heat sink to ambient thermal resistance Rhs-amb (°C/W)	
	eLED-CRE-7050	
5	3.40	17
10	2.80	28
15	2.70	37
20	2.25	45
25	2.16	54

