



# LED

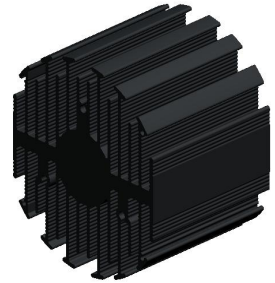


eLED

## eLED-ADU-7050 Adura Modular Passive Star LED Heat Sink $\Phi$ 70mm

### Features VS Benefits

- \* The eLED-ADU-7050 Adura Modular Passive Star LED Heat Sinks are specifically designed for luminaires using the Adura LED engines.
- \* Mechanical compatibility with direct mounting of the LED engines to the LED cooler and thermal performance matching the lumen packages.
- \* For spotlight and downlight designs from 800 to 2600 lumen.
- \* Thermal resistance range  $R_{th}$  2.18°C/W.
- \* Modular design with mounting holes foreseen for direct mounting of Adura LOB series engines.
- \* Diameter 70mm - standard height 50mm Other heights on request.
- \* Extruded from highly conductive aluminum.

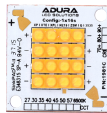


### Zhaga LED engine and radiator assembly is a unified future international standardization

- \* Below you find an overview of Adura LED modules which standard fit on the Star LED Heat Sinks.
- \* In this way mechanical after work and related costs can be avoided, and lighting designers can standardize their designs on a limited number of Star LED Heat Sinks.



**ADURA**  
LED SOLUTIONS



### Adura LED Modules directly Mounting Options

#### LOB 1979C-A/1980C LED engines.

LOB-150026D-0093535-xxx-1x9C;  
LOB-45009D-0093535-xxx-3x3C;

With Zhaga Book 3 LED holder

BJB holder: 47.313.2131.50;

Ideal Holde: 50-2103CT

Green indicator marks.

Mounting with machine screws M3x6.5mm;

#### LOB 1981C-A/1982C LED engines.

LOB-150046D-0163535-xxx-1x16;  
LOB-300024D-0163535-xxx-2x8C;

With Zhaga Book 3 LED holder

BJB holder: 47.313.2030.50;

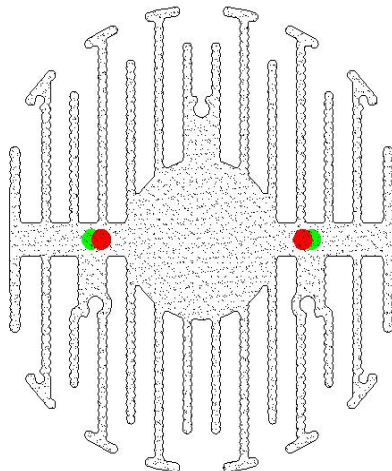
Ideal Holde: 50 - 2204 CT

Green indicator marks.

Mounting with machine screws M3x6.5mm;

Without LED holders for red indicator marks.

Direct mounting with machine screws M3x6.5mm;



Tel:+86-769-39023131

E-fax:+86-(020)28819702 ext:22122

Email:sales@mingfatech.com

Http://www.heatsinkled.com

Http://www.mingfatech.com



eLED

eLED-ADU-7050 Adura Modular Passive Star LED Heat Sink  $\Phi$ 70mm

Mounting Options and Drawings & Dimensions

Example:eLED-ADU-7050-B-1,2

Example:eLED-ADU-7050-1-2-3

1 Height (mm)

2 Anodising Color

B-Black

C-Clear

Z-Custom

3 Mounting Options - see graphics for details Combinations available

Ex.order code - 12

means option 1 and 2 combined

Notes:

- Mentioned models are an extraction of full product range.

- For specific mechanical adaptations please contact MingfaTech.

MingfaTech reserves the right to change products or specifications without prior notice.

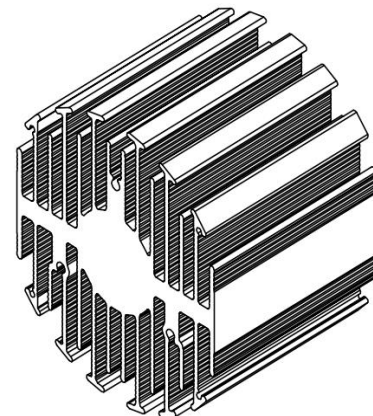
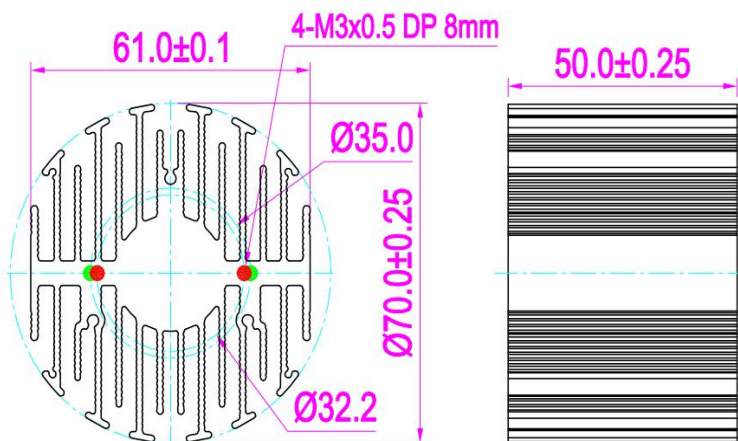
Note : option 1 and option 2 can not be combined



ADURA  
LED SOLUTIONS



MOUNTING OPTION	Module type	Holder NO.	THREAD	THREAD DEPTH	THREAD HOLE DISTANCE
1	1981C-A; 1982C-A;	/	M3	6.5mm	32.2mm/ 2-@180°
2	1979C-A; 1980C-A;	Ideal Holde 50-2103CT	M3	6.5mm	35.0mm/ 2-@180°
		BJB 47.313.2131.50			
	1981C-A; 1982C-A;	Ideal Holde 50-2030CT			
		BJB 47.313.2030.50			



eLED

eLED-ADU-7050 Adura Modular Passive Star LED Heat Sink  $\Phi$ 70mm

The thermal data table

	 <i>eLED-7050</i>
<b>Model No.</b>	<b>eLED-ADU-7050</b>
<b>Size</b>	<b><math>\Phi</math>70xH50mm</b>
<b>Material</b>	<b>AL6063-T5</b>
<b>Finish</b>	<b>Black Anodized</b>
<b>Weight(gr)</b>	<b>206</b>
<b>Thermal Wattage</b>	<b>22.9W</b>
<b>HeatsinkOs-a<sup>2</sup></b>	<b>73369</b>
<b>Heat Sink T Rise Above Ambient</b>	<b>2.18</b>

Dissipated Power Pd(W)	Pd = Pe x (1-ηL)	Heat sink to ambient thermal resistance Rhs-amb (°C/W)	Heat sink to ambient temperature rise Ths-amb (°C)
		eLED-ADU-7050	
5		3.40	17
10		2.80	28
15		2.70	37
20		2.25	45
25		2.16	54

