



for

LED

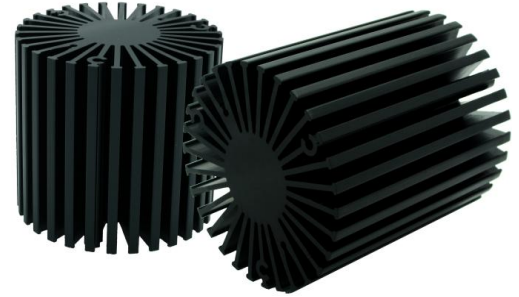


*SimpoleD*

**SimpoleD-LG-5870 for LG Innotek Modular Passive LED Cooler  $\Phi$ 58mm**

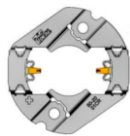
**Features VS Benefits**

- \* The SimpoleD-LG-5870 LG Innotek Modular Passive LED Coolers are specifically designed for luminaires using the LG Innotek LED engines.
- \* Mechanical compatibility with direct mounting of the LED engines to the LED cooler and thermal performance matching the lumen packages.
- \* For spotlight and downlight designs from 600 to 2000 lumen.
- \* Thermal resistance range Rth 2.9°C/W.
- \* Modular design with mounting holes foreseen for direct mounting of LG Innotek LEMWM COB 10W/13W LED engines.
- \* Diameter 58mm - standard height 70mm Other heights on request.
- \* Extruded from highly conductive aluminum.



**Zhaga LED engine and radiator assembly is a unified future international standardization**

- \* Below you find an overview of LG Innotek engines COB's and LED modules which standard fit on the SimpoleD coolers.
- \* In this way mechanical after work and related costs can be avoided, and lighting designers can standardize their designs on a limited number of LED coolers.



**LG Innotek LED Spotlight engines directly Mounting Options**

**LEMWM 10W COB Modules:**

- LEMWM18580Gxxxx;
- LEMWM18580HGxxxx;
- LEMWM18580JGxxxx;
- LEMWM18580LGxxxx;
- LEMWM18580MGxxxx;

**Zhaga Book3 Green indicator marks:**

- AAG.STUCCHI holder:8600 ;
- BJB holder:47.319.2080.50 ;
- IDEAL holder:50-2100LG ;
- Direct mounting with machine screws M3x6mm;

- Directly Mounting with machine screws M2.5x8mm;
- Red indicator marks.

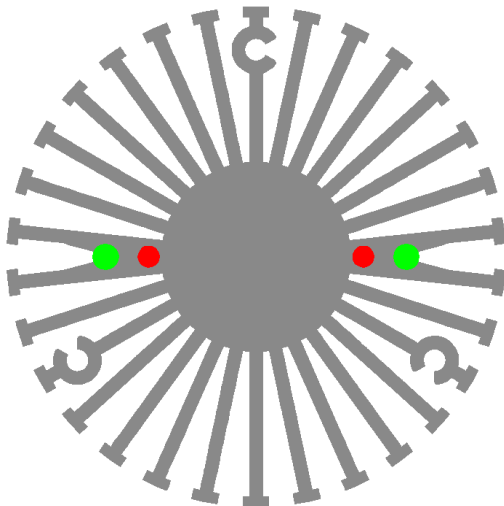
**LEMWM 13W COB Modules:**

- LEMWM18680Gxxxx;
- LEMWM18680JGxxxx;
- LEMWM18680LGxxxx;
- LEMWM18680MGxxxx;

**Zhaga Book3 Green indicator marks:**

- AAG.STUCCHI holder:8600 ;
- BJB holder:47.319.2080.50 ;
- IDEAL holder:50-2100LG ;
- Direct mounting with machine screws M3x6mm;

- Directly Mounting with machine screws M2.5x8mm;
- Red indicator marks.



*SimpoleD*

SimpoleD-LG-5870 for LG Innotek Modular Passive LED Cooler  $\Phi$ 58mm

**Mounting Options and Drawings & Dimensions**

Example: SimpoleD-LG-5870-B-3

Example: SimpoleD-LG-58 **1** - **2** - **3**

**1** Height (mm)

**2** Anodising Color

B-Black

C-Clear

Z-Custom

**3** Mounting Options - see graphics for details Combinations available

Ex.order code - 12

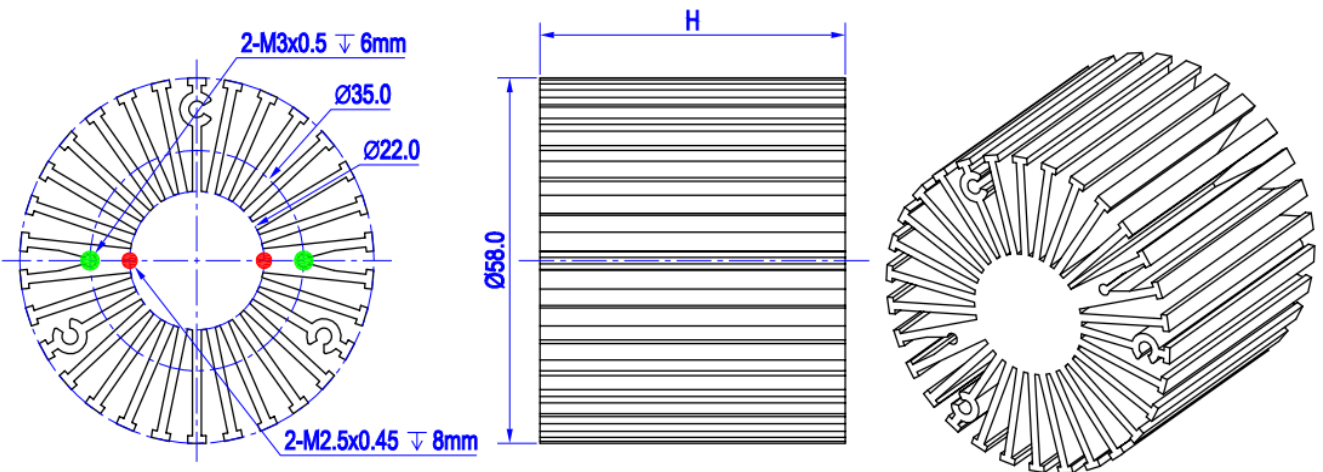
means option 1 and 2 combined

Notes:

- Mentioned models are an extraction of full product range.
- For specific mechanical adaptations please contact MingfaTech.
- MingfaTech reserves the right to change products or specifications without prior notice.



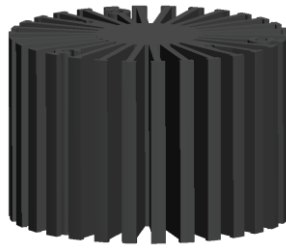
MOUNTING OPTION	Module type	Holder NO.	THREAD	THREAD DEPTH	THREAD HOLE DISTANCE
1	LEMWM COB 10W/13W	/	M2.5	8mm	22.0mm/ 2-@180°
2	LEMWM COB 10W/13W	BJB: 47.319.2028.50	M3	6mm	35.0mm/ 2-@180°
		AAG.STUCCHI: 8600			
		IDEAL: 50-2100LG			



*SimpoleD*

SimpoleD-LG-5870 for LG Innotek Modular Passive LED Cooler  $\Phi$ 58mm

The thermal data table

	 <i>SimpoleD-5870</i>
<b>Model No.</b>	<b>SimpoleD-LG-5870</b>
<b>Size</b>	<b><math>\Phi</math>58xH70mm</b>
<b>Material</b>	<b>AL6063-T5</b>
<b>Finish</b>	<b>Black Anodized</b>
<b>Weight(g)</b>	<b>244.0</b>
<b>Thermal Wattage</b>	<b>15.5W</b>
<b>Heatsink<math>\Theta</math>s-a<sup>2</sup></b>	<b>90020</b>
<b>Heat Sink T<sub>Rise Above Ambient</sub></b>	<b>2.9</b>

Dissipated Power Pd(W)	Pd = Pe x (1- $\eta$ L)	Heat sink to ambient thermal resistance Rhs-amb ( $^{\circ}$ C/W)	Heat sink to ambient temperature rise Ths-amb ( $^{\circ}$ C)
		SimpoleD-LG-5870	SimpoleD-LG-5870
4.0		4.00	16.0
8.0		3.50	28.0
12.0		3.12	37.5
16.0		2.90	46.5
20.0		2.76	55.3

