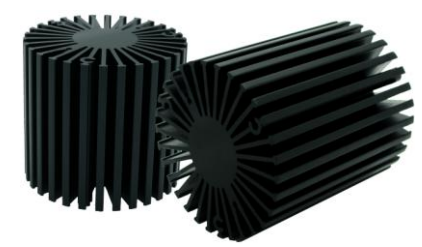


SimpoLED

SimpoLED-VOS-5870 Vossloh-Schwabe Modular Passive LED Cooler Φ

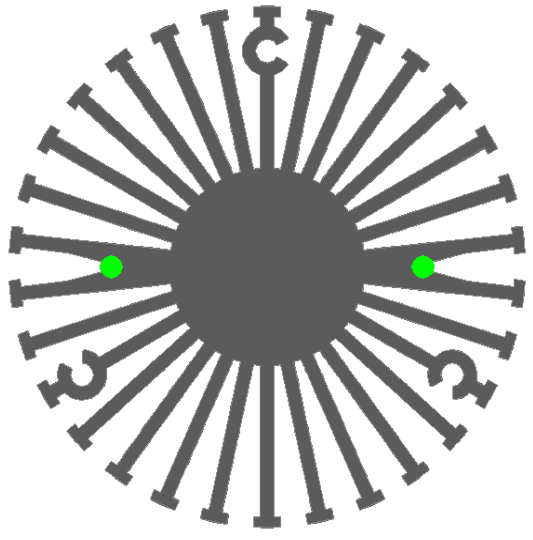
Features VS Benefits

- * The SimpoLED-VOS-5870 Vossloh-Schwabe Modular Passive LED Coolers are specifically designed for luminaires using the Vossloh-Schwabe LED engines.
- * Mechanical compatibility with direct mounting of the LED engines to the LED cooler and thermal performance matching the lumen packages.
- * For spotlight and downlight designs from 400 to 1900 lumen.
- * Thermal resistance range Rth 2.9°C/W.
- * Modular design with mounting holes foreseen for direct mounting of Vossloh-Schwabe LUGA Shop LED engines.
- * Diameter 58mm - standard height 70mm Other heights on request.
- * Extruded from highly conductive aluminum.



Zhaga LED engine and radiator assembly is a unified future international standardization

- * Below you find an overview of Vossloh-Schwabe engines COB's and LED modules which standard fit on the SimpoLED coolers.
- * In this way mechanical after work and related costs can be avoided, and lighting designers can standardize their designs on a limited number of LED coolers.



| | | | |
|---|------------------|------------------|---------------|
| Vossloh-Schwabe LED engines Mounting Options | | | |
| For the LUGA Shop 2014 Module. | | | |
| WU-M-484-827; | WU-M-484-840; | WU-M-485-835; | WU-M-486-830; |
| WU-M-484-830; | WU-M-485-827; | WU-M-485-840; | WU-M-486-835; |
| WU-M-484-835; | WU-M-485-830; | WU-M-486-827; | WU-M-486-840; |
| For the LUGA Shop 2014 PW Module. | | | |
| WU-M-484-831-PW; | WU-M-485-831-PW; | WU-M-486-831-PW; | |
| For the LUGA Shop 2014 HiCRI LED Module. | | | |
| WU-M-484-927; | WU-M-484-940; | WU-M-485-935; | WU-M-486-930; |
| WU-M-484-930; | WU-M-485-927; | WU-M-485-940; | WU-M-486-935; |
| WU-M-484-935; | WU-M-485-930; | WU-M-486-927; | WU-M-486-940; |
| For the LUGA Shop 2014 PW Module. | | | |
| WU-M-484-931-PW; | WU-M-485-931-PW; | WU-M-486-931-PW; | |
| For the LUGA Shop 2014 PCB LED engines which holder. | | | |
| DMS088C27E1; | DMS088C40E1; | DMS158C35E1; | DMS128C30E1; |
| DMS088C30E1; | DMS158C27E1; | DMS158C40E1; | DMS128C35E1; |
| DMS088C35E1; | DMS158C30E1; | DMS128C27E1; | DMS128C40E1; |
| For the LUGA Shop 2014 PCB PW LED engines which holder. | | | |
| DMS088C31EP1; | DMS128C31EP1; | DMS158C31EP1; | |
| For the LUGA Shop 2014 PCB HiCRI LED engines which holder. | | | |
| DMS088D27E1; | DMS158D35E1; | DMS128D30E1; | |
| DMS088D30E1; | DMS158D40E1; | DMS128D35E1; | |
| DMS088D35E1; | DMS128D27E1; | DMS128D40E1; | |
| For the LUGA Shop 2014 PCB PW LED engines which holder. | | | |
| DMS088D31EP1; | DMS128D31EP1; | DMS158D31EP1; | |
| For the LUGA C 2015 LED engines. (AAG.STUCCHI holder:8101-G2); (BJB holder:47.319.2021.50); | | | |
| DMC104Cxxx; | DMC115Cxxx; | DMC118Cxxx; | |
| Zhaga Book3 Green indicator marks: Direct mounting with machine screws M3x6mm. | | | |
| Please refer to the "www.vossloh-schwabe.com" data provided on the manual. | | | |



SimploLED

SimploLED-VOS-5870 Vossloh-Schwabe Modular Passive LED Cooler Φ

Mounting Options and Drawings & Dimensions

Example: SimploLED-VOS-5870-B-3

Example: SimploLED-VOS-58 **1** - **2** - **3**

1 Height (mm)

2 Anodising Color

B-Black

C-Clear

Z-Custom

3 Mounting Options - see graphics for details Combinations available

Ex.order code - 12

means option 1 and 2 combined

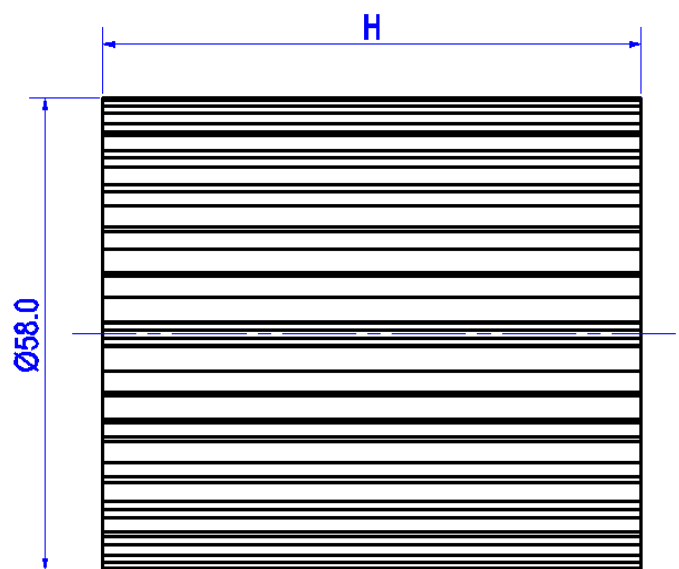
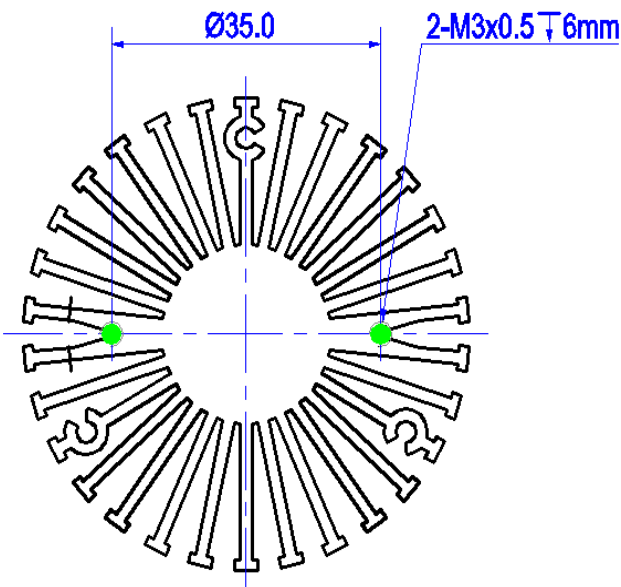
Notes:

- Mentioned models are an extraction of full product range.
- For specific mechanical adaptations please contact MingfaTech.
- MingfaTech reserves the right to change products or specifications without prior notice.



STUCCHI
ideas are made of light

| MOUNTING OPTION | Module type | Holder NO. | THREAD | THREAD DEPTH | THREAD HOLE DISTANCE |
|-----------------|-----------------------|--------------------------|--------|--------------|----------------------|
| 1 | LUGA C | BJB (47.319.2021.50) | M3 | 6mm | 35.0mm/ 2-@180° |
| | | AAG.STUCCHI (8101-G2) | | | |
| | LUGA Shop 2014 PCB | Vossloh-Schwabe | | | |
| | LUGA Shop 2014 | / | | | |



Tel:+86-769-39023131
E-fax:+86-(020)28819702 ext:22122
Email:sales@mingfatech.com
Http://www.heatsinkled.com
Http://www.mingfatech.com





for

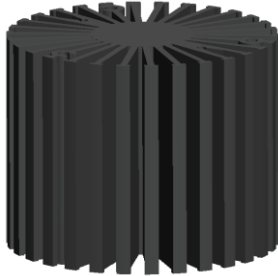
LED



SimpoleD

SimpoleD-VOS-5870 Vossloh-Schwabe Modular Passive LED Cooler Φ

The thermal data table

| | |
|---|--|
| |  <i>SimpoleD-5870</i> |
| Model No. | SimpoleD-VOS-5870 |
| Size | Φ58xH70mm |
| Material | AL6063-T5 |
| Finish | Black Anodized |
| Weight(gr) | 244.0 |
| Thermal Wattage | 15.5W |
| HeatsinkOs-a² | 90020 |
| Heat Sink T_{Rise Above Ambient} | 2.9 |

| Dissipated Power Pd(W) | Pd = Pe x (1- η L) | Heat sink to ambient thermal resistance Rhs-amb (°C/W) | Heat sink to ambient temperature rise Ths-amb (°C) |
|------------------------|----------------------------|---|---|
| | | SimpoleD-VOS-5870 | SimpoleD-VOS-5870 |
| 4.0 | | 4.00 | 16.0 |
| 8.0 | | 3.50 | 28.0 |
| 12.0 | | 3.12 | 37.5 |
| 16.0 | | 2.90 | 46.5 |
| 20.0 | | 2.76 | 55.3 |
| | | | |

