



for

LED

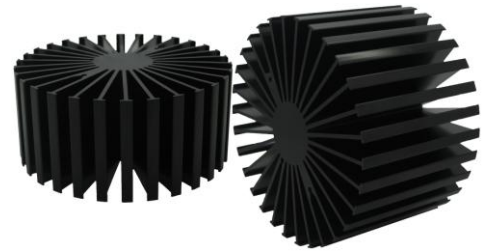


*SimpoleD*

**SimpoleD-BRI-11780 for Bridgelux Modular Passive LED Cooler  $\Phi$ 117mm**

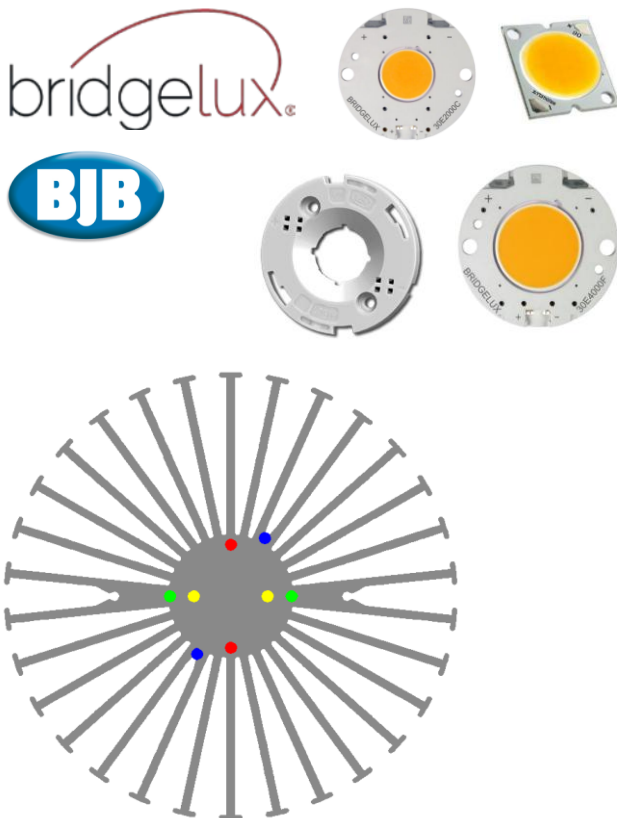
**Features VS Benefits**

- \* The SimpoleD-11780 Bridgelux Modular Passive LED Coolers are specifically designed for luminaires using the Bridgelux LED engines.
- \* Mechanical compatibility with direct mounting of the LED engines to the LED cooler and thermal performance matching the lumen packages.
- \* For spotlight and downlight designs from 2000 to 7000 lumen.
- \* Thermal resistance range Rth 0.8 °C/W.
- \* Modular design with mounting holes foreseen for direct mounting of Bridgelux ES Rectangle, Vero 13 Array Series and Vero 18 Array Series COB engines.
- \* Diameter 117mm - standard height 80mm Other heights on request.
- \* Extruded from highly conductive aluminum.



**Bridgelux LED engine and radiator assembly directly Mounting Options**

- \* Below you find an overview of Bridgelux COB's and LED modules which standard fit on the SimpoleD coolers.
- \* In this way mechanical after work and related costs can be avoided, and lighting designers can standardize their designs on a limited number of LED coolers.



**Bridgelux LED Modules directly Mounting Options**

**ES Rectangle Array Series LED engines:**

- BXRA-27Exxxx-B-03;
- BXRA-27Gxxxx-B-03;
- BXRA-30Exxxx-B-03;
- BXRA-30Gxxxx-B-03;
- BXRA-35Exxxx-B-03;
- BXRA-40Exxxx-B-03;

With the Zhaga book 3 holders, Blue indicator marks.  
(BJB Holder: 47.319.2040.50)  
Direct mounting with Self tapping screw M3x8mm;  
Red indicator marks.

**Vero 13 Array Series LED engines:**

- Vero 13 BXRC-27x2000
- Vero 13 BXRC-30x2000
- Vero 13 BXRC-35E2000
- Vero 13 BXRC-40x2000
- Vero 13 BXRC-50x2000

Direct mounting with machine screws M3 x 8mm  
Green indicator marks

**Vero 18 Array Series LED engines:**

- Vero 18 BXRC-27x4000
- Vero 18 BXRC-30x4000
- Vero 18 BXRC-35E4000
- Vero 18 BXRC-40E4000
- Vero 18 BXRC-50C4000

Direct mounting with machine screws M3 x 8mm  
Green indicator marks



**Mounting Options and Drawings & Dimensions**

Example: SimpLED-BRI-11780-B-3

Example: SimpLED-BRI-117 **1** - **2** - **3**

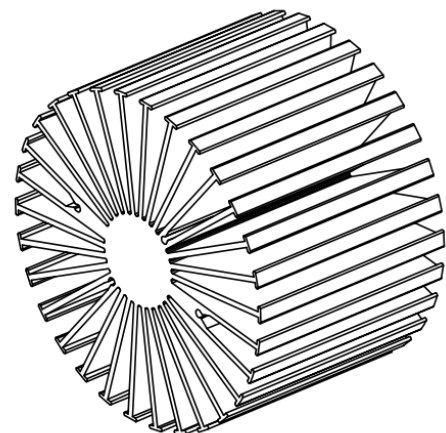
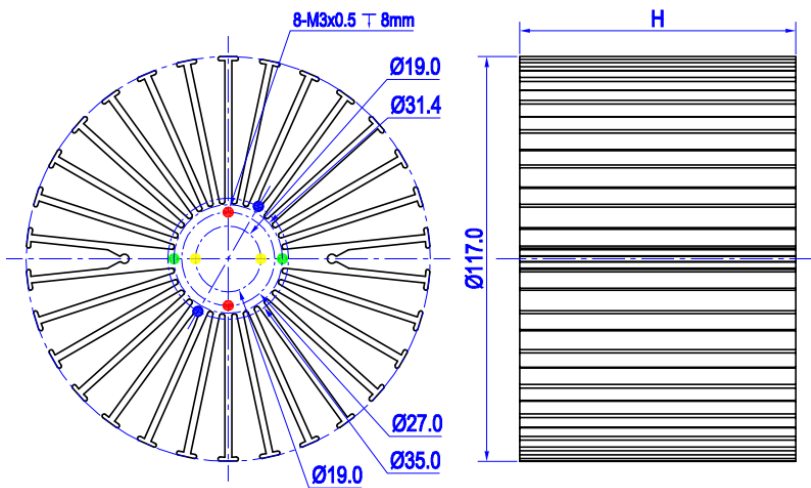
- 1** Height (mm)
- 2** Anodising Color
  - B-Black
  - C-Clear
  - Z-Custom
- 3** Mounting Options - see graphics for details Combinations available
  - Ex.order code - 12
  - means option 1 and 2 combined



**Notes:**

- Mentioned models are an extraction of full product range.
- For specific mechanical adaptations please contact MingfaTech.
- MingfaTech reserves the right to change products or specifications without prior notice.

MOUNTING OPTION	Module type	Holder NO.	THREAD	THREAD DEPTH	THREAD HOLE DISTANCE
1	ES-Star Array Vero-10	/	M3	8mm	19.0mm/ 2-@180°
	ES-Star Array	BJB 47.313.1001.80			
2	ES-Rectangle	/	M3	8mm	27.0mm/ 2-@180°
3	Vero-10 Vero-18	/	M3	8mm	31.4mm/ 2-@180°
4	ES-Rectangle	BJB 47.313.2040.50	M3	8mm	35.0mm/ 2-@180°





for

LED



*SimpLED*

**SimpLED-BRI-11780 for Bridgelux Modular Passive LED Cooler  $\Phi$ 117mm**

**The thermal data table**

	 <i>SimpLED-11780</i>
<b>Model No.</b>	<b>SimpLED-BRI-11780</b>
<b>Size</b>	<b><math>\Phi</math>117xH80mm</b>
<b>Material</b>	<b>AL 6063-T5</b>
<b>Finish</b>	<b>Black Anodized</b>
<b>Weight(g)</b>	<b>774.0</b>
<b>Thermal Wattage</b>	<b>60.7W</b>
<b>Heatsink <math>\Theta_{s-a^2}</math></b>	<b>231490</b>
<b>Heat Sink T Rise Above Ambient</b>	<b>0.8</b>

	Pd = Pe x (1- $\eta$ L)	Heat sink to ambient thermal resistance Rhs-amb ( $^{\circ}$ C/W)	Heat sink to ambient temperature rise Ths-amb ( $^{\circ}$ C)
		SimpLED-BRI-11780	SimpLED-BRI-11780
Dissipated Power Pd(W)	15	1.01	15.2
	30	0.88	26.4
	45	0.80	36.1
	60	0.75	45.2
	75	0.71	53.8
	90	0.68	62.0

Heat sink to ambient temperature rise Ths-amb( $^{\circ}$ C)  $t_a=25^{\circ}$ C

