



for

LED

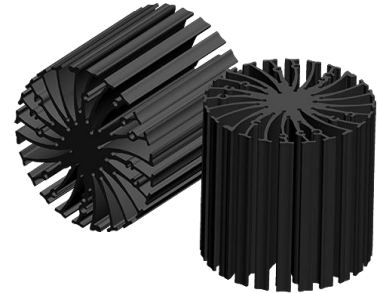


EtraLED

EtraLED-PHI-8550 for Philips Modular Passive Star LED Heat Sink Φ 85mm

Features VS Benefits

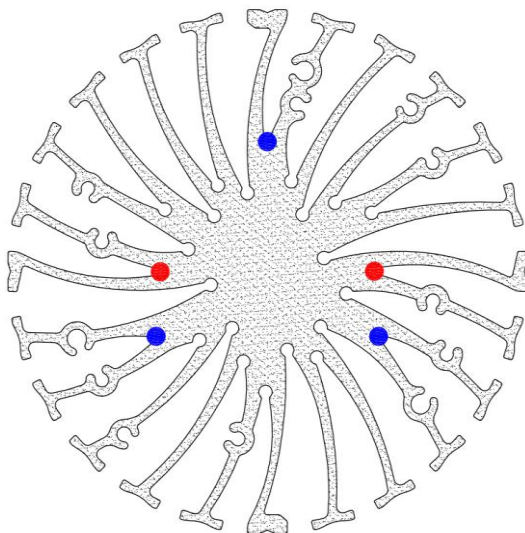
- * The EtraLED-PHI-8550 Philips Modular Passive LED Coolers are specifically designed for luminaires using the Philips LED engines.
- * Mechanical compatibility with direct mounting of the LED engines to the LED cooler and thermal performance matching the lumen packages.
- * For spotlight and downlight designs from 1400 to 4000 lumen.
- * Thermal resistance range Rth 1.5°C/W.
- * Modular design with mounting holes foreseen for direct mounting of Philips SLM engines.
- * Diameter 85mm - standard height 50mm Other heights on request.
- * Extruded from highly conductive aluminum.



Zhaga LED engine and radiator assembly is a unified future international standardization

- * Below you find an overview of philips engines COB's and LED modules which standard fit on the EtraLED coolers.
- * In this way mechanical after work and related costs can be avoided, and lighting designers can standardize their designs on a limited number of LED coolers.

PHILIPS



Zhaga Book3 Spot Light LED engines
Philips LED engines for which Zhaga book3 LED Modules holders are available.

Philips Fortimo SLM LED modular Gen4:
 Fortimo LED SLM 2000LM 927 L13 G4;
 Fortimo LED SLM 2000LM 930 L13 G4;
 Fortimo LED SLM 3000LM 830 L15 G4;
 Fortimo LED SLM 3000LM 840 L15 G4;
 Fortimo LED SLM 3000LM 927 L15 G4;
 Fortimo LED SLM 3000LM 930 L15 G4;

Philips Fortimo SLM LED modular Gen3:
 Fortimo LED SLM 2000LM 930 L19 G3;
 Fortimo LED SLM 3000LM 830 L19 G3;
 Fortimo LED SLM 3000LM 840 L19 G3;

Philips Fortimo SLM LED modular Gen2:
 Fortimo LED SLM 2000LM 827 L19 G2;
 Fortimo LED SLM 2000LM 835 L19 G2;

NO`1: Blue indicator marks:
 Direct mounting with machine screws M3x8mm;
NO`2: With Zhaga Book 3 LED holder for red indicator marks.
 Direct mounting with machine screws M3x8mm;



for

LED



EtraLED

EtraLED-PHI-8550 for Philips Modular Passive Star LED Heat Sink Φ 85mm

Mounting Options and Drawings & Dimensions

Example: EtraLED-PHI-8550-B-3

Example: EtraLED-PHI-85 **1** - **2** - **3**

1 Height (mm)

2 Anodising Color

B-Black

C-Clear

Z-Custom

3 Mounting Options - see graphics for details Combinations available

Ex.order code - 12

means option 1 and 2 combined

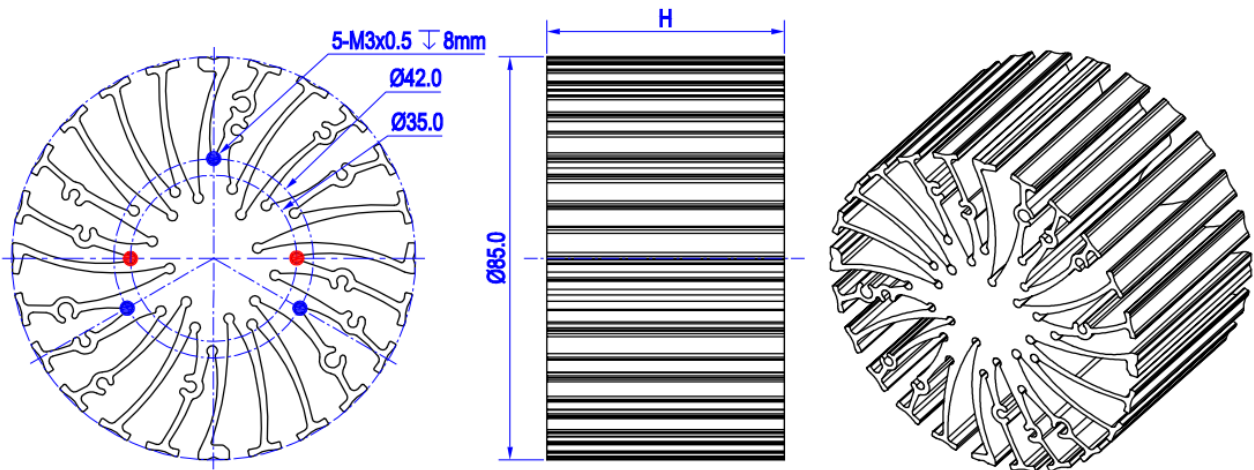
Notes:

- Mentioned models are an extraction of full product range.
- For specific mechanical adaptations please contact MingfaTech.
- MingfaTech reserves the right to change products or specifications without prior notice.

PHILIPS



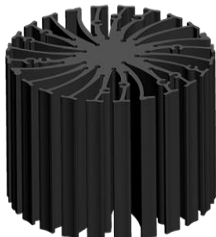
MOUNTING OPTION	Module type	Holder NO.	THREAD	THREAD DEPTH	THREAD HOLE DISTANCE
1	Fortimo SLM	/	M3	8mm	35.0mm/ 2-@180°
2		/	M3	8mm	42.0mm/ 3-@120°



EtraLED

EtraLED-PHI-8550 for Philips Modular Passive Star LED Heat Sink $\Phi 85\text{mm}$

The thermal data table

	 <i>EtraLED-8550</i>
Model No.	EtraLED-PHI-8550
Size	$\Phi 85 \times H 50\text{mm}$
Material	AL6063-T5
Finish	Black Anodized
Weight(gr)	286.0
Thermal Wattage	34.0W
Heatsink Θ_{s-a^2}	94366
Heat Sink T Rise Above Ambient	1.5

Dissipated Power Pd(W)	Pd = Pe x (1- η L)	Heat sink to ambient thermal resistance Rhs-amb ($^{\circ}\text{C}/\text{W}$)	Heat sink to ambient temperature rise Ths-amb ($^{\circ}\text{C}$)
		EtraLED-PHI-8550	EtraLED-PHI-8550
10		1.9	19
15		1.7	26
20		1.6	32
25		1.6	40
30		1.5	45
35		1.5	51

