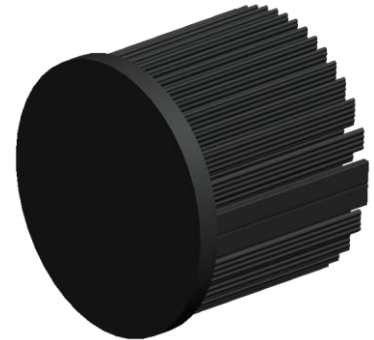


xLED

xLED-ADU-6050 Pin Fin LED Heat Sink Φ 60mm for Adura

Features VS Benefits

- * The xLED-ADU-6050 Adura Pin Fin LED Heat Sinks are specifically designed for luminaires using the Adura LED engines.
- * Mechanical compatibility with direct mounting of the LED engines to the LED cooler and thermal performance matching the lumen packages.
- * For spotlight and downlight designs from 700 to 1800 lumen.
- * Thermal resistance range Rth 3.3°C/W.
- * Modular design with mounting holes foreseen for direct mounting of Adura LOB series LED engines.
- * Diameter 60mm - standard height 50mm Other heights on request.
- * Forged from highly conductive aluminum.

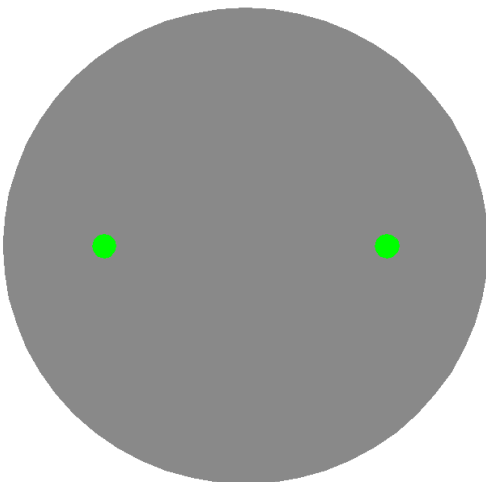


Zhaga LED engine and radiator assembly is a unified future international standardization

- * Below you find an overview of Adura COB's and LED modules which standard fit on the Pin Fin LED Heat Sinks.
- * In this way mechanical after work and related costs can be avoided, and lighting designers can standardize their designs on a limited number of LED Pin Fin LED Heat Sink.



ADURA
LED SOLUTIONS



Adura LED Modules directly Mounting Options

LOB 1979C-A LED engines.

- LOB-150026D-0093535-277-1x9C;
- LOB-150026D-0093535-307-1x9C;
- LOB-150026D-0093535-357-1x9C;
- LOB-150026D-0093535-407-1x9C;
- LOB-150026D-0093535-457-1x9C;
- LOB-150026D-0093535-507-1x9C;
- LOB-150026D-0093535-577-1x9C;
- LOB-150026D-0093535-657-1x9C;
- LOB-150026D-0093535-278-1x9C;

- LOB-150026D-0093535-308-1x9C;
- LOB-150026D-0093535-358-1x9C;
- LOB-150026D-0093535-408-1x9C;
- LOB-150026D-0093535-458-1x9C;
- LOB-150026D-0093535-508-1x9C;
- LOB-150026D-0093535-279-1x9C;
- LOB-150026D-0093535-309-1x9C;
- LOB-150026D-0093535-359-1x9C;
- LOB-150026D-0093535-409-1x9C;

LOB 1980C-A LED engines.

- LOB-45009D-0093535-277-3x3C;
- LOB-45009D-0093535-307-3x3C;
- LOB-45009D-0093535-357-3x3C;
- LOB-45009D-0093535-407-3x3C;
- LOB-45009D-0093535-457-3x3C;
- LOB-45009D-0093535-507-3x3C;
- LOB-45009D-0093535-577-3x3C;
- LOB-45009D-0093535-657-3x3C;
- LOB-45009D-0093535-278-3x3C;

- LOB-45009D-0093535-308-3x3C;
- LOB-45009D-0093535-358-3x3C;
- LOB-45009D-0093535-408-3x3C;
- LOB-45009D-0093535-458-3x3C;
- LOB-45009D-0093535-508-3x3C;
- LOB-45009D-0093535-279-3x3C;
- LOB-45009D-0093535-309-3x3C;
- LOB-45009D-0093535-359-3x3C;
- LOB-45009D-0093535-409-3x3C;

With Zhaga Book 3 LED holder

- BJB holder: 47.313.2131.50;
- Ideal Holde: 50-2103CT
- Green indicator marks.
- Mounting with machine screws M3x6.5mm;

xLED

xLED-ADU-6050 Pin Fin LED Heat Sink Φ 60mm for Adura

Mounting Options and Drawings & Dimensions

Example: xLED-ADU-6050-B-1

Example: xLED-ADU-60 **1** - **2** - **3**

1 Height (mm)

2 Anodising Color

B-Black

C-Clear

Z-Custom

3 Mounting Options - see graphics for details Combinations available

Ex.order code - 12

means option 1 and 2 combined

Notes:

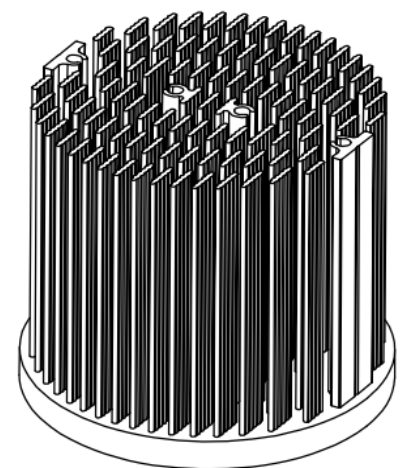
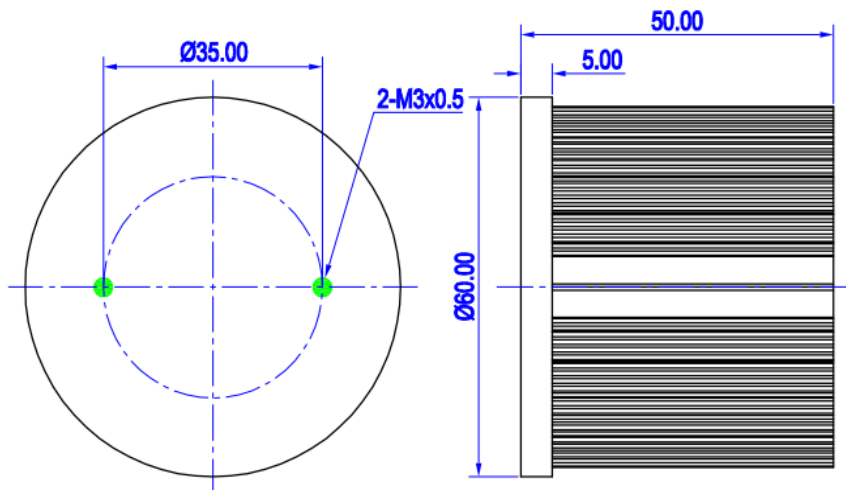
- Mentioned models are an extraction of full product range.
- For specific mechanical adaptations please contact MingfaTech.
- MingfaTech reserves the right to change products or specifications without prior notice.



ADURA
LED SOLUTIONS



MOUNTING OPTION	Module type	Holder NO.	THREAD	THREAD DEPTH	THREAD HOLE DISTANCE
1	1979C-A; 1980C-A;	Ideal Holde 50-2103CT	M3	6.5mm	35.0mm/ 2-@180°
		BJB 47.313.2131.50			



xLED

xLED-ADU-6050 Pin Fin LED Heat Sink Φ 60mm for Adura

The thermal data table

	 <i>xLED-6050</i>
Model No.	xLED-ADU-6050
Size	Φ60xH50mm
Material	AL1070
Finish	Black Anodized
Weight(g)	112.0
Thermal Wattage	15.5W
HeatsinkOs-a²	68473
Heat Sink Rise_T <small>Rise Above Ambient</small> ($^{\circ}$ C/W)	3.3

	Pd = Pe x (1-ηL)	Heat sink to ambient thermal resistance Rhs-amb ($^{\circ}$ C/W)	Heat sink to ambient temperature rise Ths-amb ($^{\circ}$ C)
		xLED-ADU-6050	
Dissipated Power Pd(W)	4.0	4.8	19.0
	8.0	3.9	31.0
	12.0	3.5	42.0
	16.0	3.2	51.0
	20.0	2.9	58.0

