

for

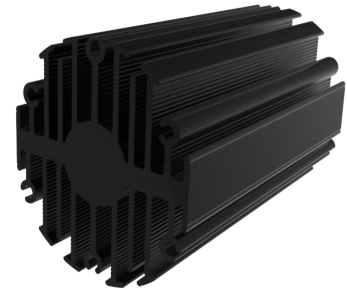
LED

eLED

eLED-XIT-4680 Xicato Modular Passive Star LED Heat Sink Φ 46mm

Features VS Benefits

- * The eLED-XIT-4680 Xicato Modular Passive Star LED Heat Sinks are specifically designed for luminaires using the Xicato LED engines.
- * Mechanical compatibility with direct mounting of the LED engines to the LED cooler and thermal performance matching the lumen packages.
- * For spotlight and downlight designs from 600 to 1600 lumen.
- * Thermal resistance range Rth 3.8°C/W.
- * Modular design with mounting holes foreseen for direct mounting of Xicato XSM, XIM and XTM Modules.
- * Diameter 46.5mm - standard height 80mm Other heights on request.
- * Extruded from highly conductive aluminum.



Zhaga LED engine and radiator assembly is a unified future international standardization

- * Below you find an overview of Xicato LED modules which standard fit on the Star LED Heat Sinks.
- * In this way mechanical after work and related costs can be avoided, and lighting designers can standardize their designs on a limited number of Star LED Heat Sinks.

XICATO



Xicato LED Modules directly Mounting Options

Xicato XSM LED modules name :

XSM8027-xxxx ; XSM9530-xxxx ;
XSM8030-xxxx ; XSM9540-xxxx ;
XSM8040-xxxx ; XSMV830-xxxx ;
XSM9527-xxxx ;

Direct mounting with 3 screws M3 x 12mm ;
Green indicator marks.

Xicato XIM LED modules name :

XIM198027-xxx ; XIM198040-xxx ; XIM09-V9xxxxxx ;
XIM198030-xxx ; XIM19V830-xxx ;
XIM198035-xxx ; XIM0980 xxxxxx ;

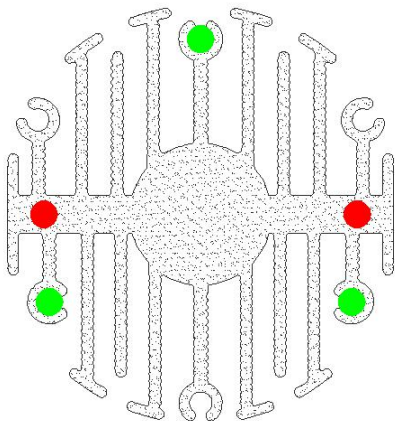
Direct mounting with 3 screws M3 x 20mm ;
Green indicator marks.

Xicato XTM LED modules:

XTM19-8027-xxx ; XTM19-8040-xxx ; XTM0995 xxxxxx ;
XTM19-8030-xxx ; XTM19-V830-xxx ;
XTM19-8035-xxx ; XTM09-V9xxxxxx ;

Direct mounting with 3 screws M3 x 10mm ;
Green indicator marks.

Direct mounting by Zhaga mounting holes with 2 screws M3 x 10mm ;
Red indicator marks.



Mounting Options and Drawings & Dimensions

Example: eLED-XIT-4680-B-1

Example: eLED-XIT-4680-**1**-**2**-**3**

1 Height (mm)

2 Anodising Color

B-Black

C-Clear

Z-Custom

3 Mounting Options - see graphics for details Combinations available

Ex.order code - 12

means option 1 and 2 combined

Notes:

- Mentioned models are an extraction of full product range.

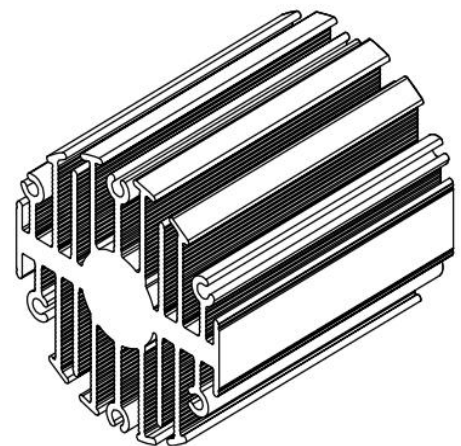
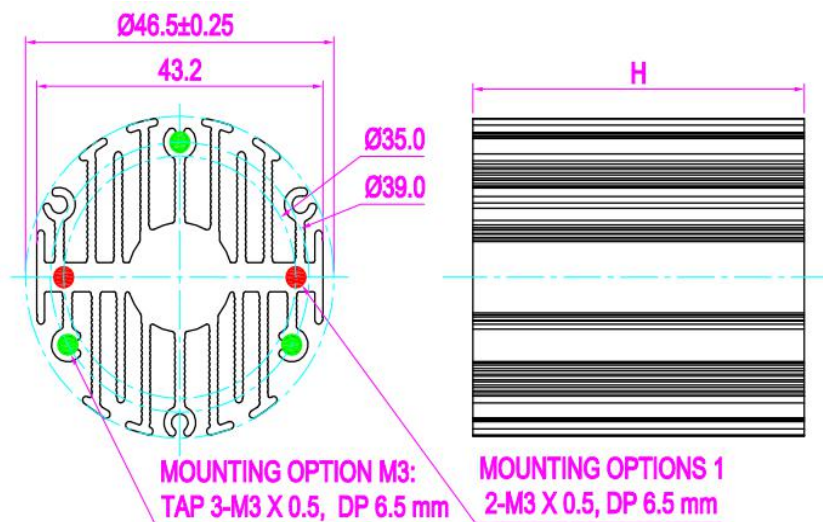
- For specific mechanical adaptations please contact MingfaTech.

-

MingfaTech reserves the right to change products or specifications without prior notice.

XICATO

MOUNTING OPTION	PART NUMBER	THREAD	THREAD DEPTH
N	eLED-XIT-4530-#-N	NONE	NONE
1	eLED-XIT-4530-#-1	(2x)M3*0.5	6.5mm



The thermal data table

	 <i>eLED-4680</i>
Model No.	eLED-XIT-4680
Size	Φ 46.5xH80mm
Material	AL6063-T5
Finish	Black Anodized
Weight(gr)	161.5
Thermal Wattage	13.0W
HeatsinkΘs-a²	65150
Heat Sink T Rise Above Ambient	3.8

Dissipated Power Pd(W)	Pd = Pe x (1- η L)	Heat sink to ambient thermal resistance Rhs-amb ($^{\circ}$ C/W)	Heat sink toambienttemperature riseThs-amb ($^{\circ}$ C)
		eLED-XIT-4680	
3		4.67	14
6		4.67	28
9		4.33	39
12		4.00	48
15		3.73	56

