



for

LED

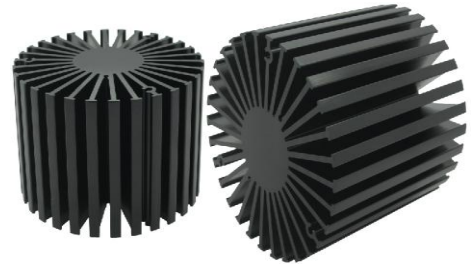


SimpoleD

SimpoleD-LUME-8150 for Lumens Modular Passive LED Cooler Φ 81mm

Features VS Benefits

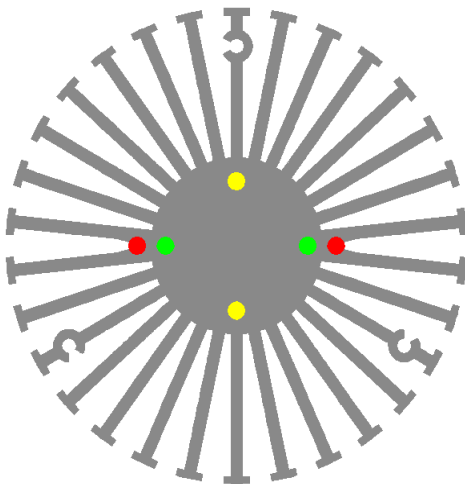
- * The SimpoleD-LUME-8150 Lumens Modular Passive LED Coolers are specifically designed for luminaires using the Lumens LED engines.
- * Mechanical compatibility with direct mounting of the LED engines to the LED cooler and thermal performance matching the lumen packages.
- * For spotlight and downlight designs from 900 to 3100 lumen.
- * Thermal resistance range R_{th} 1.9°C/W.
- * Modular design with mounting holes foreseen for direct mounting of Lumens ERC1507 ERC1512 and ERC1820 LED engines.
- * Diameter 81mm - standard height 50mm Other heights on request.
- * Extruded from highly conductive aluminum.



Lumens LED engine and radiator assembly directly Mounting Options

- * Below you find an overview of Lumens COB's and LED modules which standard fit on the SimpoleD coolers.
- * In this way mechanical after work and related costs can be avoided, and lighting designers can standardize their designs on a limited number of LED coolers.

LUMENS



Lumens LED engines for which Zhaga LED Modules holders are available.

For the ERC1507/1512 LED engines.

ERC1507S8xxHE;	ERC1512S8xxHE;
ERC1507S9xxHE;	ERC1512S9xxHE;

Mounting with machine screws M3x8mm;

NO.1:With Zhaga Book 3 LED holder for red indicator marks.

(Ideal Holder:50-2001CR);

NO.2:With Zhaga Book 11 LED holder for gree indicator marks.

(BJB holder:47.319.6101.50);

(AAG.STUCCHI 8400-G2);

NO.3:Without the LED holder for yellow indicator marks.

For the ERC1820 LED engines.

ERC1820S8xxHE;
ERC1820S9xxHE;

Mounting with machine screws M3x8mm;

NO.1:With Zhaga Book 3 LED holder for red indicator marks.

(Ideal Holder:50-2101CR);

(BJB holder:47.319.2131.50);

NO.2:Without the LED holder for gree indicator marks.

Please refer to the www.lumensleds.com data provided on the manual.



SimpoleD

SimpoleD-LUME-8150 for Lumens Modular Passive LED Cooler Ø81mm

Mounting Options and Drawings & Dimensions

Example: SimpoleD-LUME-8150-B-3

Example: SimpoleD-LUME-81 **1** - **2** - **3**

1 Height (mm)

2 Anodising Color

B-Black

C-Clear

Z-Custom

3 Mounting Options - see graphics for details Combinations available

Ex.order code - 12

means option 1 and 2 combined

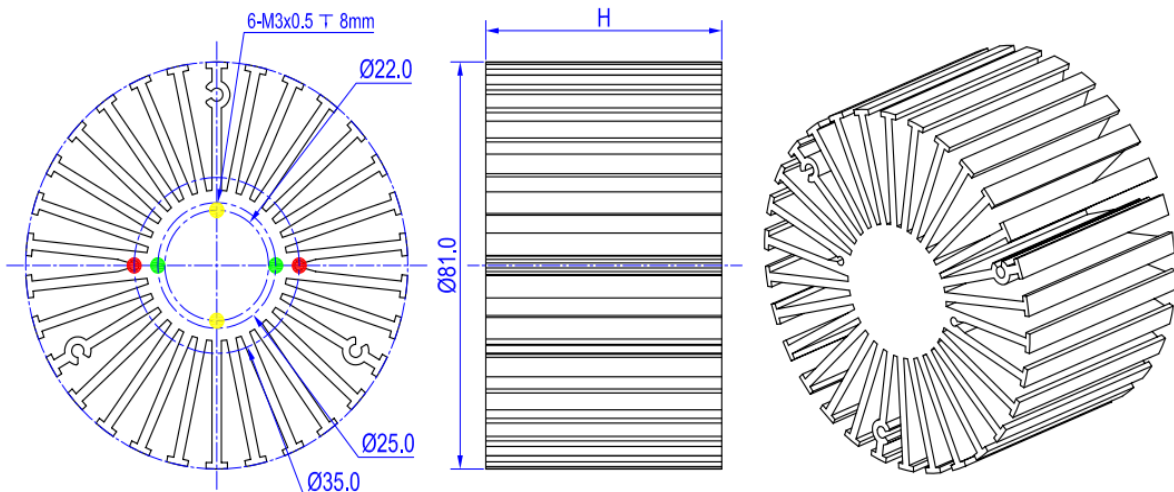
Notes:

- Mentioned models are an extraction of full product range.
- For specific mechanical adaptations please contact MingfaTech.
- MingfaTech reserves the right to change products or specifications without prior notice.

LUMENS



MOUNTING OPTION	Module type	Holder NO.	THREAD	THREAD DEPTH	THREAD HOLE DISTANCE
1		/	M3	8mm	22.0mm/ 2-@180°
2	ERC1507 ERC1512	AAG.STUCCHI 8400-G2	M3	8mm	25.0mm/ 2-@180°
		BJB 47.313.6101.50			
	ERC1820	/			
3	ERC1507 ERC1512	Ideal Holde 50-2001CR	M3	8mm	35.0mm/ 2-@180°
		Ideal Holde 50-2101CR			
	BJB 47.313.2131.50				
	ERC1820	/			



SimpoleD

SimpoleD-LUME-8150 for Lumens Modular Passive LED Cooler Φ 81mm

The thermal data table

	 <i>SimpoleD-8150</i>
Model No.	SimpoleD-LUME-8150
Size	Φ81xH50mm
Material	AL6063-T5
Finish	Black Anodized
Weight(g)	318.0
Thermal Wattage	26.5W
HeatsinkOs-a²	94517
Heat Sink T Rise Above Ambient	1.9

Dissipated Power Pd(W)	Pd = Pe x (1- η L)	Heat sink to ambient thermal resistance Rhs-amb ($^{\circ}$ C/W)	Heat sink to ambient temperature rise Ths-amb ($^{\circ}$ C)
		SimpoleD-LUME-8150	SimpoleD-LUEM-8150
6.0		2.60	15.6
12.0		2.18	26.2
18.0		1.97	35.6
24.0		1.83	44.0
30.0		1.72	51.8

