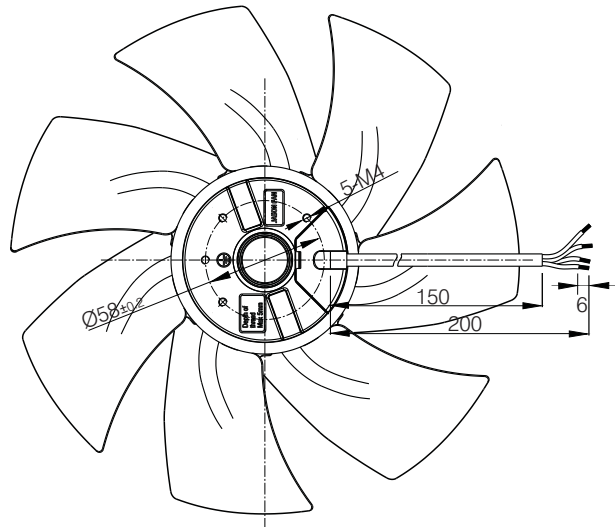
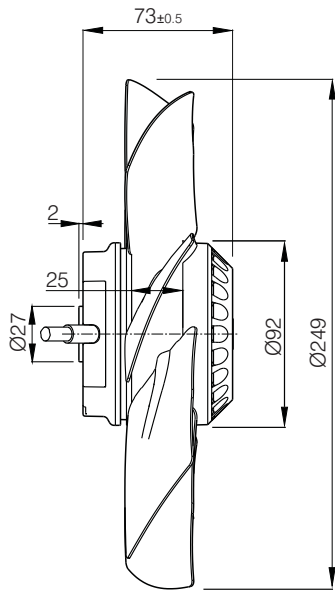
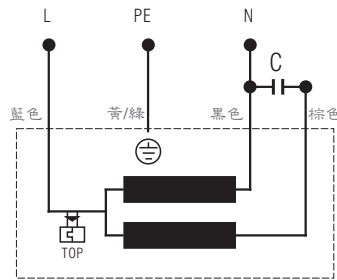


# FJ2E-250.A



"V" ←  
"A" →  
Dir. of air flow  
風流方向選擇



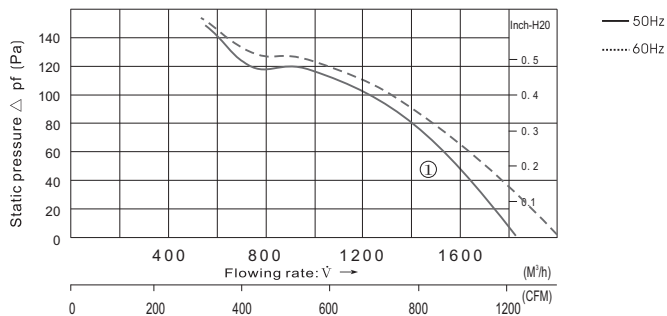
Single Phase Capacitor  
Motor Wiring Diagram

L = Blue Wire  
N = Black Wire  
PE = Yellow/Green Wire  
C = Capacitor  
TOP = Thermal Protector

Outline Dimensions (Units:mm)

- Ⓐ Rotation direction of blades : CW seen from the front impellers
- Ⓑ Power Connection: UL3266-18 Lead wire
- Ⓒ Unit weight: 1.8kg

- Ⓐ 風扇旋向：從扇葉方向看為順時針
- Ⓑ 電源連接：UL3266-18 引線連接
- Ⓒ 單機重量：1.8kg



## Parameters

Type 產品型號	Motor 電機	Rated Voltage 額定電壓 V	Frequency 周波數 Hz	current 電流 (A)	Power 功率 (W) +10% -20%	Speed 回轉速度 (min <sup>-1</sup> )	Max Air Flow 最大風量 CFM m <sup>3</sup> /h	Static Pressure 最大靜壓 (Pa)	Noise 噪音 (dB)	Curve 曲線	Capacitor 電容 (μF)
FJ2S-250.V/A	M2S9202-AF	115	50	1.10	110	2550	1098 1860	150	67	①	8.0/250
			60	1.20	140	2800	1239 2100	155	69		
FJ2E-250.V/A	M2E9202-AF	230	50	0.48	105	2550	1098 1860	150	67	①	3.0/450
			60	0.62	140	2800	1239 2100	155	69		
FJ2D-250.V/A	M2D9202-AF	380	50	0.29	115	2550	1098 1860	150	67	①	1.0/630
			60	0.39	150	2800	1239 2100	155	69		