

HYBRID STEPPER SERVO MOTOR

H607(56mm) – 0.72°/step, 5 Phase

General Specifications

Step Angel: 0.72°/step
 Ambient Temperature: (0-55)°C
 Leadwire: AWG26 UL1007

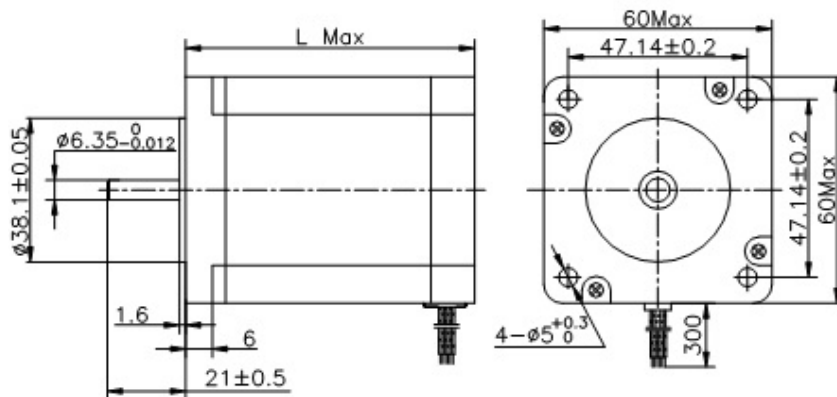
Picture



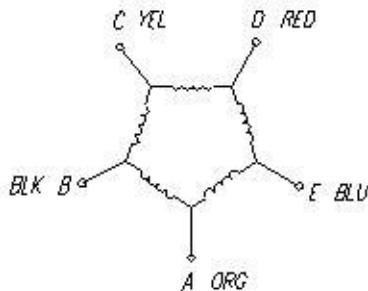
Electrical Specification

Series Model	L (mm)	Phase Current (A)	Phase Resistance (Ω)	Phase Inductance (mH)	Holding Torque (N.cm)	Moment of Inertia (kg.cm ²)	Leadwire (No.)	Motor Weight (g)
H607-00815	56	1.5	1.3	3	0.8	0.28	5	580
H607-01007	64	0.75	3.6	9.2	1.0	0.38	5	450
H607-01307	76	0.75	5.0	13.5	1.3	0.48	5	1150
H607-01615	90	1.5	1.2	3.8	1.6	0.28	5	1400

Mechanical Dimensions



Standard Leadwire Configuration



Complementary Products:

- Special shaft
- Encoders
- Connector
- Long leadwires