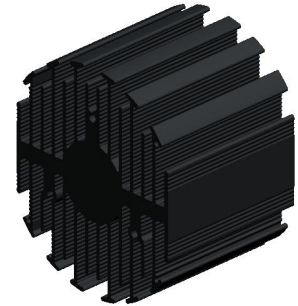


eLED

eLED-LUME-7050 Lumens Modular Passive Star LED Heat Sink Φ 70mm

Features VS Benefits

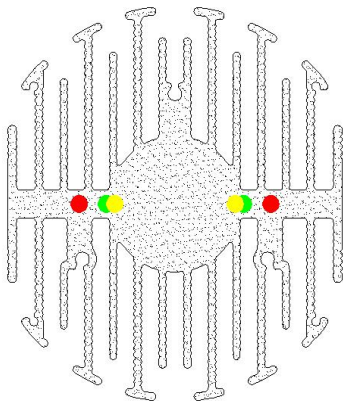
- * The eLED-LUME-7050 Lumens Modular Passive Star LED Heat Sinks are specifically designed for luminaires using the Lumens LED engines.
- * Mechanical compatibility with direct mounting of the LED engines to the LED cooler and thermal performance matching the lumen packages.
- * For spotlight and downlight designs from 1000 to 2500 lumen.
- * Thermal resistance range R_{th} 2.18°C/W.
- * Modular design with mounting holes foreseen for direct mounting of Lumens ERC1507, ERC1512, ERC1820 LED and AC-ALL series engines.
- * Diameter 70mm - standard height 50mm Other heights on request.
- * Extruded from highly conductive aluminum.



Zhaga LED engine and radiator assembly is a unified future international standardization

- * Below you find an overview of Lumens COB's and LED modules which standard fit on the eLED Star LED Heat Sinks.
- * In this way mechanical after work and related costs can be avoided, and lighting designers can standardize their designs on a limited number of Star LED Heat Sinks.

LUMENS



Lumens LED engines for which Zhaga LED Modules holders are available.

For the ERC1507/1512 LED engines.

ERC1507S827HE;
ERC1507S830HE;
ERC1507S835HE;
ERC1507S840HE;
ERC1507S850HE;
ERC1507S927HE;
ERC1507S930HE;
ERC1507S935HE;

ERC1512S827HE;
ERC1512S830HE;
ERC1512S835HE;
ERC1512S840HE;
ERC1512S850HE;
ERC1512S927HE;
ERC1512S930HE;
ERC1512S935HE;

Mounting with machine screws M3x8mm;

NO.1:With Zhaga Book 3 LED holder for red indicator marks.

(Ideal Holder:50-2001CR);

NO.2:With Zhaga Book 11 LED holder for gree indicator marks.

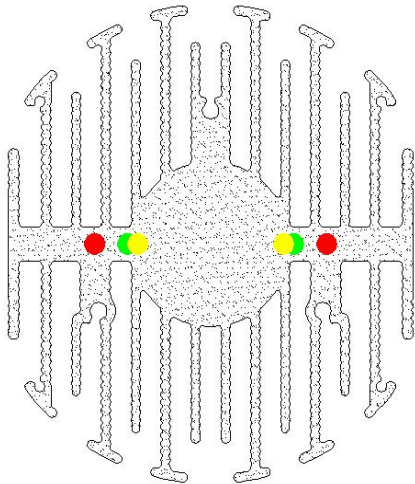
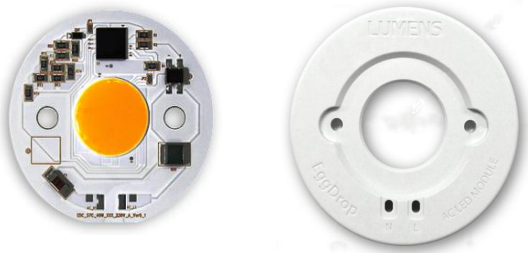
(BJB holder:47.319.6101.50);

(AAG.STUCCHI 8400-G2);

NO.3:Without the LED holder for yellow indicator marks.

Please refer to the www.lumensleds.com data provided on the manual.

LUMENS



Lumens LED engines for which Zhaga LED Modules holders are available.

For the ERC1820 LED engines.

- ERC1820S827HE;
- ERC1820S830HE;
- ERC1820S835HE;
- ERC1820S840HE;
- ERC1820S850HE;
- ERC1820S927HE;
- ERC1820S930HE;
- ERC1820S935HE;

Mounting with machine screws M3x8mm;

NO.1: With Zhaga Book 3 LED holder for red indicator marks.

(Ideal Holder: 50-2101CR);

(BJB holder: 47.319.2131.50);

NO.2: Without the LED holder for green indicator marks.

For the AC-ALL series LED engines.

- EDC/47C/9W/XXX/230V/A;
- EDC/47C/10W/XXX/230V/A;
- EDC/47C/12W/XXX/230V/A;
- EDC/47C/15W/XXX/230V/A;
- EDC/47C/20W/XXX/230V/A;
- EDC/57C/10W/XXX/230V/A;
- EDC/57C/12W/XXX/230V/A;
- EDC/57C/15W/XXX/230V/A;
- EDC/57C/20W/XXX/230V/A;

- EDC/47C/9W/XXX/120V/B;
- EDC/47C/10W/XXX/120V/B;
- EDC/47C/12W/XXX/120V/B;
- EDC/47C/15W/XXX/120V/B;
- EDC/47C/20W/XXX/120V/B;
- EDC/57C/10W/XXX/120V/B;
- EDC/57C/12W/XXX/120V/B;
- EDC/57C/15W/XXX/120V/B;
- EDC/57C/20W/XXX/120V/B;

Mounting with machine screws M3x8mm;

With Zhaga Book 3 Lumens LED holder for red indicator marks.

Please refer to the www.lumensleds.com data provided on the manual.



for

LED



eLED

eLED-LUME-7050 Lumens Modular Passive Star LED Heat Sink $\Phi 70\text{mm}$

Mounting Options and Drawings & Dimensions

Example:eLED-LUME-7050-B-3

Example:eLED-LUME-70 **1** - **2** - **3**

- 1** Height (mm)
- 2** Anodising Color
B-Black
C-Clear
Z-Custom
- 3** Mounting Options - see graphics for details Combinations available
Ex.order code - 12
means option 1 and 2 combined

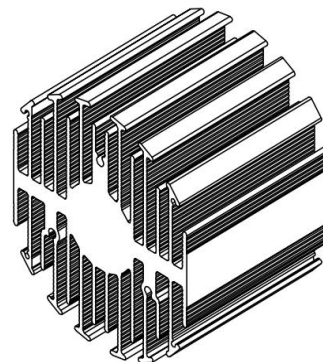
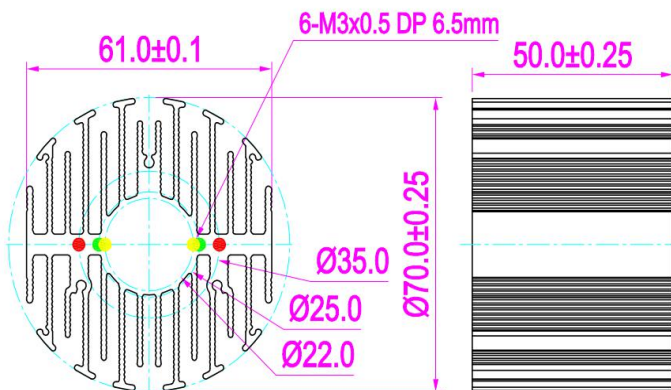
Notes:

- Mentioned models are an extraction of full product range.
 - For specific mechanical adaptations please contact MingfaTech.
 - MingfaTech reserves the right to change products or specifications without prior notice.
- Note : option 1 and option 2 can not be combined

LUMENS



MOUNTING OPTION	Module type	Holder NO.	THREAD	THREAD DEPTH	THREAD HOLE DISTANCE
1		/	M3	6.5mm	22.0mm/ 2-@180°
2	ERC1507 ERC1512	AAG.STUCCHI 8400-G2	M3	6.5mm	25.0mm/ 2-@180°
		BJB 47.313.6101.50			
	ERC1820	/			
3	ERC1507 ERC1512	Ideal Holde 50-2001CR	M3	6.5mm	35.0mm/ 2-@180°
		Ideal Holde 50-2101CR			
	BJB 47.313.2131.50				
	AC-ALL	Lumens			



Tel:+86-769-39023131
E-fax:+86-(020)28819702 ext:22122
Email:sales@mingfatech.com
Http://www.heatsinkled.com
Http://www.mingfatech.com



eLED

eLED-LUME-7050 Lumens Modular Passive Star LED Heat Sink Φ 70mm

The thermal data table

	 <i>eLED-7050</i>
Model No.	eLED-LUME-7050
Size	Φ70xH50mm
Material	AL6063-T5
Finish	Black Anodized
Weight(g)	206
Thermal Wattage	22.9W
Heatsink Θ_{s-a}^2	73369
Heat Sink T Rise Above Ambient	2.18

Dissipated Power Pd(W)	Pd = Pe x (1- η L)	
	Heat sink to ambient thermal resistance Rhs-amb ($^{\circ}$ C/W)	Heat sink to ambient temperature rise T _{hs-amb} ($^{\circ}$ C)
	eLED-LUME-7050	
5	3.40	17
10	2.80	28
15	2.70	37
20	2.25	45
25	2.16	54

