

SimpoLED

SimpoLED-OSR-13550 for OSRAM Modular Passive LED Cooler ϕ 135mm

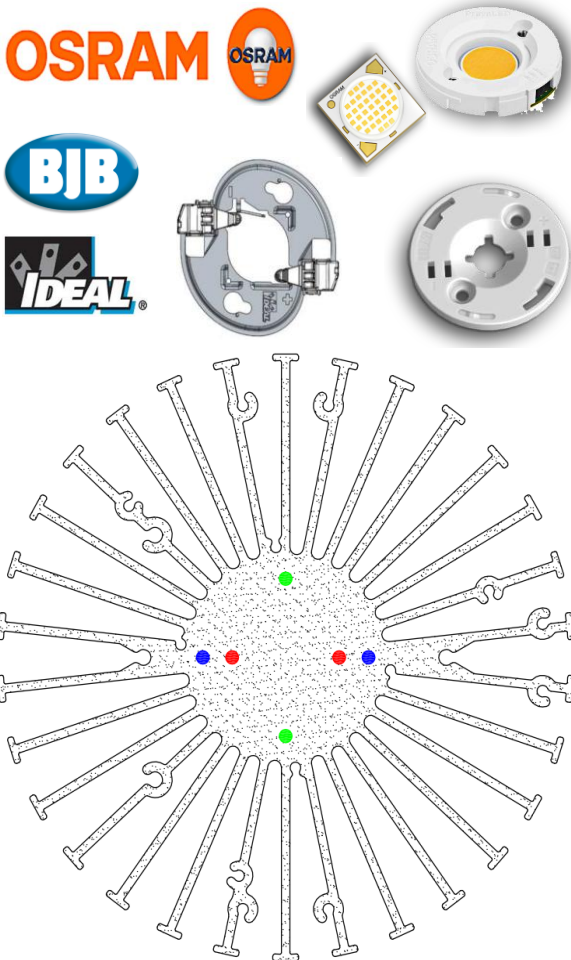
Features VS Benefits

- * The SimpLED-OSR-13550 OSRAM Modular Passive LED Coolers are specifically designed for luminaires using the OSRAM LED engines.
- * Mechanical compatibility with direct mounting of the LED engines to the LED cooler and thermal performance matching the lumen packages.
- * For spotlight and downlight designs from 2100 to 6100 lumen.
- * Thermal resistance range Rth 0.83°C/W.
- * Modular design with mounting holes foreseen for direct mounting of OSRAM SOLERIQ P and SOLERIQ S LED engines.
- * Diameter 135mm - standard height 50mm Other heights on request.
- * Extruded from highly conductive aluminum.



Zhaga LED engine and radiator assembly is a unified future international standardization

- * Below you find an overview of OSRAM engines COB's and LED modules which standard fit on the SimpLED coolers.
- * In this way mechanical after work and related costs can be avoided, and lighting designers can standardize their designs on a limited number of LED coolers.



OSRAM LED engines Mounting Options

Osram SOLERIQ S19 LED modules.

GW KAHNB1.CM-TSTU-27S3;
GW KAHNB1.CM-TSTU-30S3;
GW KAHNB1.CM-TTUP-35S3;
GW KAHNB1.CM-TUUC-40S3;

GW KAHNB1.EM-TUUC-27S3;
GW KAHNB1.EM-TUUC-30S3;
GW KAHNB1.EM-UPUR-35S3;
GW KAHNB1.EM-UPUS-40S3;

Zhaga Book3

Green indicator marks ;
BJB holder:47.319.2170.50 ;
AAG.STUCCHI holder:8503-G2 ;
Direct mounting with machine screws M3x6mm.

Osram SOLERIQ P13 modules.

GW MAGMB1.CM-SUTR-27S3;
GW MAGMB1.CM-TPTS-30S3;
GW MAGMB1.CM-TPTS-35S3;
GW MAGMB1.CM-TQTT-40S3;

GW MAGMB1.EM-TQTT-27S3;
GW MAGMB1.EM-TRTU-30S3;
GW MAGMB1.EM-TSUP-35S3;
GW MAGMB1.EM-TSUP-40S3;
GW MAGMB1.EM-TSUP-50S3;

Zhaga Book3

Green indicator marks ;
BJB holder:47.319.2131.50 ;
IDEAL holder:50-2101CR ;
Direct mounting with machine screws M3x6mm.

SimpoLED

SimpoLED-OSR-13550 for OSRAM Modular Passive LED Cooler Φ 135mm

Mounting Options and Drawings & Dimensions

Example: SimpoLED-OSR-13550-B-3

Example: SimpoLED-OSR-135 **1** - **2** - **3**

1 Height (mm)

2 Anodising Color

B-Black

C-Clear

Z-Custom

3 Mounting Options - see graphics for details Combinations available

Ex.order code - 12

means option 1 and 2 combined

Notes:

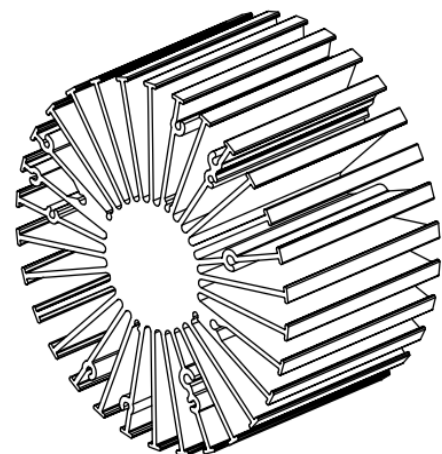
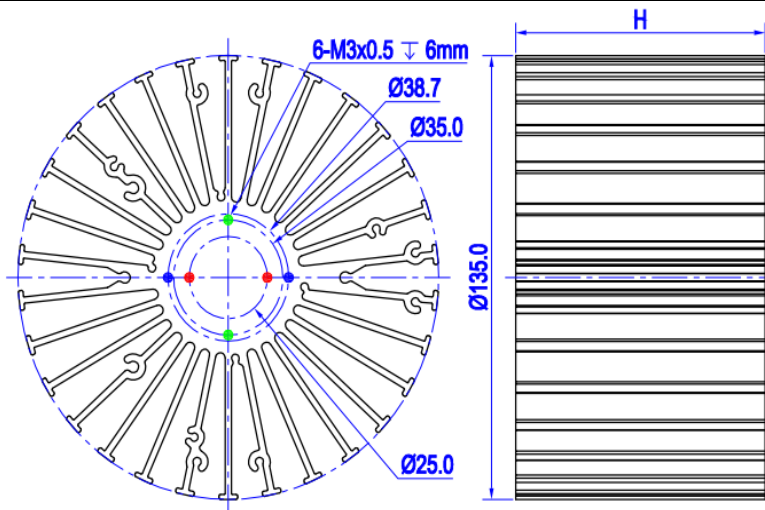
- Mentioned models are an extraction of full product range.
- For specific mechanical adaptations please contact MingfaTech.
- MingfaTech reserves the right to change products or specifications without prior notice.



A. A. G.
STUCCHI
ideas are made of light



MOUNTING OPTION	Module type	Holder NO.	THREAD	THREAD DEPTH	THREAD HOLE DISTANCE
1	SOLERIQ P9	AAG.STUCCHI:8501-G2	M3	6mm	25.0mm/ 2-@180°
		BJB:47.319.6200.50			
2	PrevaLED Core AC PrevaLED Core Z3 PrevaLED Core Z4	/	M3	6mm	35.0mm/ 2-@180°
	SOLERIQ S19	AAG.STUCCHI:8503-G2			
		BJB:47.319.2170.50			
	SOLERIQ p13	IDEAL:50-2101CR			
BJB:47.319.2131.50					
3	SOLERIQ E45	/	M3	6mm	38.7mm/ 2-@180°



SimpoleD

SimpoleD-OSR-13550 for OSRAM Modular Passive LED Cooler Φ 135mm

The thermal data table

	 <i>SimpoleD-13550</i>
Model No.	SimpoleD-OSR-13550
Size	Φ135xH50mm
Material	AL6063-T5
Finish	Black Anodized
Weight(gr)	638.0
Thermal Wattage	60.3W
HeatsinkOs-a²	155618
Heat Sink T Rise Above Ambient	0.83

Dissipated Power Pd(W)	Pd = Pe x (1-ηL)	Heat sink to ambient thermal resistance Rhs-amb (°C/W)	Heat sink to ambient temperature rise Ths-amb (°C)
		SimpoleD-OSR-13550	SimpoleD-OSR-13550
15.0		1.00	15.0
30.0		0.87	26.0
45.0		0.79	35.7
60.0		0.74	44.8
75.0		0.71	53.4
90.0		0.68	61.6

