



for

LED

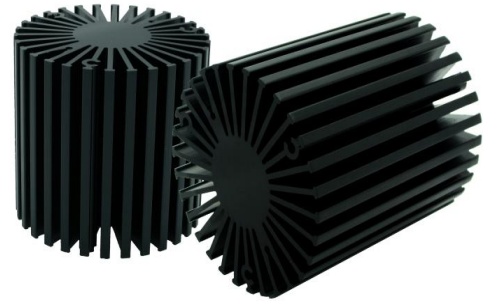


SimpoleD

SimpoleD-SEO-5850 for Seoul Modular Passive LED Cooler ϕ 58mm

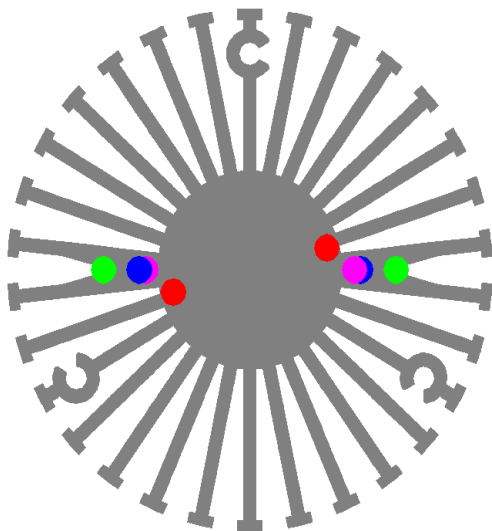
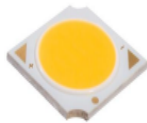
Features VS Benefits

- * The SimpoleD-SEO-5850 Seoul Modular Passive LED Coolers are specifically designed for luminaires using the Seoul LED engines.
- * Mechanical compatibility with direct mounting of the LED engines to the LED cooler and thermal performance matching the lumen packages.
- * For spotlight and downlight designs from 500 to 1700 lumen.
- * Thermal resistance range Rth 3.7°C/W.
- * Modular design with mounting holes foreseen for direct mounting of Seoul ZC4 Series, ZC6 Series, ZC12 Series and ZC18 Series COB engines.
- * Diameter 58mm - standard height 50mm Other heights on request.
- * Extruded from highly conductive aluminum.



Zhaga LED engine and radiator assembly is a unified future international standardization

- * Below you find an overview of Seoul COB's and LED modules which standard fit on the SimpoleD coolers.
- * In this way mechanical after work and related costs can be avoided, and lighting designers can standardize their designs on a limited number of LED coolers.



Seoul COB engines Mounting Options

ZC4 Series COB Modules:

- SDW01F1B;
- SDW81F1B;

ZC6 Series COB Modules:

- SDW01F1C;
- SDW81F1C;
- SDW91F1C;

Zhaga Book 11 hoder;
 Pink indicator marks
 BJB Spotlight connector 47.319.6060.50
 Mounting with 2 screws M3x8mm.

Direct mounting with 2 screws M3x6mm.
 Red indicator marks

ZC12 Series COB Modules name:

- SDW02F1C;
- SDW82F1C;
- SDW92F1C;

ZC18 Series COB Modules name:

- SDW03F1C;
- SDW83F1C;
- SDW93F1C;

Zhaga Book3 Holes ,
 BJB Semiconductor Spotlight connector 47.319.2021.50

TE Connectivity Lumawise type Z502213254-1
 TE Connectivity Lumawise type Z502213254-2

Green indicator marks
 Mounting with 2 screws M3x8mm.

Direct mounting with 2 screws M3x6mm.
 Blue indicator marks

SimpoleD

SimpoleD-SEO-5850 for Seoul Modular Passive LED Cooler Φ 58mm

Mounting Options and Drawings & Dimensions

Example: SimpoleD-SEO-5850-B-3

Example: SimpoleD-SEO-58 1 - 2 - 3

- 1 Height (mm)
- 2 Anodising Color
B-Black
C-Clear
Z-Custom
- 3 Mounting Options - see graphics for details Combinations available
Ex.order code - 12
means option 1 and 2 combined

Notes:

- Mentioned models are an extraction of full product range.
- For specific mechanical adaptations please contact MingfaTech.
- MingfaTech reserves the right to change products or specifications without prior notice.

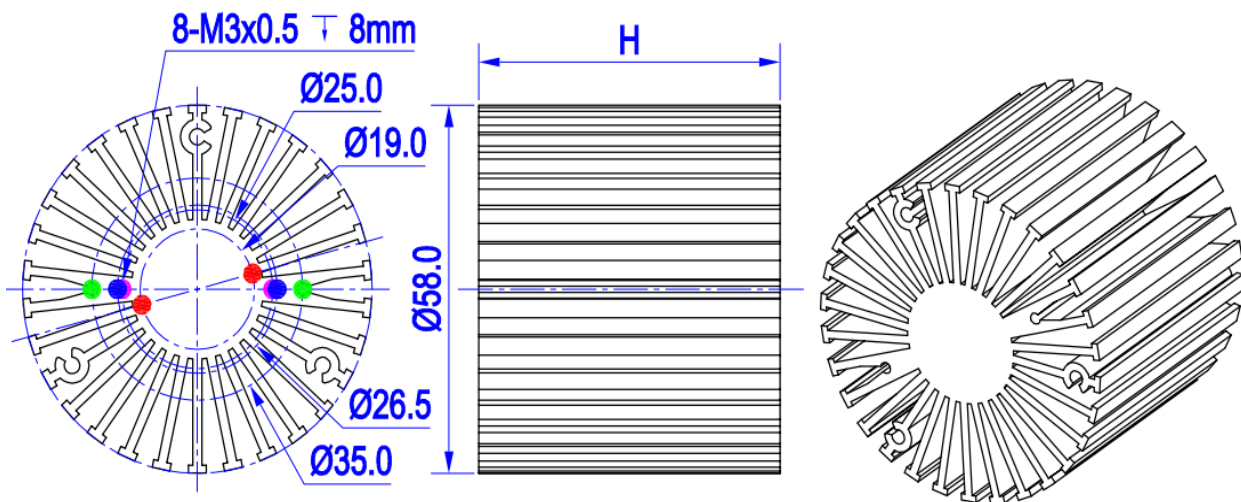


SEOUL SEMICONDUCTOR



Note! : option 2 and option 3 can't not be combined .

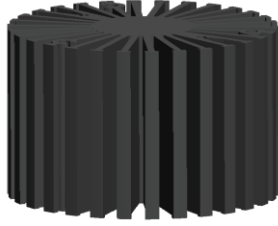
MOUNTING OPTION	Module type	Holder NO.	THREAD	THREAD DEPTH	THREAD HOLE DISTANCE
1	ZC4 Series ZC6 Series	/	M3	6mm	19mm/ 2-@180°
2	ZC4 Series ZC6 Series	BJB:47.319.6060.50;	M3	6mm	25mm/ 2-@180° Zhaga Book 11
3	ZC12 Series ZC18 Series	/	M3	6mm	26.8mm/ 2-@180°
4	ZC12 Series ZC18 Series	BJB:47.319.2040.50;	M3	6mm	35mm/ 2-@180° Zhaga Book3
	ZC25 Series ZC40 Series ZC60 Series	BJB: 47.319.2030.50	M3	6mm	



SimpoleD

SimpoleD-SEO-5850 for Seoul Modular Passive LED Cooler Φ 58mm

The thermal data table

	 <i>SimpoleD-SEO-5850</i>
Model No.	SimpoleD-SEO-5850
Size	Φ58xH50mm
Material	AL6063-T5
Finish	Black Anodized
Weight(g)	174.0
Thermal Wattage	12.2W
HeatsinkOs-a²	65040
Heat Sink T_{Rise Above Ambient}	3.7

Dissipated Power Pd(W)	Pd = Pe x (1-ηL)	Heat sink to ambient thermal resistance Rhs-amb (°C/W)	Heat sink to ambient temperature rise Ths-amb (°C)
		SimpoleD-SEO-5850	SimpoleD-SEO-5850
3.0		4.8	14.5
6.0		4.2	25.0
9.0		3.8	34.5
12.0		3.7	43.0
15.0		3.4	51.0
18.0		0.2	3.0

