



for

LED

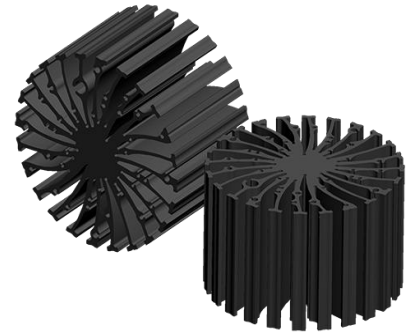


*EtraLED*

**EtraLED-SHA-130100 Sharp Modular Passive Star LED Heat Sink  $\Phi$ 130mm**

**Features VS Benefits**

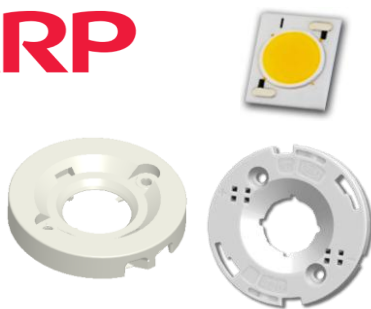
- \* The EtraLED-SHA-130100 Sharp Modular Passive Star LED Heat Sinks are specifically designed for luminaires using the Sharp LED engines.
- \* Mechanical compatibility with direct mounting of the LED engines to the LED cooler and thermal performance matching the lumen packages.
- \* For spotlight and downlight designs from 2500 to 9200 lumen.
- \* Thermal resistance range Rth 0.65°C/W.
- \* Modular design with mounting holes foreseen for direct mounting of SHARP Mega Zenigata LED engines.
- \* Diameter 130mm - standard height 100mm Other heights on request.
- \* Extruded from highly conductive aluminum.



**Zhaga LED engine and radiator assembly is a unified future international standardization**

- \* Below you find an overview of Sharp engines COB's and LED modules which standard fit on the EtraLED Star LED Heat Sinks.
- \* In this way mechanical after work and related costs can be avoided, and lighting designers can standardize their designs on a limited number of LED Star LED Heat Sinks.

**SHARP**



**Sharp LED engines Mounting Options.**

**Mega Zenigata LED modules name:**

- GW6DME27XFC;
- GW6DME30XFC;
- GW6DME40XFC;
- GW6DME50XFC;

- GW6DGE27XFC;
- GW6DGE30XFC;
- GW6DGE40XFC;
- GW6DGE50XFC;

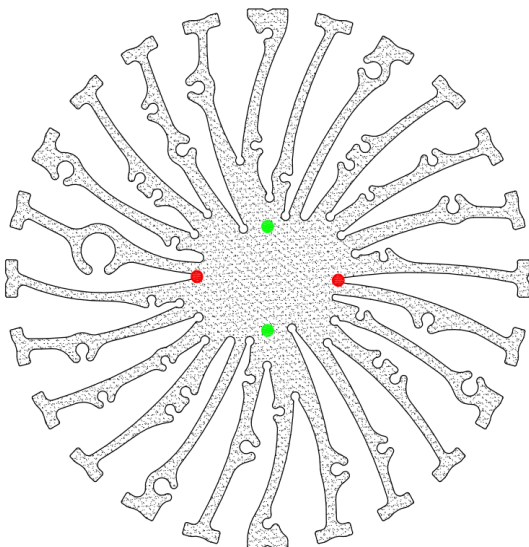
**Zhaga Book3 connector:**

BJB Spotlight connector:47.319.2011.50;

TE Connectivity:2213130-2

Mounting with machine screws M3x8mm;

Red indicator marks





for

LED



EtraLED

EtraLED-SHA-130100 Sharp Modular Passive Star LED Heat Sink  $\Phi$ 130mm

**Mounting Options and Drawings & Dimensions**

Example: EtraLED-SHA-130100-B-3

Example: EtraLED-SHA-130 **1** - **2** - **3**

- 1** Height (mm)
- 2** Anodising Color  
B-Black  
C-Clear  
Z-Custom
- 3** Mounting Options - see graphics for details Combinations available  
Ex.order code - 12  
means option 1 and 2 combined

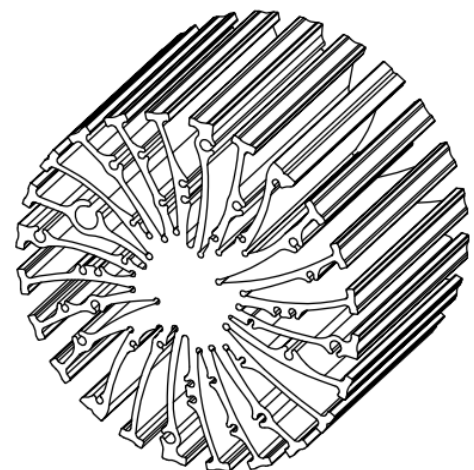
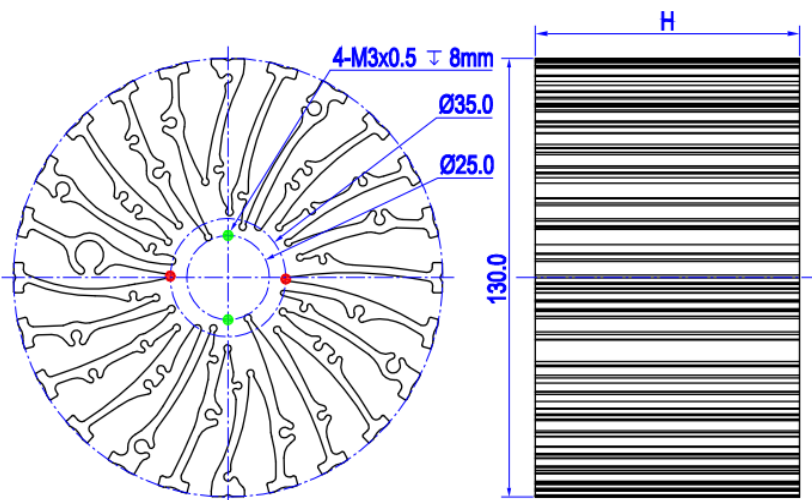
**Notes:**

- Mentioned models are an extraction of full product range.
- For specific mechanical adaptations please contact MingfaTech.
- MingfaTech reserves the right to change products or specifications without prior notice.

SHARP



| MOUNTING OPTION | Module type   | Holder NO.                                     | THREAD | THREAD DEPTH | THREAD HOLE DISTANCE |
|-----------------|---------------|--|--------|--------------|----------------------|
| 1               | Mini ZENIGATA | BJB<br>(47.319.6180.50)                        | M3     | 8mm          | 25.0mm/ @180°        |
| 2               | Mega ZENIGATA | BJB<br>(47.319.2011.50)<br>Type<br>(2213130-2) | M3     | 8mm          | 35.0mm/ @180°        |
|                 | Standard Slim | /  |        |              |                      |



Tel:+86-769-39023131  
E-fax:+86-(020)28819702 ext:22122  
Email:sales@mingfatech.com  
Http://www.heatsinkled.com  
Http://www.mingfatech.com





for

LED



*EtraLED*

EtraLED-SHA-130100 Sharp Modular Passive Star LED Heat Sink  $\Phi$ 130mm

The thermal data table

|                                       |   |
|---------------------------------------|---|
|                                       |  <p><i>EtraLED-130100</i></p> |
| <b>Model No.</b>                      | <b>EtraLED-SHA-130100</b>   |
| <b>Size</b>                           | <b><math>\Phi</math>130xH100mm</b>  |
| <b>Material</b>                       | <b>AL6063-T5</b>  |
| <b>Finish</b>                         | <b>Black Anodized</b>   |
| <b>Weight(gr)</b>                     | <b>1384.0</b>   |
| <b>Thermal Wattage</b>                | <b>76.2W</b>  |
| <b>HeatsinkOs-a<sup>2</sup></b>       | <b>304263</b>   |
| <b>Heat Sink T Rise Above Ambient</b> | <b>0.65</b>   |

| Dissipated Power Pd(W) | Pd =<br>Pe x (1-ηL) | Heat sink to ambient thermal resistance Rhs-amb (°C/W) | Heat sink to ambient temperature rise Ths-amb (°C) |
|------------------------|---------------------|--|--|
|                        |                     | EtraLED-SHA-130100                                     | EtraLED-SHA-130100                                 |
| 15                     |                     | 1.20   | 18.0   |
| 25                     |                     | 1  | 25.0   |
| 30                     |                     | 0.95   | 28.5   |
| 40                     |                     | 0.75   | 30.0   |
| 50                     |                     | 0.70   | 35.0   |
| 55                     |                     | 0.68   | 37.4   |
| 65                     |                     | 0.67   | 43.6   |
| 75                     |                     | 0.65   | 48.8   |

