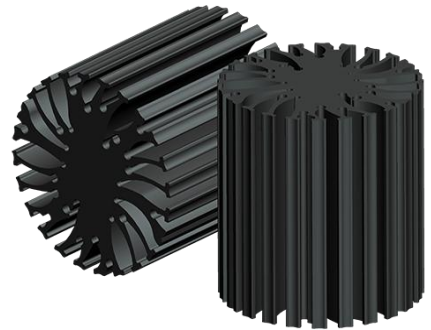


## EtraLED

### EtraLED-OSR-4880 Osram Modular Passive Star LED Heat Sink $\Phi$ 48mm

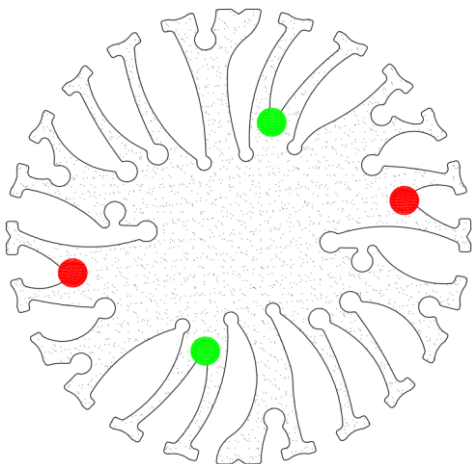
#### Features VS Benefits

- \* The EtraLED-OSR-4880 Osram Modular Passive Star LED Heat Sinks are specifically designed for luminaires using the Osram LED engines.
- \* Mechanical compatibility with direct mounting of the LED engines to the LED cooler and thermal performance matching the lumen packages.
- \* For spotlight and downlight designs from 800 to 1600 lumen.
- \* Thermal resistance range  $R_{th}$  3.6°C/W.
- \* Modular design with mounting holes foreseen for direct mounting of Osram SOLERIQ P6, SOLERIQ S13 and PrevaLED Core LED engines.
- \* Diameter 48mm - standard height 80mm Other heights on request.
- \* Extruded from highly conductive aluminum.



#### Zhaga LED engine and radiator assembly is a unified future international standardization

- \* Below you find an overview of Osram COB's and LED modules which standard fit on the EtraLED Star LED Heat Sinks.
- \* In this way mechanical after work and related costs can be avoided, and lighting designers can standardize their designs on a limited number of Star LED Heat Sinks.



#### Osram LED Modules Mounting Options

For the Osram PrevaLED Core Z3 LED modules.

PL-CORE -1100-830-Z3;  
PL-CORE -1100-840-Z3;

Zhaga Book3 Red indicator marks:

Direct mounting with machine screws M3x8mm;

For the Osram SOLERIQ P6 modules.

GW MAEGB1.EM-QPQS-27S3;  
GW MAEGB1.EM-QQQT-30S3;  
GW MAEGB1.EM-QQQT-35S3;  
GW MAEGB1.EM-QRQU-40S3;  
GW MAEGB1.EM-QRQU-40S3;

GW MAEGB1.CM-PTQQ-27S3;  
GW MAEGB1.CM-PUQR-30S3;  
GW MAEGB1.CM-PUQR-35S3;  
GW MAEGB1.CM-QPQS-40S3;

Zhaga Book11 Green indicator marks:

BJB holder:47.319.6190.50; AAG.STUCCHI holder:8500-G2;

Direct mounting with machine screws M3x8mm;

For the Osram SOLERIQ S13 modules.

GW KAGHB1.EM-RRRU-27H3;  
GW KAGHB1.EM-RSRU-30H3;  
GW KAGHB1.EM-RSRU-35H3;  
GW KAGHB1.EM-RTSP-40H3;  
GW KAGHB1.EM-RTSP-50H3;  
GW KAGHB1.EM-RTSP-57H3;  
GW KAGHB1.EM-RTSP-65H3;

GW KAGHB1.CM-RQRT-27H3;  
GW KAGHB1.CM-RRRT-30H3;  
GW KAGHB1.CM-RSRU-40H3;

Zhaga Book11 Green indicator marks:

BJB holder:47.319.6111.50;

Direct mounting with machine screws M3x8mm;

**EtraLED**

EtraLED-OSR-4880 Osram Modular Passive Star LED Heat Sink  $\Phi$ 48mm

**Mounting Options and Drawings & Dimensions**

Example: EtraLED-OSR-4880-B-3

Example: EtraLED-OSR-48 **1** - **2** - **3**

**1** Height (mm)

**2** Anodising Color

B-Black

C-Clear

Z-Custom

**3** Mounting Options - see graphics for details Combinations available

Ex.order code - 12

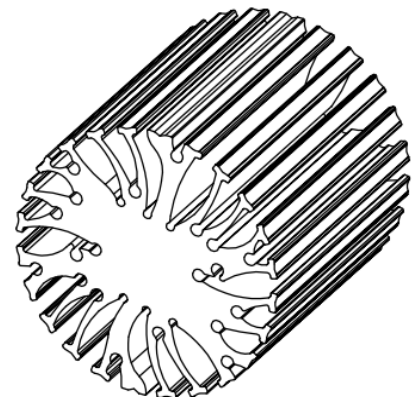
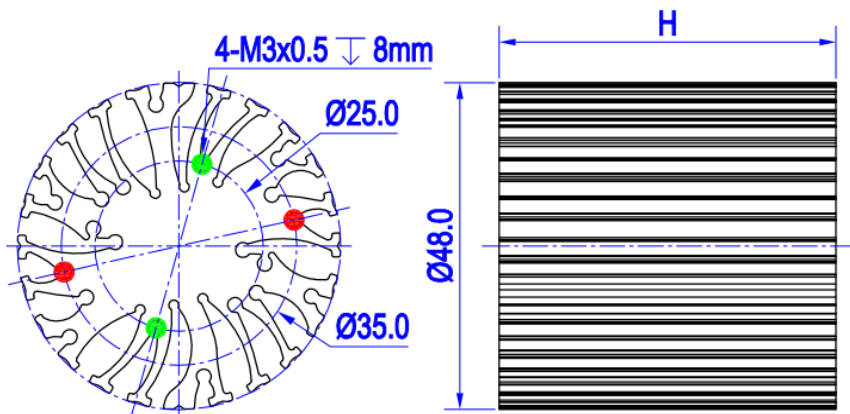
means option 1 and 2 combined

**Notes:**

- Mentioned models are an extraction of full product range.
- For specific mechanical adaptations please contact MingfaTech.
- MingfaTech reserves the right to change products or specifications without prior notice.



| MOUNTING OPTION | Module type   | Holder NO.            | THREAD | THREAD DEPTH | THREAD HOLE DISTANCE |
|-----------------|---------------|-----------------------|--------|--------------|----------------------|
| 1               | SOLERIQ P6    | AAG.STUCCHI (8500-G2) | M3     | 8mm          | 25.0mm/ 2-@180°      |
|                 |               | BJB (47.319.6190.50)  |        |              |                      |
|                 | SOLERIQ S13   | BJB (47.319.6111.50)  |        |              |                      |
| 2               | PrevaLED Core | /                     | M3     | 8mm          | 35.0mm/ 2-@180°      |



The thermal data table

|                                       |   |
|---------------------------------------|---|
|                                       | <br><i>EtraLED-4880</i> |
| <b>Model No.</b>                      | <b>EtraLED-OSR-4880</b>   |
| <b>Size</b>                           | <b><math>\Phi</math>48xH80mm</b>  |
| <b>Material</b>                       | <b>AL6063-T5</b>  |
| <b>Finish</b>                         | <b>Black Anodized</b>   |
| <b>Weight(gr)</b>                     | <b>213.0</b>  |
| <b>Thermal Wattage</b>                | <b>14.0W</b>  |
| <b>HeatsinkOs-a<sup>2</sup></b>       | <b>58826</b>  |
| <b>Heat Sink T Rise Above Ambient</b> | <b>3.6</b>  |

| Dissipated Power Pd(W) | Pd =<br>Pe x (1- $\eta$ L) | Heat sink to ambient thermal resistance<br>Rhs-amb ( $^{\circ}$ C/W) | Heat sink to ambient temperature rise<br>Ths-amb ( $^{\circ}$ C) |
|------------------------|----------------------------|--|--|
|                        |                            | EtraLED-OSR-4880   | EtraLED-OSR-4880   |
| 2.5                    |                            | 4.4  | 11   |
| 4.5                    |                            | 4.2  | 19   |
| 7.0                    |                            | 3.7  | 26   |
| 9.5                    |                            | 3.7  | 35   |
| 12.0                   |                            | 3.6  | 43   |
| 17.5                   |                            | 3.1  | 53   |
| 24.0                   |                            | 2.8  | 66   |

