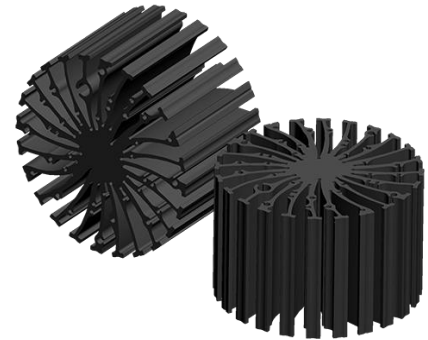


EtraLED

EtraLED-OSR-13050 Osram Modular Passive Star LED Heat Sink Φ 130mm

Features VS Benefits

- * The EtraLED-OSR-13050 Osram Modular Passive Star LED Heat Sinks are specifically designed for luminaires using the Osram LED engines.
- * Mechanical compatibility with direct mounting of the LED engines to the LED cooler and thermal performance matching the lumen packages.
- * For spotlight and downlight designs from 2600 to 6400 lumen.
- * Thermal resistance range R_{th} 0.9°C/W.
- * Modular design with mounting holes foreseen for direct mounting of Osram SOLERIQ P9, SOLERIQ S13 and SOLERIQ S19 LED engines.
- * Diameter 130mm - standard height 50mm Other heights on request.
- * Extruded from highly conductive aluminum.



Zhaga LED engine and radiator assembly is a unified future international standardization

- * Below you find an overview of Osram COB's and LED modules which standard fit on the EtraLED Star LED Heat Sinks.
- * In this way mechanical after work and related costs can be avoided, and lighting designers can standardize their designs on a limited number of Star LED Heat Sinks.



Osram LED Modules Mounting Options

For the Osram SOLERIQ S19 LED modules.

GW KAHNB1.CM-TSTU-27S3;
 GW KAHNB1.CM-TSTU-30S3;
 GW KAHNB1.CM-TTUP-35S3;
 GW KAHNB1.CM-TUUC-40S3;
 GW KAHNB1.EM-TUUC-27S3;
 GW KAHNB1.EM-TUUC-30S3;
 GW KAHNB1.EM-UPUR-35S3;
 GW KAHNB1.EM-UPUS-40S3;

Zhaga Book3 Green indicator marks:

BJB holder:47.319.2170.50;

AAG.STUCCHI holder:8503-G2;

Direct mounting with machine screws M3x6mm;

For the Osram SOLERIQ P13 modules.

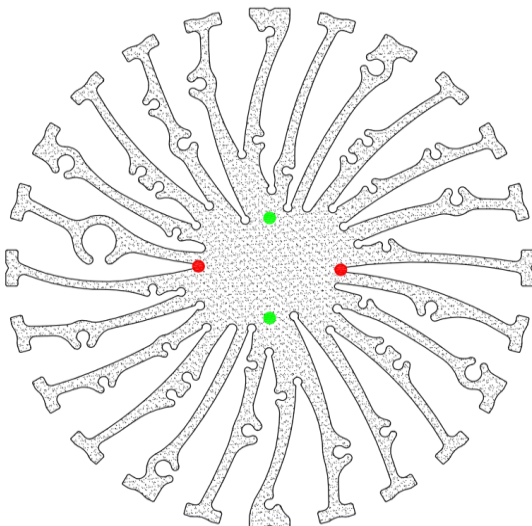
GW MAGMB1.CM-SUTR-27S3;
 GW MAGMB1.CM-TPTS-30S3;
 GW MAGMB1.CM-TPTS-35S3;
 GW MAGMB1.CM-TQTT-40S3;
 GW MAGMB1.EM-TQTT-27S3;
 GW MAGMB1.EM-TRTU-30S3;
 GW MAGMB1.EM-TSUP-35S3;
 GW MAGMB1.EM-TSUP-40S3;
 GW MAGMB1.EM-TSUP-50S3;

Zhaga Book3 Green indicator marks:

BJB holder:47.319.2131.50;

IDEAL holder:50-2101CR;

Direct mounting with machine screws M3x6mm;



EtraLED

EtraLED-OSR-13050 Osram Modular Passive Star LED Heat Sink Φ 130mm

Mounting Options and Drawings & Dimensions

Example: EtraLED-OSR-13050-B-3

Example: EtraLED-OSR-130 **1** - **2** - **3**

- 1** Height (mm)
- 2** Anodising Color
B-Black
C-Clear
Z-Custom
- 3** Mounting Options - see graphics for details Combinations available
Ex.order code - 12 means option 1 and 2 combined

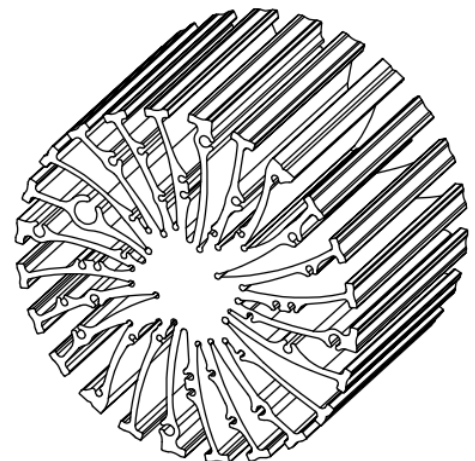
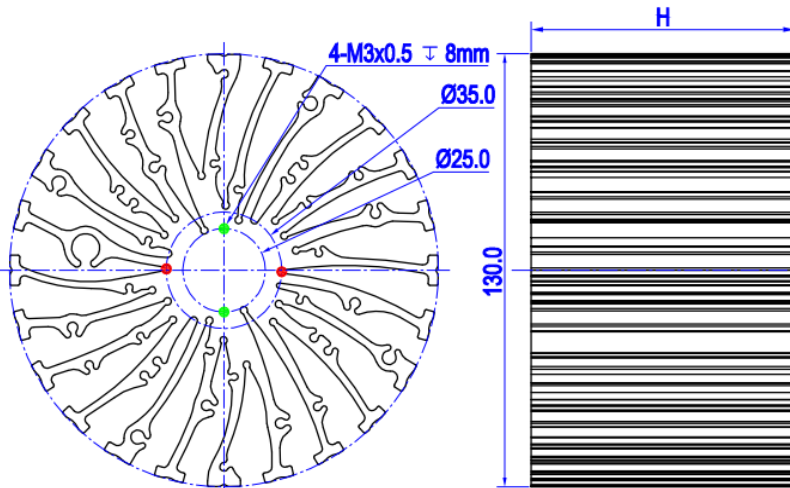


STUCCHI
ideas are made of light

Notes:

- Mentioned models are an extraction of full product range.
- For specific mechanical adaptations please contact MingfaTech.
- MingfaTech reserves the right to change products or specifications without prior notice.

MOUNTING OPTION	Module type	Holder NO.	THREAD	THREAD DEPTH	THREAD HOLE DISTANCE
1	SOLERIQ P9	AAG.STUCCHI (8501-G2)	M3	8mm	25.0mm/ 2-@180°
		BJB (47.319.6200.50)			
2	SOLERIQ S13	BJB (47.319.6111.50)	M3	8mm	35.0mm/ 2-@180°
		AAG.STUCCHI (8503-G2)			
	BJB (47.319.2170.50)				
	SOLERIQ P13	BJB (47.319.2131.50)			
	PrevaLED Core	/			



EtraLED

EtraLED-OSR-13050 Osram Modular Passive Star LED Heat Sink Φ 130mm

The thermal data table

	 <i>EtraLED-13050</i>
Model No.	EtraLED-OSR-13050
Size	Φ130xH50mm
Material	AL6063-T5
Finish	Black Anodized
Weight(gr)	684.0
Thermal Wattage	56.5W
HeatsinkOs-a²	157205
Heat Sink T Rise Above Ambient	0.9

Dissipated Power Pd(W)	Pd = Pe x (1-ηL)	Heat sink to ambient thermal resistance Rhs-amb (°C/W)	Heat sink to ambient temperature rise Ths-amb (°C)
		EtraLED-OSR-13050	EtraLED-OSR-13050
12.0		1.40	17.0
24.0		1.25	30.0
35.0		1.15	40.0
47.0		1.00	47.0
58.0		0.90	52.0
70.0		0.80	63.0

