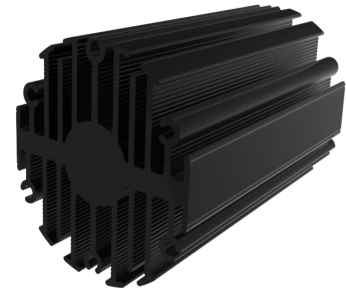


eLED

eLED-VOS-4680 Vossloh-Schwabe Modular Passive Star LED Heat Sink Φ 46mm

Features VS Benefits

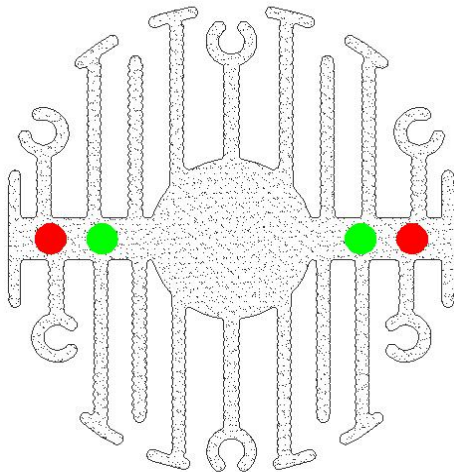
- * The eLED-VOS-4680 Vossloh-Schwabe Modular Passive Star LED Heat Sinks are specifically designed for luminaires using the Vossloh-Schwabe LED engines.
- * Mechanical compatibility with direct mounting of the LED engines to the LED cooler and thermal performance matching the lumen packages.
- * For spotlight and downlight designs from 600 to 1600 lumen.
- * Thermal resistance range R_{th} 3.8°C/W.
- * Modular design with mounting holes foreseen for direct mounting of Vossloh-Schwabe LUGA Shop and LUGA C LED engines.
- * Diameter 46.5mm - standard height 80mm Other heights on request.
- * Extruded from highly conductive aluminum.



Zhaga LED engine and radiator assembly is a unified future international standardization

- * Below you find an overview of Vossloh-Schwabe COB's and LED modules which standard fit on the eLED Star LED Heat Sinks.
- * In this way mechanical after work and related costs can be avoided, and lighting designers can standardize their designs on a limited number of Star LED Heat Sinks.

VS LIGHTING SOLUTIONS



Vossloh-Schwabe LED engines for which Zhaga book3 LED Modules holders are available.

For the LUGA Shop 2014 Module.

WU-M-484-827;
WU-M-484-830;
WU-M-484-835;
WU-M-484-840;

WU-M-485-827;
WU-M-485-830;
WU-M-485-835;
WU-M-485-840;

For the LUGA Shop 2014 PW Module.

WU-M-484-831-PW;
WU-M-485-831-PW;

For the LUGA Shop 2014 HiCRI LED Module.

WU-M-484-927;
WU-M-484-930;
WU-M-484-935;
WU-M-484-940;

WU-M-485-927;
WU-M-485-930;
WU-M-485-935;
WU-M-485-940;

For the LUGA Shop 2014 PW Module.

WU-M-484-931-PW;
WU-M-485-931-PW;

Zhaga Book3 Red indicator marks:

Direct mounting with machine screws M3x6mm;

For the LUGA C 2015 LED engines.

DMC104Cxxx;
DMC115Cxxx;
DMC118Cxxx;

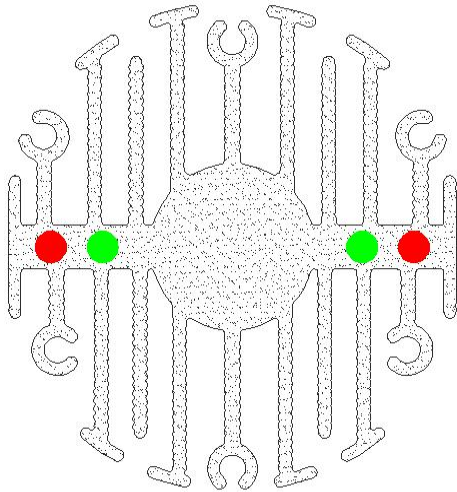
Zhaga Book3 Red indicator marks:

AAG.STUCCHI holder:8101-G2;

BJB holder:47.319.2021.50;

Mounting with machine screws M3x6mm;

Please refer to the "www.vossloh-schwabe.com" data provided on the manual.



Vossloh-Schwabe LED engines for which Zhaga book3 LED Modules holders are available.

For the LUGA Shop 2014 PCB LED engines and the holder.

DMS088C27E1;
DMS088C30E1;
DMS088C35E1;
DMS088C40E1;
DMS128C27E1;
DMS128C30E1;
DMS128C35E1;
DMS128C40E1;

For the LUGA Shop 2014 PCB PW LED engines and the holder.

DMS088C31EP1;
DMS128C31EP1;

For the LUGA Shop 2014 PCB HICRI LED engines and the holder.

DMS088D27E1;
DMS088D30E1;
DMS088D35E1;
DMS088D40E1;
DMS128D27E1;
DMS128D30E1;
DMS128D35E1;
DMS128D40E1;

For the LUGA Shop 2014 PCB PW LED engines and the holder.

DMS088D31EP1;
DMS128D31EP1;

Zhaga Book3 Red indicator marks:
Direct mounting with machine screws M3x6mm;

Please refer to the "www.vossloh-schwabe.com" data provided on the manual.

Vossloh-Schwabe LED engines for which Zhaga book11 LED Modules holders are available.

For the LUGA C 2015 LED engines.
(AAG.STUCCHI holder:8100-G2); (BJB holder:47.319.6060.50);

DMC112C27E;
DMC112C30E;
DMC112C40E;

Zhaga Book11 Green indicator marks:
Direct mounting with machine screws M3x8mm;

Please refer to the "www.vossloh-schwabe.com" data provided on the manual.

eLED

eLED-VOS-4680 Vossloh-Schwabe Modular Passive tar LED Heat Sink Φ 46mm

Mounting Options and Drawings & Dimensions

Example:eLED -VOS-4680-B-1

Example:eLED -VOS-46 1 - 2 - 3

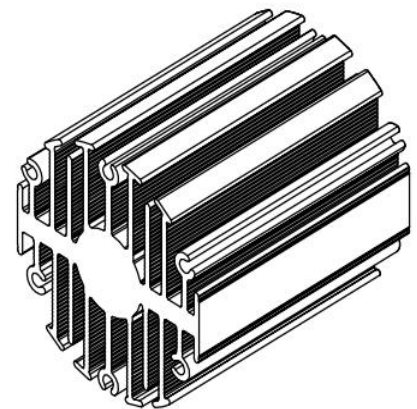
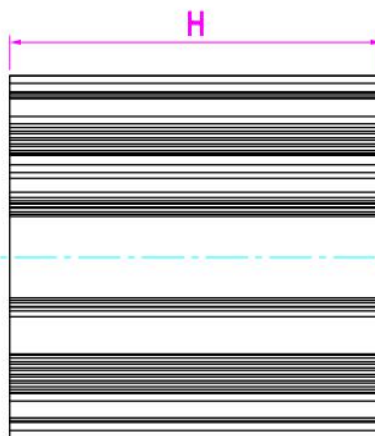
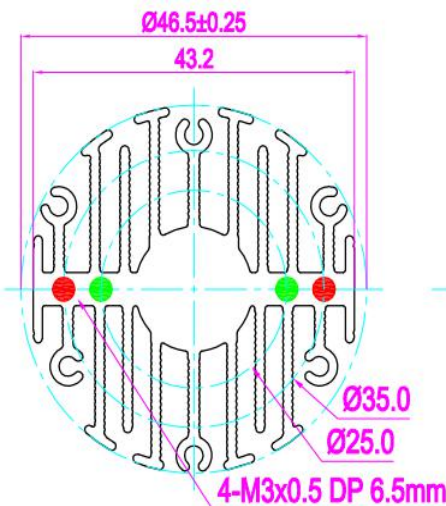
- 1 Height (mm)
- 2 Anodising Color
B-Black
C-Clear
Z-Custom
- 3 Mounting Options - see graphics for details Combinations available
Ex.order code - 12
means option 1 and 2 combined

Notes:

- Mentioned models are an extraction of full product range.
- For specific mechanical adaptations please contact MingfaTech.
- MingfaTech reserves the right to change products or specifications without prior notice.



MOUNTING OPTION	Module type	Holder NO.	THREAD	THREAD DEPTH	THREAD HOLE DISTANCE
1	LUGA C	BJB (47.319.6060.50)	M3	6.5mm	25.0mm/ 2-@180°
		AAG.STUCCHI (8100-G2)			
2	LUGA Shop 2014 PCB	BJB (47.319.2021.50)	M3	6.5mm	35.0mm/ 2-@180°
		AAG.STUCCHI (8101-G2)			
	LUGA Shop 2014	Vossloh-Schwabe			
	LUGA Shop 2014	/			



for

LED

eLED

eLED-VOS-4680 Vossloh-Schwabe Modular Passive tar LED Heat Sink Φ 46mm

The thermal data table

	 <i>eLED-4680</i>
Model No.	eLED-VOS-4680
Size	Φ46.5xH80mm
Material	AL6063-T5
Finish	Black Anodized
Weight(gr)	161.5
Thermal Wattage	13.0W
HeatsinkOs-a²	65150
Heat Sink T_{Rise} Above Ambient	3.8

Dissipated Power Pd(W)	Pd = Pe x (1-ηL)	Heat sink to ambient thermal resistance Rhs-amb (°C/W)	Heat sink toambienttemperature riseThs-amb (°C)
		eLED-VOS-4680	
3		4.67	14
6		4.67	28
9		4.33	39
12		4.00	48
15		3.73	56

