



for

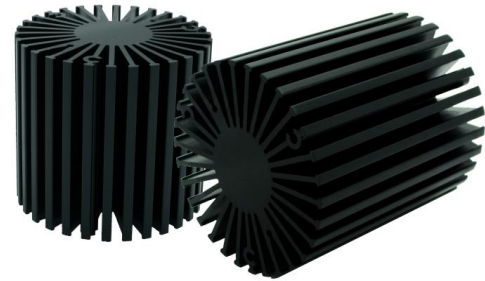
LED



SimpoLED SimpoLED-LG-5850 for LG Innotek Modular Passive LED Cooler Φ 58mm

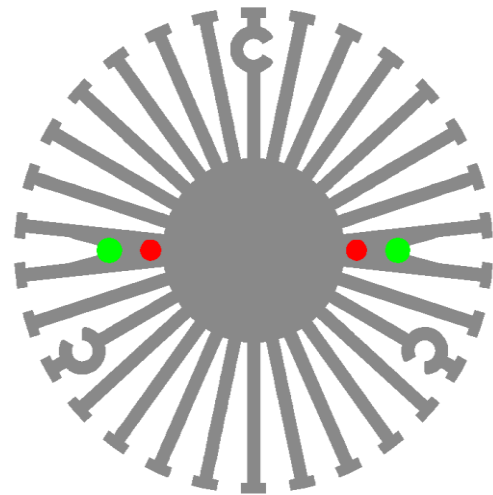
Features VS Benefits

- * The SimpoLED-LG-5850 LG Innotek Modular Passive LED Coolers are specifically designed for luminaires using the LG Innotek LED engines.
- * Mechanical compatibility with direct mounting of the LED engines to the LED cooler and thermal performance matching the lumen packages.
- * For spotlight and downlight designs from 500 to 1500 lumen.
- * Thermal resistance range R_{th} 3.7°C/W.
- * Modular design with mounting holes foreseen for direct mounting of LG Innotek LEMWM COB 10W/13W LED engines.
- * Diameter 58mm - standard height 50mm Other heights on request.
- * Extruded from highly conductive aluminum.



Zhaga LED engine and radiator assembly is a unified future international standardization

- * Below you find an overview of LG Innotek engines COB's and LED modules which standard fit on the SimpoLED coolers.
- * In this way mechanical after work and related costs can be avoided, and lighting designers can standardize their designs on a limited number of LED coolers.



LG Innotek LED Spotlight engines directly Mounting Options

LEMWM 10W COB Modules:

- LEMWM18580GGxxxx;
- LEMWM18580HGxxxx;
- LEMWM18580JGxxxx;
- LEMWM18580LGxxxx;
- LEMWM18580MGxxxx;

Zhaga Book3 Green indicator marks:

- AAG.STUCCHI holder:8600 ;
- BJB holder:47.319.2080.50 ;
- IDEAL holder:50-2100LG ;
- Direct mounting with machine screws M3x6mm;

Directly Mounting with machine screws M2.5x8mm;
Red indicator marks.

LEMWM 13W COB Modules:

- LEMWM18680HGxxxx;
- LEMWM18680JGxxxx;
- LEMWM18680LGxxxx;
- LEMWM18680MGxxxx;

Zhaga Book3 Green indicator marks:

- AAG.STUCCHI holder:8600 ;
- BJB holder:47.319.2080.50 ;
- IDEAL holder:50-2100LG ;
- Direct mounting with machine screws M3x6mm;

Directly Mounting with machine screws M2.5x8mm;
Red indicator marks.





SimpoleD **SimpoleD-LG-5850 for LG Innotek Modular Passive LED Cooler Ø58mm**

Mounting Options and Drawings & Dimensions

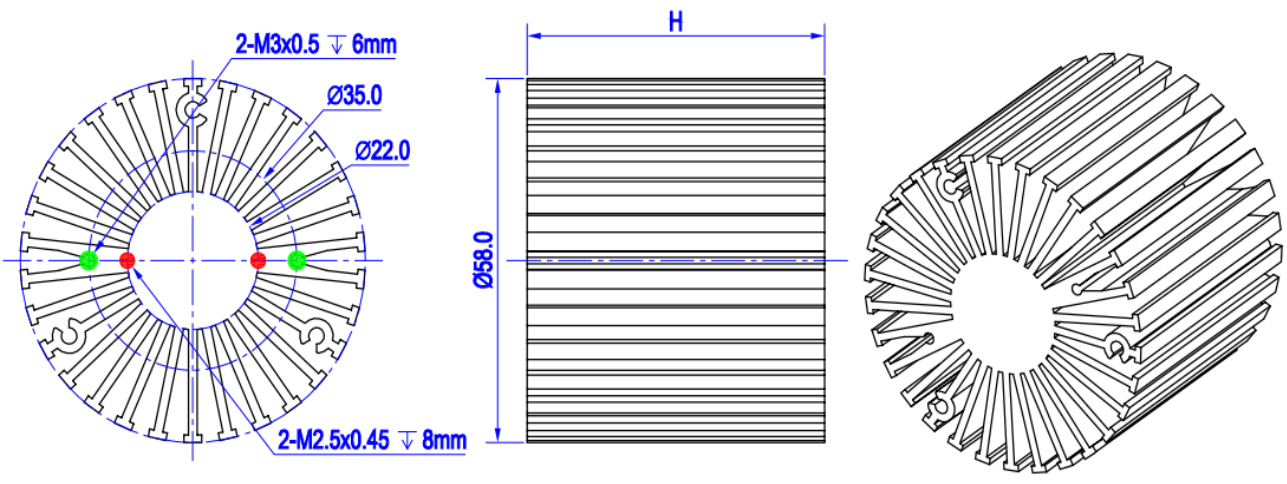
Example: SimpoleD-LG-5850-B-3
 Example: SimpoleD-LG-58 **1** - **2** - **3**

- 1** Height (mm)
- 2** Anodising Color
 B-Black
 C-Clear
 Z-Custom
- 3** Mounting Options - see graphics for details Combinations available
 Ex.order code - 12
 means option 1 and 2 combined

Notes:
 - Mentioned models are an extraction of full product range.
 - For specific mechanical adaptations please contact MingfaTech.
 - MingfaTech reserves the right to change products or specifications without prior notice.



MOUNTING OPTION	Module type	Holder NO.	THREAD	THREAD DEPTH	THREAD HOLE DISTANCE
1	LEMWM COB 10W/13W	/	M2.5	8mm	22.0mm/ 2-@180°
2	LEMWM COB 10W/13W	BJB: 47.319.2028.50	M3	6mm	35.0mm/ 2-@180°
		AAG.STUCCHI: 8600			
		IDEAL: 50-2100LG			



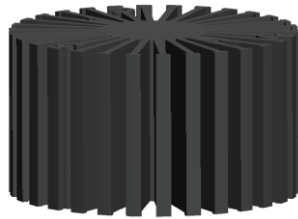
Tel:+86-769-39023131
 E-fax:+86-(020)28819702 ext:22122
 Email:sales@mingfatech.com
 Http://www.heatsinkled.com
 Http://www.mingfatech.com



SimpoleD

SimpoleD-LG-5850 for LG Innotek Modular Passive LED Cooler Φ 58mm

The thermal data table

	 <i>SimpoleD-5850</i>
Model No.	SimpoleD-LG-5850
Size	Φ58xH50mm
Material	AL6063-T5
Finish	Black Anodized
Weight(g)	174.0
Thermal Wattage	12.2W
HeatsinkOs-a²	65040
Heat Sink T_{Rise Above Ambient}	3.7

	Pd = Pe x (1-ηL)	Heat sink to ambient thermal resistance Rhs-amb (°C/W)	Heat sink to ambient temperature rise Ths-amb (°C)
		SimpoleD-LG-5850	SimpoleD-LG-5850
Dissipated Power Pd(W)	3.0	4.8	14.5
	6.0	4.2	25.0
	9.0	3.8	34.5
	12.0	3.7	43.0
	15.0	3.4	51.0
	18.0	3.2	58.0

