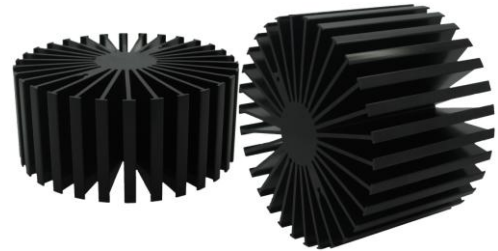


SimpoleD

SimpoleD-LUM-11780 for LumiLEDs Modular Passive LED Cooler Φ 117mm

Features VS Benefits

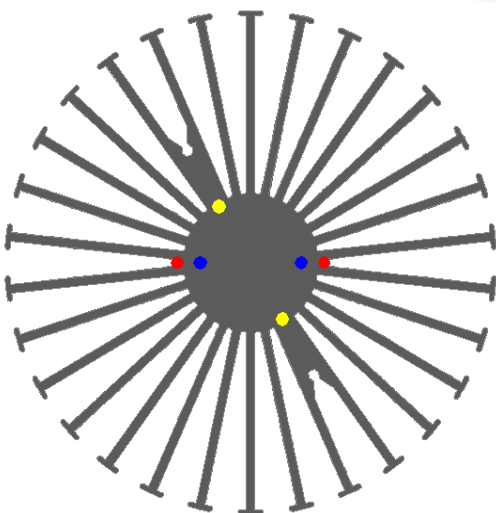
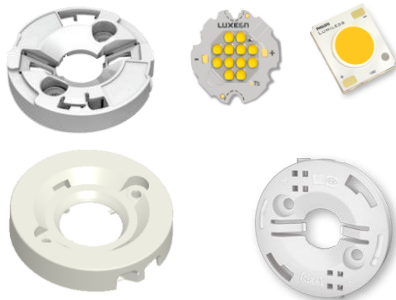
- * The SimpoleD-LUM-11780 LumiLEDs Modular Passive LED Coolers are specifically designed for luminaires using the LumiLEDs LED engines.
- * Mechanical compatibility with direct mounting of the LED engines to the LED cooler and thermal performance matching the lumen packages.
- * For spotlight and downlight designs from 3500 to 7000 lumen.
- * Thermal resistance range Rth 0.82°C/W.
- * Modular design with mounting holes foreseen for direct mounting of LUMILEDS Luxeon K and LueonCOB engines.
- * Diameter 117mm - standard height 80mm Other heights on request.
- * Extruded from highly conductive aluminum.



Zhaga LED engine and radiator assembly is a unified future international standardization

- * Below you find an overview of LumiLEDs engines COB's and LED modules which standard fit on the SimpoleD coolers.
- * In this way mechanical after work and related costs can be avoided, and lighting designers can standardize their designs on a limited number of LED coolers.

LUMILEDS



LUMILEDS LED Modules Mounting Options

LumiLEDs LuxeonCOB LED engines.

- LHC1-xxxx-1204;
- LHC1-xxxx-1205;
- LHC1-xxxx-1208;

With Zhaga Book3 LED holder, Red indicator marks;
TE holder:Z50 2213130-2;
BJB holder:47.319.2011.50;
A.A.G Stucchi holder:8301/G2;

- LHC1-xxxx-1211;

With Zhaga Book 3 LED holder, Red indicator marks;
BJB holder:47.319.2030.50;
A.A.G Stucchi holder:8102/G2;

For the Luxeon K 12-UP/16-UP LED engines.

- LXK7-PWxx-0012;
- LXK8-PWxx-0012;
- LXK9-PWxx-0012;
- LXK7-PWxx-0016;
- LXK8-PWxx-0016;
- LXK9-PWxx-0016;

NO'1:Zhaga Book3 Red indicator marks;
TE holder:Z50 2213134-2;
BJB holder:47.319.2070.50;
Red indicator marks:
Mounting with machine screws M3x8mm;
NO'2:without the holder.
Blue indicator marks:
Direct mounting with machine screws M3x8mm;

LUMILEDS LED Modules directly Mounting Options

For the Luxeon K 24-UP LED engines.

- LXK8-PWxx-0024;

Direct mounting with machine screws M3x6mm;
Yellow indicator marks.

SimpoleD

SimpoleD-LUM-11780 for LumiLEDs Modular Passive LED Cooler Φ 117mm

Mounting Options and Drawings & Dimensions

Example: SimpoleD-LUM-11780-B-3

Example: SimpoleD-LUM-117 **1** - **2** - **3**

1 Height (mm)

2 Anodising Color

B-Black

C-Clear

Z-Custom

3 Mounting Options - see graLUMcs for

details Combinations available

Ex.order code - 12

means option 1 and 2 combined

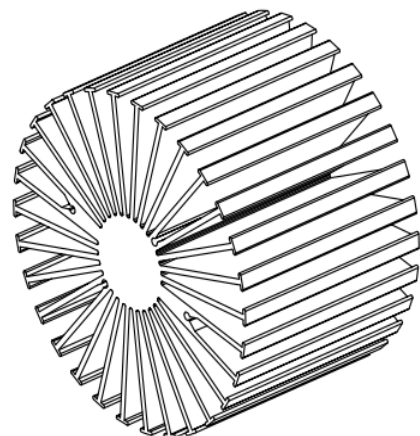
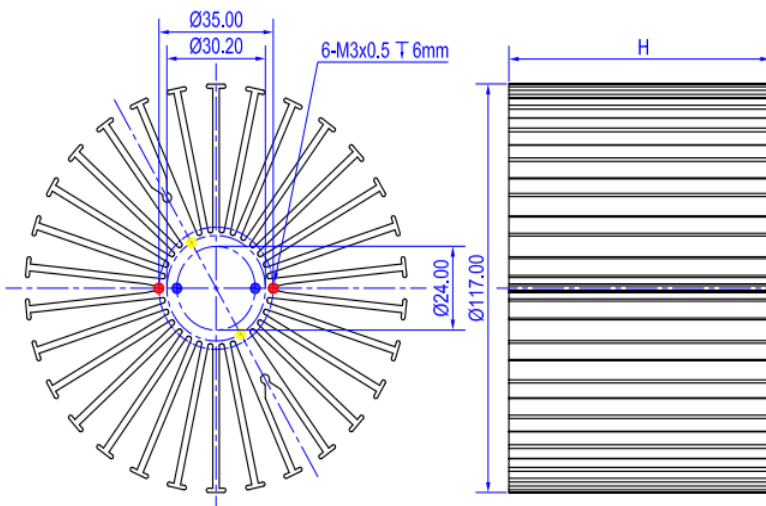
Notes:

- Mentioned models are an extraction of full product range.

- For specific mechanical adaptations please contact MingfaTech.

- MingfaTech reserves the right to change products or specifications without prior notice.

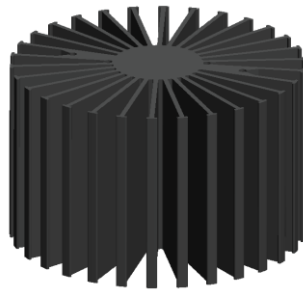
MOUNTING OPTION	Module type	Holder NO.	THREAD	THREAD DEPTH	THREAD HOLE DISTANCE
1	LuxeonCOB1204 LuxeonCOB1205 LuxeonCOB1208	/	M3	6mm	24.0mm/ @180°
2	Luxeon K 24-UP	/	M3	6mm	30.2mm/ @180°
3	Luxeon K 12-UP Luxeon K 16-UP	BJB (47.319.2070.50)	M3	8mm	35.0mm/ @180°
		Type (Z50 2213382-2)			
	LuxeonCOB1211	BJB (47.319.2030.50)			
		A.A.G Stucchi (8102/G2)			
	LuxeonCOB1204 LuxeonCOB1205 LuxeonCOB1208	Type (Z50 2213130-2)			
		BJB (47.319.2011.50)			
		A.A.G Stucchi (8301/G2)			



SimpoleD

SimpoleD-LUM-11780 for LumiLEDs Modular Passive LED Cooler $\Phi 117\text{mm}$

The thermal data table

	 <i>SimpoleD-11780</i>
Model No.	SimpoleD-LUM-11780
Size	$\Phi 117 \times H 80\text{mm}$
Material	AL6063-T5
Finish	Black Anodized
Weight(gr)	774.0
Thermal Wattage	60.7W
Heatsink Θ_{s-a^2}	231490
Heat Sink T Rise Above Ambient	0.82

Dissipated Power Pd(W)	Pd = Pe x (1- η L)	Heat sink to ambient thermal resistance Rhs-amb ($^{\circ}\text{C}/\text{W}$)	Heat sink to ambient temperature rise Ths-amb ($^{\circ}\text{C}$)
		SimpoleD-LUM-11780	SimpoleD-LUM-11780
15.0		1.01	15.2
30.0		0.88	26.4
45.0		0.85	38.3
60.0		0.82	49.2
75.0		0.75	56.3
90.0		0.68	61.2

