



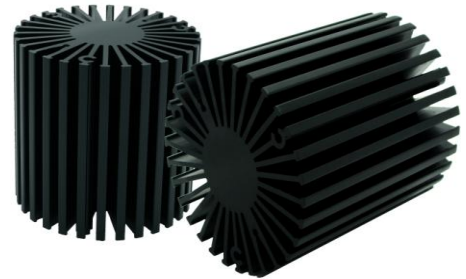
LED

SimpoleLED

SimpoleLED-PHI-5850 for Philips Modular Passive LED Cooler Φ 58mm

Features VS Benefits

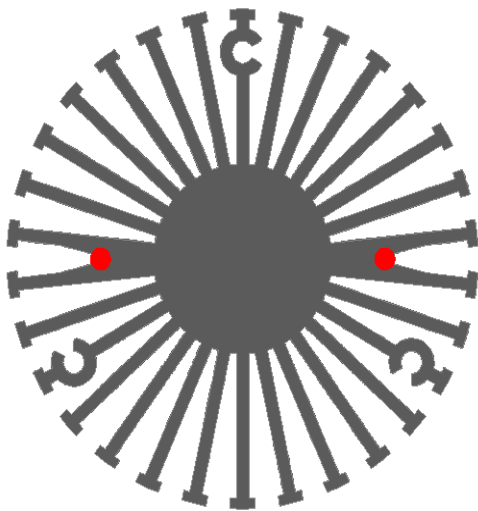
- * The SimpoLED-PHI-5850 Philips Modular Passive LED Coolers are specifically designed for luminaires using the Philips LED engines.
- * Mechanical compatibility with direct mounting of the LED engines to the LED cooler and thermal performance matching the lumen packages.
- * For spotlight and downlight designs from 400 to 1500 lumen.
- * Thermal resistance range Rth 3.7°C/W.
- * Modular design with mounting holes foreseen for direct mounting of Philips SLM engines.
- * Diameter 58mm - standard height 50mm Other heights on request.
- * Extruded from highly conductive aluminum.



Zhaga LED engine and radiator assembly is a unified future international standardization

- * Below you find an overview of philips engines COB's and LED modules which standard fit on the SimpoLED coolers.
- * In this way mechanical after work and related costs can be avoided, and lighting designers can standardize their designs on a limited number of LED coolers.

PHILIPS



Philips Spot Light LED engines for which Zhaga book3 LED Modules holders are available.

Philips Fortimo SLM LED modular Gen2:

Fortimo LED SLM 800LM 827 L13 G2;
 Fortimo LED SLM 800LM 830 L13 G2;
 Fortimo LED SLM 800LM 835 L13 G2;

Fortimo LED SLM 800LM 840 L13 G2;
 Fortimo LED SLM 800LM 927 L13 G2;
 Fortimo LED SLM 800LM 930 L13 G2;

Fortimo LED SLM 1100LM 827 L13 G2;
 Fortimo LED SLM 1100LM 830 L13 G2;
 Fortimo LED SLM 1100LM 835 L13 G2;
 Fortimo LED SLM 1100LM 840 L13 G2;

Philips Fortimo SLM LED modular Gen4:

Fortimo LED SLM 1100LM 827 L9 G4;
 Fortimo LED SLM 1100LM 830 L9 G4;
 Fortimo LED SLM 1100LM 840 L9 G4;

Fortimo LED SLM 1100LM 827 L13 G4;
 Fortimo LED SLM 1100LM 830 L13 G4;
 Fortimo LED SLM 1100LM 840 L13 G4;

Red indicator marks:

Direct mounting with machine screws M3x8mm;



LED



SimpoleD

SimpoleD-PHI-5850 for Philips Modular Passive LED Cooler Φ 58mm

Mounting Options and Drawings & Dimensions

Example: SimpoleD-PHI-5850-B-3

Example: SimpoleD-PHI-58 **1** - **2** - **3**

1 Height (mm)

2 Anodising Color

B-Black

C-Clear

Z-Custom

3 Mounting Options - see graphics for details Combinations available

Ex.order code - 12

means option 1 and 2 combined

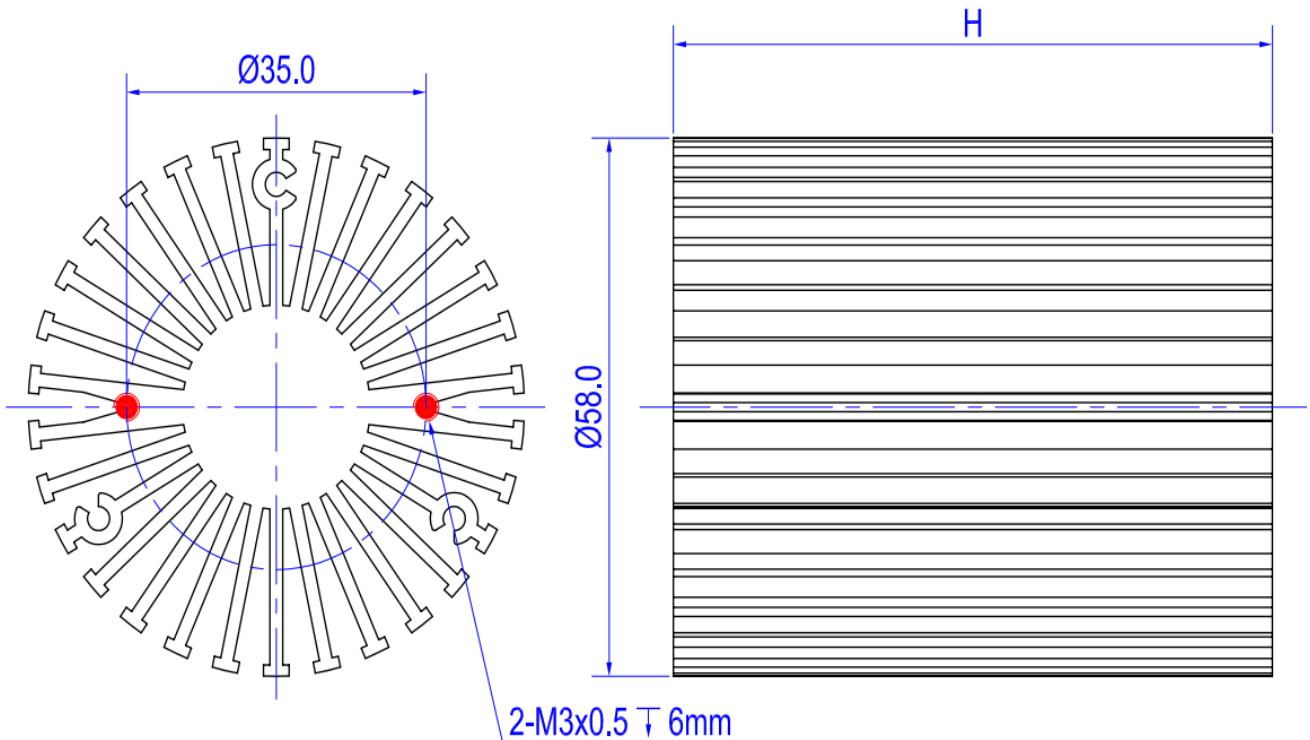
Notes:

- Mentioned models are an extraction of full product range.
- For specific mechanical adaptations please contact MingfaTech.
- MingfaTech reserves the right to change products or specifications without prior notice.

PHILIPS



MOUNTING OPTION	Module type	Holder NO.	THREAD	THREAD DEPTH	THREAD HOLE DISTANCE
1	Fortimo SLM	/	M3	8mm	35.0mm/ 2-@180°



SimpoleD

SimpoleD-PHI-5850 for Philips Modular Passive LED Cooler Φ 58mm

The thermal data table

	 <i>SimpoleD-5850</i>
Model No.	SimpoleD-PHI-5850
Size	Φ58xH50mm
Material	AL6063-T5
Finish	Black Anodized
Weight(gr)	174.0
Thermal Wattage	12.2W
HeatsinkΘs-a²	65040
Heat Sink T Rise Above Ambient	3.7

Dissipated Power Pd(W)	Pd = Pe x (1- η L)	Heat sink to ambient thermal resistance Rhs-amb ($^{\circ}$ C/W)	Heat sink to ambient temperature rise Ths-amb ($^{\circ}$ C)
		SimpoleD-PHI-5850	SimpoleD-PHI-5850
3.0		4.83	14.5
6.0		4.16	25.0
9.0		3.82	34.4
12.0		3.58	43.0
15.0		3.40	51.0

