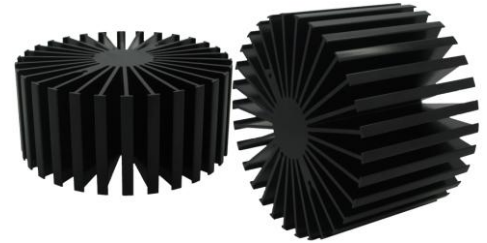


## SimpoLED

### SimpoLED-LUN-11750 for Luminus Modular Passive LED Cooler $\Phi$ 117mm

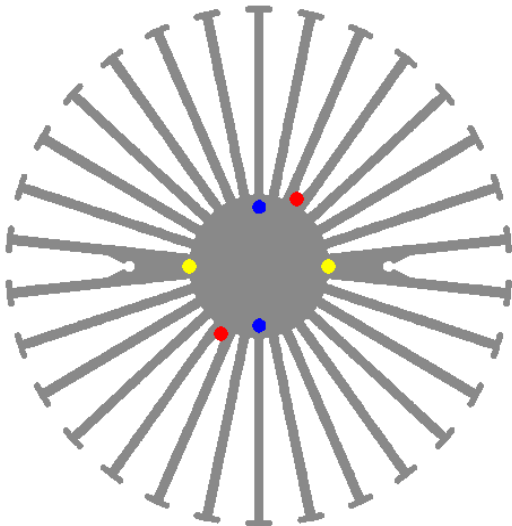
#### Features VS Benefits

- \* The SimpoLED-LUN-11750 Luminus Modular Passive LED Coolers are specifically designed for luminaires using the Luminus LED engines.
- \* Mechanical compatibility with direct mounting of the LED engines to the LED cooler and thermal performance matching the lumen packages.
- \* For spotlight and downlight designs from 1700 to 7000 lumen.
- \* Thermal resistance range  $R_{th}$  1.0°C/W.
- \* Modular design with mounting holes foreseen for direct mounting of Luminus COB LED engines.
- \* Diameter 117mm - standard height 50mm Other heights on request.
- \* Extruded from highly conductive aluminum.



#### Luminus LED engine and radiator assembly directly Mounting Options

- \* Below you find an overview of Luminus COB's and LED modules which standard fit on the SimpoLED coolers.
- \* In this way mechanical after work and related costs can be avoided, and lighting designers can standardize their designs on a limited number of LED coolers.



#### Luminus LED engines Mounting Options

##### CXM-14 COB Arrays LED Modules names:

CXM-14-27-XX-36-AC00-XX-X;  
 CXM-14-30-XX-36-AC00-XX-X;  
 CXM-14-35-XX-36-AC00-XX-X;  
 CXM-14-40-XX-36-AC00-XX-X;  
 CXM-14-50-XX-36-AC00-XX-X;  
 CXM-14-65-XX-36-AC00-XX-X;

##### CHM-14 COB Arrays LED Modules names:

CHM-14-27-XX-36-AC00-XX-X;  
 CHM-14-30-XX-36-AC00-XX-X;  
 CHM-14-35-XX-36-AC00-XX-X;  
 CHM-14-40-XX-36-AC00-XX-X;  
 CHM-14-50-XX-36-AC00-XX-X;  
 CHM-14-65-XX-36-AC00-XX-X;

##### With Zhaga Book 3 for red indicator marks:

BJB Holder:47.319.2021.50;  
 AAG.STUCCHI holder:8101-G2;  
 Mounting with machine screws M3x6mm;  
 Without LED holders for blue indicator marks.  
 Direct mounting with machine screws M3x6mm;

##### CXM-22 COB Arrays LED Modules names:

CXM-22-27-XX-36-AC00-XX-X;  
 CXM-22-30-XX-36-AC00-XX-X;  
 CXM-22-35-XX-36-AC00-XX-X;  
 CXM-22-40-XX-36-AC00-XX-X;  
 CXM-22-50-XX-36-AC00-XX-X;  
 CXM-22-65-XX-36-AC00-XX-X;

##### With Zhaga Book 3 for red indicator marks:

BJB Holder:47.319.2030.50;  
 AAG.STUCCHI holder:8102-G2;  
 Direct mounting with machine screws M3x6mm;  
 Without LED holders for yellow indicator marks.  
 Direct mounting with machine screws M3x6mm;



*SimpoleD*

SimpoleD-LUN-11750 for Luminus Modular Passive LED Cooler  $\Phi$ 117mm

**Mounting Options and Drawings & Dimensions**

Example: SimpoleD-LUN-11750-B-3

Example: SimpoleD-LUN-117 **1** - **2** - **3**

**1** Height (mm)

**2** Anodising Color

B-Black

C-Clear

Z-Custom

**3** Mounting Options - see graphics for details Combinations available

Ex.order code - 12

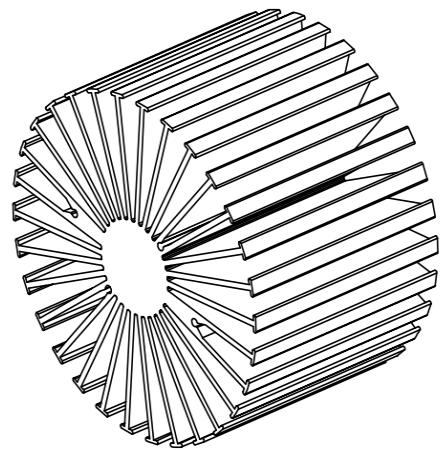
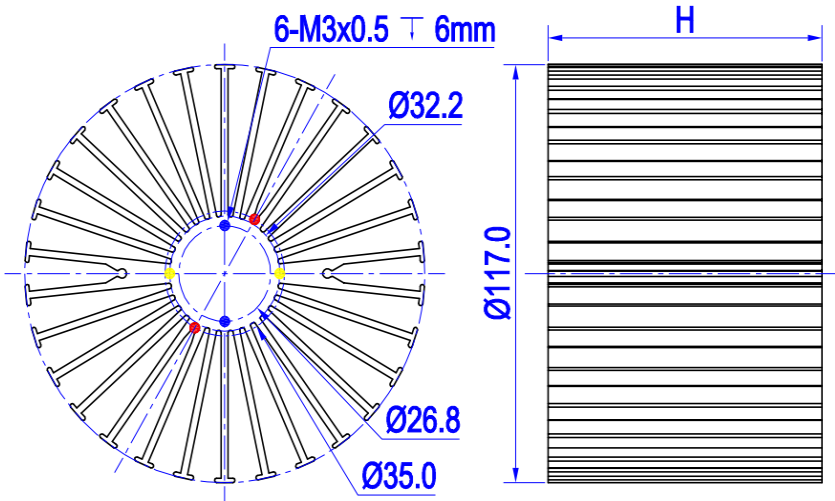
means option 1 and 2 combined

Notes:

- Mentioned models are an extraction of full product range.
- For specific mechanical adaptations please contact MingfaTech.
- MingfaTech reserves the right to change products or specifications without prior notice.



MOUNTING OPTION	Module type	Holder NO.	THREAD	THREAD DEPTH	THREAD HOLE DISTANCE
1	CXM-14 CHM-14	/	M3	6mm	26.8mm/ 2-@180°
2	CXM-22	/	M3	6mm	32.2mm/ 2-@180°
3	CXM-14 CHM-14	AAG.STUCCHI 8101-G2	M3	6mm	35.0mm/ 2-@180°
		BJB 47.313.2021.50			
	CXM-22	AAG.STUCCHI 8102-G2			
		BJB 47.313.2030.50			



## SimpoleD

SimpoleD-LUN-11750 for Luminus Modular Passive LED Cooler  $\Phi$ 117mm

### The thermal data table

	 <i>SimpoleD-11750</i>
<b>Model No.</b>	<b>SimpoleD-LUN-11750</b>
<b>Size</b>	<b><math>\Phi</math>117xH50mm</b>
<b>Material</b>	<b>AL6063-T5</b>
<b>Finish</b>	<b>Black Anodized</b>
<b>Weight(gr)</b>	<b>484.0</b>
<b>Thermal Wattage</b>	<b>49.2W</b>
<b>Heatsink<math>\Theta</math>s-a<sup>2</sup></b>	<b>147370</b>
<b>Heat Sink T<sub>Rise Above Ambient</sub></b>	<b>1.0</b>

Dissipated Power Pd(W)	Pd = Pe x (1- $\eta$ L)	Heat sink to ambient thermal resistance Rhs-amb (°C/W)	Heat sink to ambient temperature rise Ths-amb (°C)
		SimpoleD-LUN-11750	SimpoleD-LUN-11750
8.0		1.35	10.8
16.0		1.30	20.8
24.0		1.25	30.0
32.0		1.15	36.8
40.0		1.10	44.0
48.0		0.97	46.6
56.0		0.88	49.3

