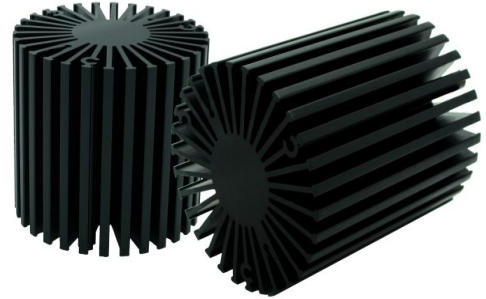


SimpoleD

SimpoleD-SEO-5870 for Seoul Modular Passive LED Cooler Φ 58mm

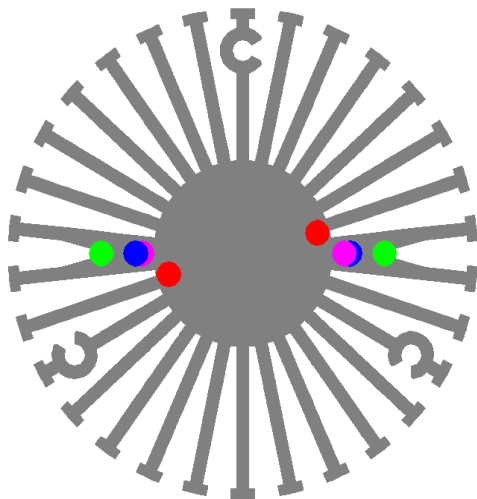
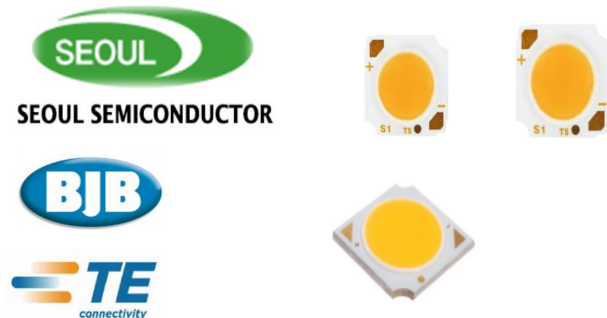
Features VS Benefits

- * The SimpoleD-SEO-5870 Seoul Modular Passive LED Coolers are specifically designed for luminaires using the Seoul LED engines.
- * Mechanical compatibility with direct mounting of the LED engines to the LED cooler and thermal performance matching the lumen packages.
- * For spotlight and downlight designs from 600 to 2100 lumen.
- * Thermal resistance range R_{th} 2.9°C/W.
- * Modular design with mounting holes foreseen for direct mounting of Seoul ZC4 Series, ZC6 Series, ZC12 Series and ZC18 Series COB engines.
- * Diameter 58mm - standard height 70mm Other heights on request.
- * Extruded from highly conductive aluminum.



Zhaga LED engine and radiator assembly is a unified future international standardization

- * Below you find an overview of Seoul COB's and LED modules which standard fit on the SimpoleD coolers.
- * In this way mechanical after work and related costs can be avoided, and lighting designers can standardize their designs on a limited number of LED coolers.



Seoul COB engines Mounting Options

ZC4 Series COB Modules:

SDW01F1B;
SDW81F1B;

ZC6 Series COB Modules:

SDW01F1C;
SDW81F1C;
SDW91F1C;

Zhaga Book 11 hoder;
Pink indicator marks
BJB Spotlight connector 47.319.6060.50
Mounting with 2 screws M3x8mm.

Direct mounting with 2 screws M3x6mm.
Red indicator marks

ZC12 Series COB Modules name:

SDW02F1C;
SDW82F1C;
SDW92F1C;

ZC18 Series COB Modules name:

SDW03F1C;
SDW83F1C;
SDW93F1C;

Zhaga Book3 Holes ,
BJB Semiconductor Spotlight connector 47.319.2021.50

TE Connectivity Lumawise type Z502213254-1
TE Connectivity Lumawise type Z502213254-2

Green indicator marks
Mounting with 2 screws M3x8mm.

Direct mounting with 2 screws M3x6mm.
Blue indicator marks



LED



SimpoLED

SimpoLED-SEO-5870 for Seoul Modular Passive LED Cooler Φ 58mm

Mounting Options and Drawings & Dimensions

Example: SimpoLED-SEO-5870-B-3

Example: SimpoLED-SEO-58 **1** - **2** - **3**

- 1** Height (mm)
- 2** Anodising Color
B-Black
C-Clear
Z-Custom
- 3** Mounting Options - see graphics for details Combinations available
Ex.order code - 12
means option 1 and 2 combined

Notes:

- Mentioned models are an extraction of full product range.
- For specific mechanical adaptations please contact MingfaTech.
- MingfaTech reserves the right to change products or specifications without prior notice.

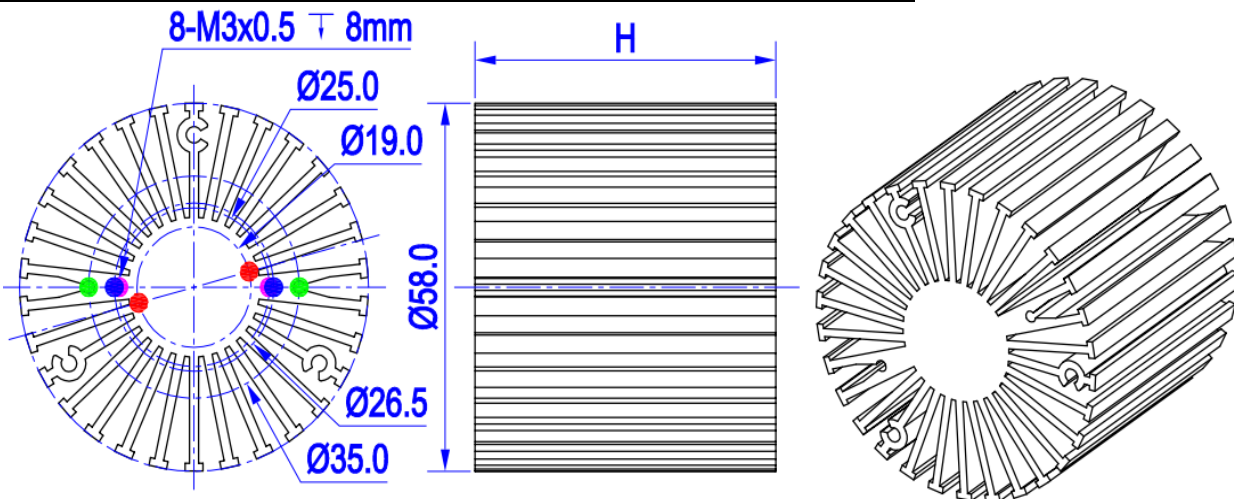


SEOUL SEMICONDUCTOR



Note! : option 2 and option 3 can't not be combined .

| MOUNTING OPTION | Module type | Holder NO. | THREAD | THREAD DEPTH | THREAD HOLE DISTANCE |
|-----------------|-------------------------------------------|---------------------|--------|--------------|--------------------------------|
| 1 | ZC4 Series ZC6 Series | / | M3 | 6mm | 19mm/ 2-@180° |
| 2 | ZC4 Series ZC6 Series | BJB:47.319.6060.50; | M3 | 6mm | 25mm/ 2-@180° Zhaga Book 11 |
| 3 | ZC12 Series ZC18 Series | / | M3 | 6mm | 26.8mm/ 2-@180° |
| 4 | ZC12 Series ZC18 Series | BJB:47.319.2040.50; | M3 | 6mm | 35mm/ 2-@180° Zhaga Book3 |
| | ZC25 Series ZC40 Series ZC60 Series | BJB: 47.319.2030.50 | M3 | 6mm | |



Tel:+86-769-39023131
E-fax:+86-(020)28819702 ext:22122
Email:sales@mingfatech.com
Http://www.heatsinkled.com
Http://www.mingfatech.com



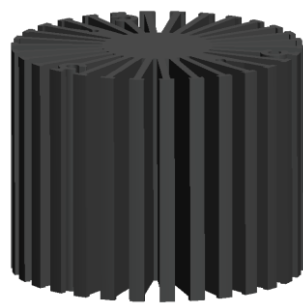
for

LED

SimpoleD

SimpoleD-SEO-5870 for Seoul Modular Passive LED Cooler Φ 58mm

The thermal data table

| | |
|---------------------------------------|------------------------------------------------------------------------------------------------------------|
| |  <i>SimpoleD-5870</i> |
| Model No. | SimpoleD-SEO-5870 |
| Size | Φ 58xH70mm |
| Material | AL6063-T5 |
| Finish | Black Anodized |
| Weight(g) | 244.0 |
| Thermal Wattage | 15.5W |
| HeatsinkOs-a² | 90020 |
| Heat Sink T Rise Above Ambient | 2.9 |

| Dissipated Power Pd(W) | Pd = Pe x (1- η) L | Heat sink to ambient thermal resistance Rhs-amb (°C/W) | Heat sink to ambient temperature rise Ths-amb (°C) |
|------------------------|-----------------------------|--------------------------------------------------------|----------------------------------------------------|
| | | SimpoleD-SEO-5870 | SimpoleD-SEO-5870 |
| 4.0 | | 4.00 | 16.0 |
| 8.0 | | 3.50 | 28.0 |
| 12.0 | | 3.12 | 37.5 |
| 16.0 | | 2.90 | 46.5 |
| 20.0 | | 2.76 | 55.3 |

