

SimpoLED

SimpoLED-BRI-5870 for Bridgelux Modular Passive LED Cooler Φ 58mm

Features VS Benefits

- * The SimpoLED-5870 Bridgelux Modular Passive LED Coolers are specifically designed for luminaires using the Bridgelux LED engines.
- * Mechanical compatibility with direct mounting of the LED engines to the LED cooler and thermal performance matching the lumen packages.
- * For spotlight and downlight designs from 550 to 1800 lumen.
- * Thermal resistance range R_{th} 2.9°C/W.
- * Modular design with mounting holes foreseen for direct mounting of Bridgelux ES Star Array V10 Array and Vero 10 Array COB engines.
- * Diameter 58mm - standard height 70mm Other heights on request.
- * Extruded from highly conductive aluminum.

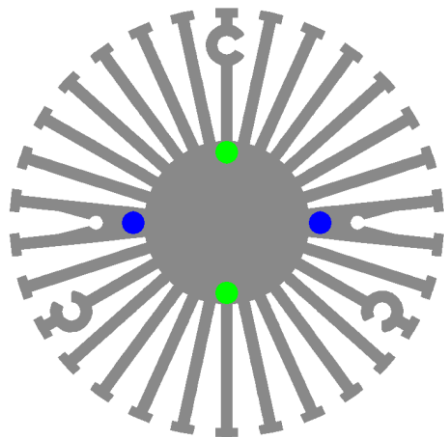


Zhaga LED engine and radiator assembly is a unified future international standardization

- * Below you find an overview of Bridgelux COB's and LED modules which standard fit on the SimpoLED coolers.
- * In this way mechanical after work and related costs can be avoided, and lighting designers can standardize their designs on a limited number of LED coolers.

bridgelux

BJB



Bridgelux LED Modules directly Mounting Options

ES Star Array Series LED engines: BJB holder(47.313.1001.80) ro don't use holders

BXRA-27E0540-A-03;	BXRA-30G0740-A-03;
BXRA-27G0540-A-03;	BXRA-40E0600-A-03;
BXRA-27E0740-A-03;	BXRA-40E0810-A-03;
BXRA-27G0740-A-03;	BXRA-50C1000-A-03;
BXRA-30E0540-A-03;	BXRA-56C0700-A-03;
BXRA-30G0540-A-03;	BXRA-56C1000-A-03;
BXRA-30E0740-A-03;	

Mounting with machine screws M3x8mm;
Green indicator marks.

V10 Array Series LED engines: BJB holder(47.313.6101.50)

BXRE-27E1000-B-03;	BXRE-40E1000-B-03;
BXRE-27G1000-B-03;	BXRE-50C1000-B-04;
BXRE-30E1000-B-03;	BXRE-50E1000-B-03;
BXRE-30G1000-B-03;	

Mounting with machine screws M3x8mm;
Blue indicator marks.

Vero 10 Array Series LED engines:

BXRC-27E1000-B-xx ;	BXRC-40E1000-B-xx ;
BXRC-27G1000-B-xx ;	BXRC-40G1000-B-xx ;
BXRC-30E1000-B-xx ;	BXRC-50C1000-B-xx ;
BXRC-30G1000-B-xx ;	BXRC-50E1000-B-xx ;
BXRC-35E1000-B-xx ;	BXRC-50G1000-B-xx ;

Direct mounting with machine screws M3x8mm;
Green indicator marks.



for

LED



SimpLED

SimpLED-BRI-5870 for Bridgelux Modular Passive LED Cooler Φ 58mm

Mounting Options and Drawings & Dimensions

Example: SimpLED-BRI-5870-B-3

Example: SimpLED-BRI-58 **1** - **2** - **3**

1 Height (mm)

2 Anodising Color

B-Black

C-Clear

Z-Custom

3 Mounting Options - see graphics for details Combinations available

Ex.order code - 12

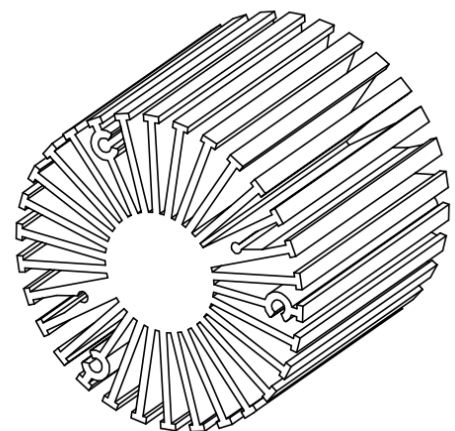
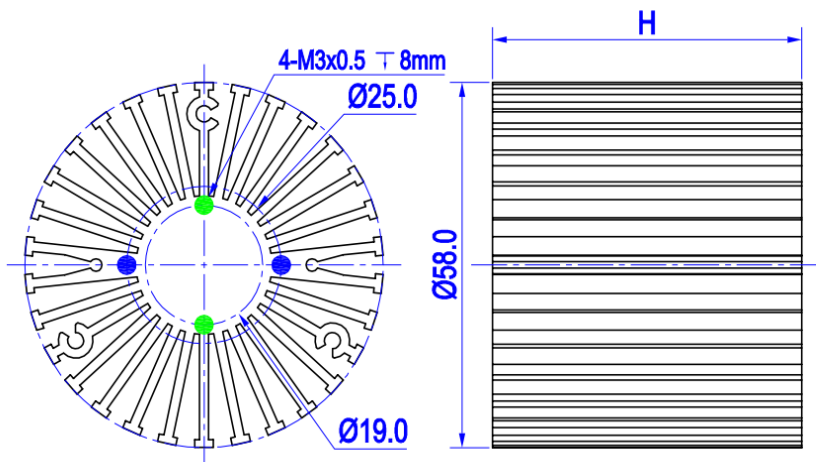
means option 1 and 2 combined

Notes:

- Mentioned models are an extraction of full product range.
- For specific mechanical adaptations please contact MingfaTech.
- MingfaTech reserves the right to change products or specifications without prior notice.



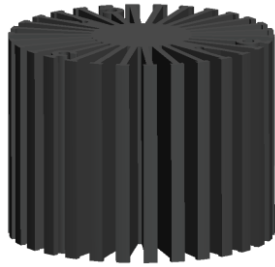
MOUNTING OPTION	Module type	Holder NO.	THREAD	THREAD DEPTH	THREAD HOLE DISTANCE
1	Vero-10 ES-Star Array	/	M3	8mm	19.0mm/ 2-@180°
	ES-Star Array	BJB 47.313.1001.80			
2	V10-Array	BJB 47.319.6101.50	M3	8mm	25.0mm/ 2-@180°



SimpLED

SimpLED-BRI-5870 for Bridgelux Modular Passive LED Cooler Φ 58mm

The thermal data table

	 <i>SimpLED-5870</i>
Model No.	SimpLED-BRI-5870
Size	Φ58xH70mm
Material	AL 6063-T5
Finish	Black Anodized
Weight(g)	244.0
Thermal Wattage	15.5W
HeatsinkOs-a²	90020
Heat Sink T Rise Above Ambient	2.9

Dissipated Power Pd(W)	Pd = Pe x (1- η L)	Heat sink to ambient thermal resistance Rhs-amb (°C/W)	Heat sink to ambient temperature rise Ths-amb (°C)
		SimpLED-BRI-5870	SimpLED-BRI-5870
4		4.00	16.0
8		3.50	28.0
12		3.12	37.5
16		2.90	46.5
20		2.76	55.3

