



# LED

*GooLED*

## GooLED-BRI-8665 Pin Fin LED Heat Sink $\Phi$ 86.5mm for Bridgelux

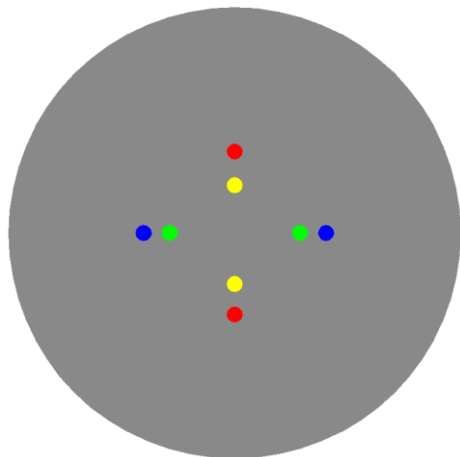
### Features VS Benefits

- \* The GooLED-BRI-8665 Bridgelux Pin Fin LED Heat Sinks are specifically designed for luminaires using the Bridgelux LED engines.
- \* Mechanical compatibility with direct mounting of the LED engines to the LED cooler and thermal performance matching the lumen packages.
- \* For spotlight and downlight designs from 1,800 to 5,200 lumen.
- \* Thermal resistance range  $R_{th}$  1.56°C/W.
- \* Modular design with mounting holes foreseen for direct mounting of Bridgelux V Series™, Vero® SE Series, Vero® Series, H Series™ and Vesta™ Series LED engines.
- \* Diameter 86.5mm - standard height 65mm Other heights on request.
- \* Forged from highly conductive aluminum.



### Zhaga LED engine and radiator assembly is a unified future international standardization

- \* Below you find an overview of Bridgelux COB's and LED modules which standard fit on the Pin Fin LED Heat Sinks.
- \* In this way mechanical after work and related costs can be avoided, and lighting designers can standardize their designs on a limited number of LED Pin Fin LED Heat Sink.



### Bridgelux LED Modules directly Mounting Options

#### Bridgelux V13,V15,V18 LED Array Series:

- |                    |                    |
|--------------------|--------------------|
| BXRE-20xxxxx-x-xx; | BXRE-40xxxxx-x-xx; |
| BXRE-27xxxxx-x-xx; | BXRE-50xxxxx-x-xx; |
| BXRE-30xxxxx-x-xx; | BXRE-57xxxxx-x-xx; |
| BXRE-35xxxxx-x-xx; | BXRE-65xxxxx-x-xx; |

With the Zhaga Book 3 Holders:

BJB holder:47.319.2025.50; 47.319.2030.50;

Direct mounting with machine screws M3x6.5mm, Blue indicator marks.

With the LEDiL products:

Olivia series: FN14637-S;

Ronda series: FN15xxx-xx;

### Bridgelux Vero® Series Vero 10, Vero 13 LED Array and Vero® SE Series

#### Vero 10 SE, Vero 13 SE LED Array

- |                    |                    |
|--------------------|--------------------|
| BXRC-27xxxxx-x-xx; | BXRC-50xxxxx-x-xx; |
| BXRC-30xxxxx-x-xx; | BXRC-57xxxxx-x-xx; |
| BXRC-35xxxxx-x-xx; | BXRC-65xxxxx-x-xx; |
| BXRC-40xxxxx-x-xx; |                    |

With the Bridgelux Holder:

Direct mounting with machine screws M3x6.5mm.

Vero 10 for the yellow indicator mark, Vero 13 for the red indicator mark.

With the LEDiL products:

Olivia series: FN14637-S; FN14828-M;

Ronda series: FN15xxx-xx;

### Bridgelux® H Series™ H6, H9 LED Array:

- |                    |                    |
|--------------------|--------------------|
| BXRH-27xxxxx-x-xx; | BXRH-35xxxxx-x-xx; |
| BXRH-30xxxxx-x-xx; | BXRH-40xxxxx-x-xx; |

With the Zhaga Book 11 Holders:

BJB holder:47.319.6120.50; 47.319.6104.50;

Direct mounting with machine screws M3x6.5mm, Green indicator marks.

With the LEDiL products: Ronda series: FN15xxx-xx;

### Bridgelux® Vesta™ Series Dim-To-Warm 9mm Array

BXRV-DR-1830H-1000-x-13;

With the Zhaga Book 11 Holders:

BJB holder:47.319.6180.50;

Direct mounting with machine screws M3x6.5mm, Green indicator marks.

Tel:+86-769-39023131

Fax:+86-(020)28819702 ext:22122

Email:sales@mingfatech.com

Http://www.heatsinkled.com

Http://www.mingfatech.com





*GooLED*

**GooLED-BRI-8665 Pin Fin LED Heat Sink  $\Phi$ 86.5mm for Bridgelux**

### Mounting Options and Drawings & Dimensions

Example:GooLED-BRI-8665-B-1,2

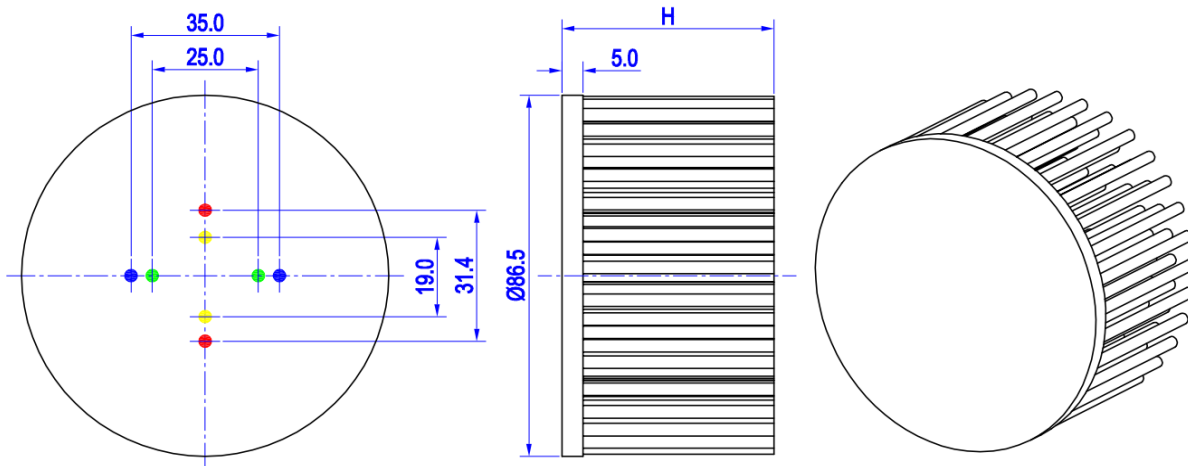
Example:GooLED-BRI-86 **1** - **2** - **3**

- 1** Height (mm)
- 2** Anodising Color
  - B-Black
  - C-Clear
  - Z-Custom
- 3** Mounting Options - see graphics for details Combinations available  
Ex.order code - 12  
means option 1 and 2 combined

**Notes:**

- Mentioned models are an extraction of full product range.
- For specific mechanical adaptations please contact MingfaTech.
- MingfaTech reserves the right to change products or specifications without prior notice.

MOUNTING OPTION	Module type	Holder NO.	LEDiL products		THREAD	THREAD DEPTH	THREAD HOLE DISTANCE
			Olivia series	Ronda series			
1	Vero 10 Vero SE 10	Bridgelux	/	/	M3	6.5mm	19.0mm/ 2-@180°
2	Vesta™ Series 9mm	BJB Holder 47.319.6180.50	/	/	M3	6.5mm	25.0mm/ 2-@180° (Zhaga book 11)
	H6	BJB Holder 47.319.6120.50	/	/			
	H9	BJB Holder 47.319.6104.50	/	FN15xxx-xx;			
3	Vero 13 Vero SE 13	Bridgelux	FN14637-S; FN14828-M;	FN15xxx-xx;	M3	6.5mm	31.4mm/ 2-@180°
4	V15, V18	BJB Holder 47.319.2224.50	FN14637-S	/	M3	6.5mm	35.0mm/ 2-@180° (Zhaga book3)
	V13	BJB Holder 47.319.2025.50		FN15xxx-xx;			



## GooLED

### GooLED-BRI-8665 Pin Fin LED Heat Sink $\Phi 86.5\text{mm}$ for Bridgelux

#### The product data table

	<b>Model No.</b>	GooLED-BRI-8665
	<b>Heatsink Size</b>	$\Phi 86.5 \times H65\text{mm}$
	<b>Heatsink Material</b>	AL1070
	<b>Finish</b>	Black Anodized
	<b>Weight (g)</b>	293.0
	<b>Dissipated power (T<sub>hs-amb</sub>,50°C)</b>	32.0 (W)
	<b>Cooling surface area (mm<sup>2</sup>)</b>	95583
	<b>Thermal Resistance (R<sub>hs-amb</sub>)</b>	1.56 (°C/W)

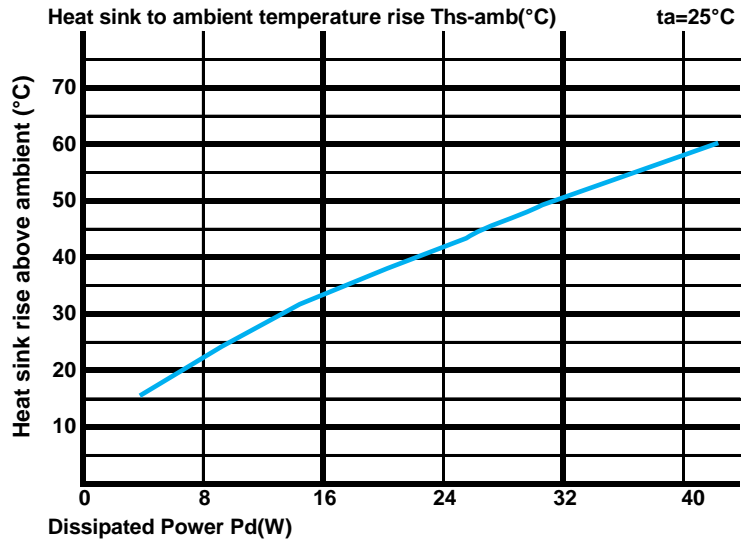
#### The thermal data table

\* Please be aware the dissipated power Pd is not the same as the electrical power Pe of a LED module.

\*To calculate the dissipated power please use the following formula:  $P_d = P_e \times (1 - \eta_L)$ .

Pd - Dissipated power ; Pe - Electrical power ;  $\eta_L$  = Light efficiency of the LED module;

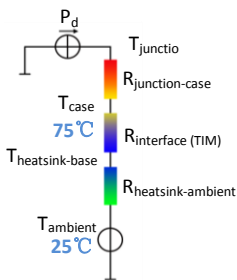
Dissipated Power Pd(W)	Pd = Pe x (1- $\eta_L$ )	Heat sink to ambient thermal resistance R <sub>hs-amb</sub> (°C/W)	Heat sink to ambient temperature rise T <sub>hs-amb</sub> (°C)
		GooLED-BRI-8665	
8.0		2.75	22.0
16.0		2.13	34.0
24.0		1.75	42.0
32.0		1.56	50.0
40.0		1.45	58.0



\*The aluminum substrate side of the package outer shell is thermally connected to the heat sink via TIM (Thermal interface material).

MingFa recommends the use of a high thermal conductive interface between the LED module and the LED cooler.

Either thermal grease, A thermal pad or a phase change thermal pad thickness 0.1-0.15mm is recommended.



\*Thermal resistance is a heat property and a measurement of a temperature difference by which an object or material resists a heat flow.

Geometric shapes are different, the thermal resistance is different. Formula:  $\theta = (T_{hs} - T_a) / P_d$

$\theta$  - Thermal Resistance [°C/W] ; T<sub>hs</sub> - Heatsink temperature ; T<sub>a</sub> - Ambient temperature ;

\*The thermal resistance between the junction section of the light-emitting diode and the aluminum substrate side of the package outer shell is R<sub>junction-case</sub>, the thermal resistance of the TIM outside the package is R<sub>interface (TIM)</sub> [°C/W], the thermal resistance with the heat sink is R<sub>heatsink-ambient</sub> [°C/W], and the ambient temperature is T<sub>ambient</sub> [°C].

\*Thermal resistances outside the package R<sub>interface (TIM)</sub> and R<sub>heatsink-ambient</sub> can be integrated into the thermal resistance R<sub>case-ambient</sub> at this point. Thus, the following formula is also used:

$$T_{\text{junction}} = (R_{\text{junction-case}} + R_{\text{case-ambient}}) \cdot P_d + T_{\text{ambient}}$$