



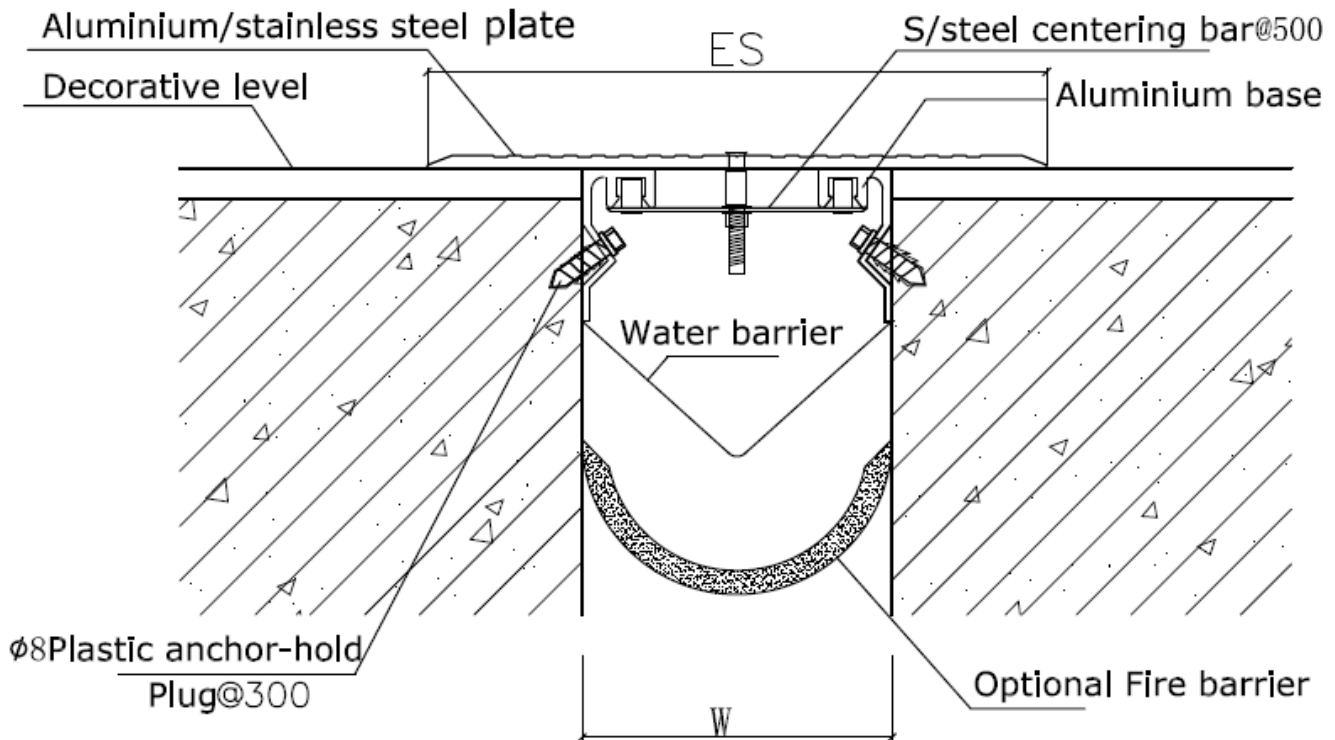
# MEISHUO Building Materials CO.,Ltd

Office: No.2208, Huaqiao Square, Pukou district, Nanjing,China

Tel: 0086-025-58196288 Fax:0086-025-58196399

Website: [www.msbox.com](http://www.msbox.com) E-mail:sariel@msbox.com

## MSDGA EXPANSION JOINT SPEC DATA





# MEISHUO Building Materials CO.,Ltd

Office: No.2208, Huaqiao Square, Pukou district, Nanjing,China

Tel: 0086-025-58196288 Fax:0086-025-58196399

Website: [www.msbox.com](http://www.msbox.com) E-mail:sariel@msbox.com

## MSDGA EXPANSION JOINT SPEC DATA

### Product Description:

An architectural line of thermal, seismic, waterproof and fire rated expansion joint systems meeting the aesthetic and structural demands of airports, hospitals, shopping malls and other building types.

### BASIC USES:

No.	MS Model	Joint Width (mm)	Location	Thickness of Aluminum Frame(mm)	Plate	Thickness of Plate(mm)	Width of Plate(mm)
1	MSDGA	100	Floor to Floor car parking	2.5	Extruded Aluminum Plate	6.3	300
2	MSDGA	200	Floor to Floor car parking	2.5	Aluminum Sheet	10	450

### TECHNICAL DATA:

#### MATERIALS:

**Material: Aluminum: ASTM 6063T5 anodizing for extrusions, 1060 for sheet and plate.**

### WARRANTY:

Meishuo warrants that its products are manufactured free of defects and conform to the technical data listed. Under this warranty, we will replace any material proven defective when applied in accordance with our written instructions for applications recommended by us as suitable for subject products. Meishuo shall not be liable for any injury, loss or damage, direct or consequential, arising out of the use of the product.



## MEISHUO Building Materials CO.,Ltd

Office: No.2208, Huaqiao Square, Pukou district, Nanjing,China

Tel: 0086-025-58196288

Fax:0086-025-58196399

Website: [www.msbox.com](http://www.msbox.com)

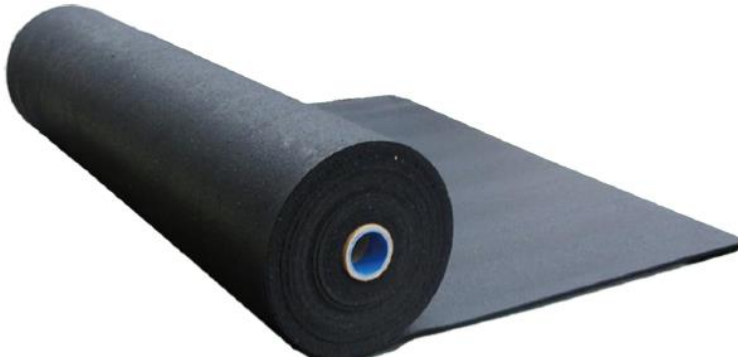
E-mail:sariel@msbox.com

### Water Barrier and Rubber



Water barrier is made of EPDM with high quality.

Rubber: Elastic gasket is used by Santoprene from America. It is qualified under ASTM D2240, ASTM D792, ASTM D412, ASTM D395.



---

### Fire barrier



Meishuo Fire barrier is engineered as high performance fire resistive systems for sealing expansion joint openings. The systems are comprised of a flexible, high purity ceramic fiber blanket and stainless steel foil as required to achieve a specified protection and endurance rating. Systems are secured directly to the structural concrete expansion joint opening. The fire resistant rating can reach 1 hour -4 hours. Different levels of fire barrier can be chosen for different building designs.

